

**Features:**

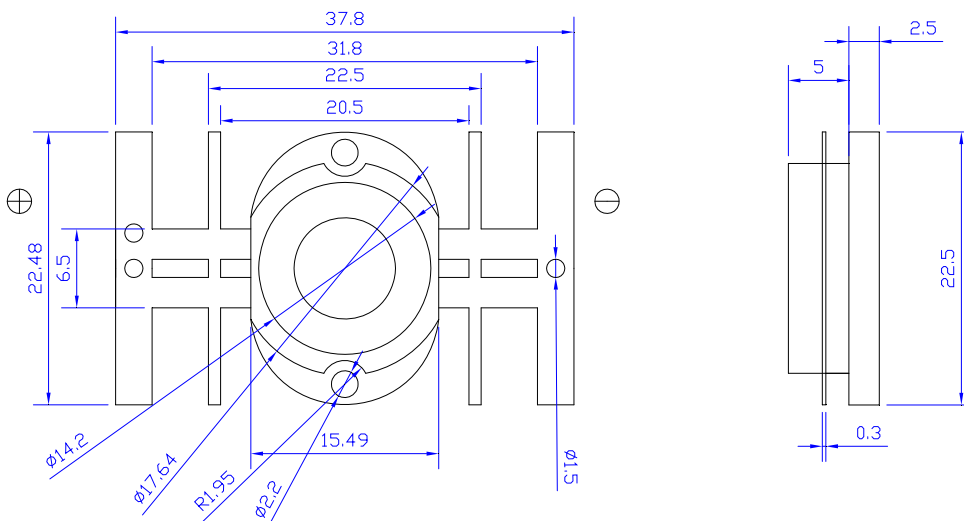
- Highest Flux
- High reliability and Very long operating life
- Low voltage DC operated
- More Energy Efficient than Incandescent and most Halogen lamps
- NO UV
- Superior ESD protection
- RoHS Compliant

**Typical Applications:**

- Lighting
- Portable
- Automobile
- Decorations

**Package Outlines**

Unit: mm



**NOTE:**

- All dimensions are millimeter.
- Tolerance is  $\pm 0.25\text{mm}$  unless noted

**Absolute maximum ratings (Ta = 25°C)**

Parameter	Symbol	Test Condition	Value		Unit
			Min.	Max.	
DC Forward Current	IF	----	----	1400	mA
Power Dissipation	Pd	----	----	20	W
Operating Temperature	Topr	----	-25	+85	°C
Storage Temperature	Tstr	----	-40	+100	°C
ESD Sensitivity	---	HBM	8000	----	V

**Electrical and optical characteristics (Ta = 25°C)**

Parameter	Symbol	Test Condition	Value			Unit
			Min.	Typ.	Max.	
Forward Voltage	VF	IF = 1400mA	13	14	15	V
Luminous Flux	Φv	IF = 1400mA	680	----	----	lm
Color Temperature	CCT	IF = 1400mA	----	3300	----	K

**Luminous Flux Bins (Ta = 25°C) Unit: lm**

Bin	Y	Z	V2
Min	600	700	800
Max	700	800	900

**CCT Bins (Ta = 25°C)**

Bin	W0	W1L	W1H
Min	----	3000K	3300K
Max	3000K	3300K	3600K