

PLEASE CHECK WWW.MOLEX.COM FOR LATEST PART INFORMATION

Part Number: [5018442210](#)
Status: **Active**
Overview: microclasp
Description: 2.00mm (.079") Pitch MicroClasp™ Wire-to-Board Header, Dual Row, Vertical, 22 Circuits, with PCB Locator

Documents:

[3D Model](#) [Product Specification PS-501844-001 \(PDF\)](#)
[Drawing \(PDF\)](#) [RoHS Certificate of Compliance \(PDF\)](#)

General

Product Family	PCB Headers
Series	501844
Application	Wire-to-Board
Overview	microclasp
Product Name	MicroClasp™

Physical

Breakaway	No
Circuits (Loaded)	22
Circuits (maximum)	22
Color - Resin	Natural
Durability (mating cycles max)	30
First Mate / Last Break	No
Glow-Wire Compliant	No
Guide to Mating Part	No
Keying to Mating Part	None
Lock to Mating Part	Yes
Material - Plating Mating	Tin
Material - Resin	Polyester
Number of Rows	2
Orientation	Vertical
PC Tail Length (in)	0.126 In
PC Tail Length (mm)	3.20 mm
PCB Locator	Yes
PCB Retention	None
PCB Thickness Recommended (in)	0.047 In
PCB Thickness Recommended (mm)	1.60 mm
Packaging Type	Tray
Pitch - Mating Interface (in)	0.079 In
Pitch - Mating Interface (mm)	2.00 mm
Polarized to Mating Part	Yes
Polarized to PCB	Yes
Shrouded	Fully
Stackable	No
Surface Mount Compatible (SMC)	No
Temperature Range - Operating	-25°C to +85°C
Termination Interface: Style	Through Hole

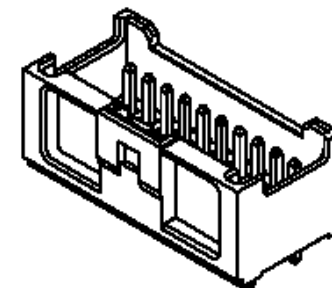
Electrical

Current - Maximum per Contact	3A
Voltage - Maximum	250V

Material Info

Reference - Drawing Numbers

Packaging Specification	SPK-501844-001
-------------------------	----------------



Series

image - Reference only

EU RoHS

ELV and RoHS Compliant
REACH SVHC
Contains SVHC: No
Halogen-Free
Status

China RoHS



Need more information on product environmental compliance?

Email productcompliance@molex.com
 For a multiple part number RoHS Certificate of Compliance, [click here](#)

Please visit the [Contact Us](#) section for any non-product compliance questions.

Search Parts in this Series

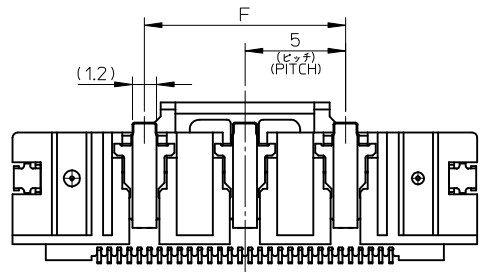
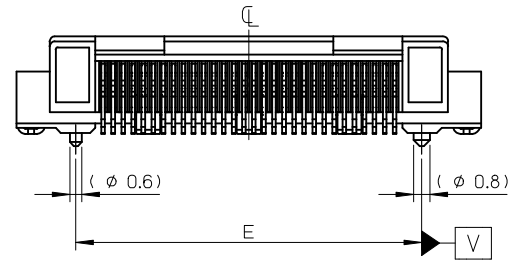
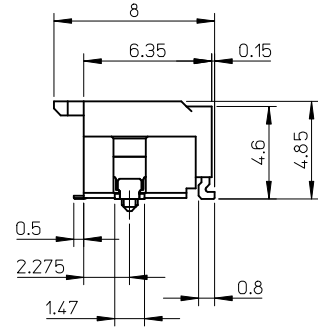
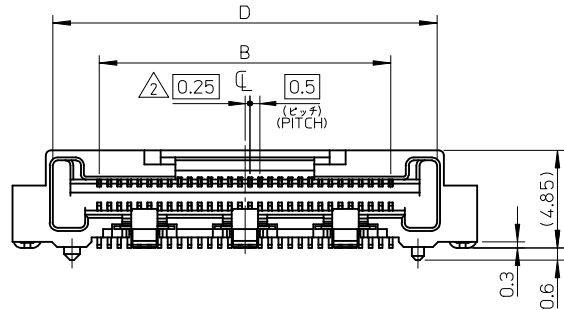
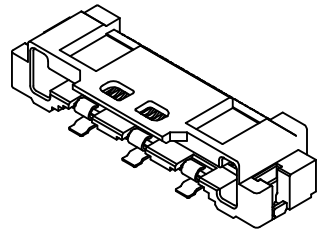
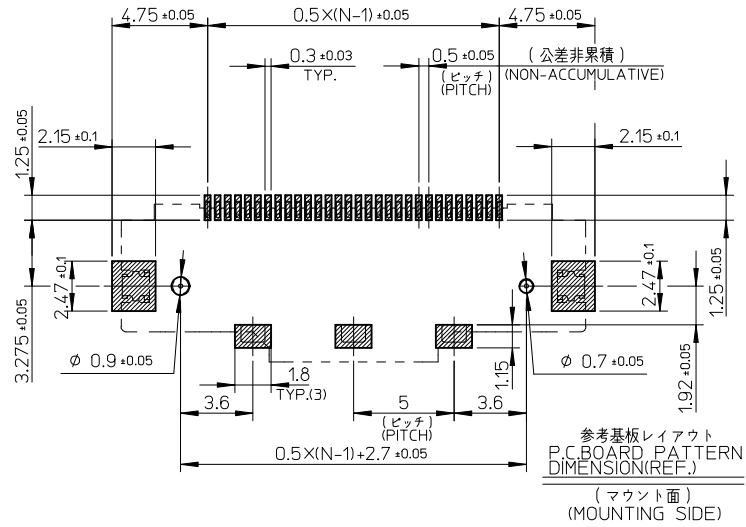
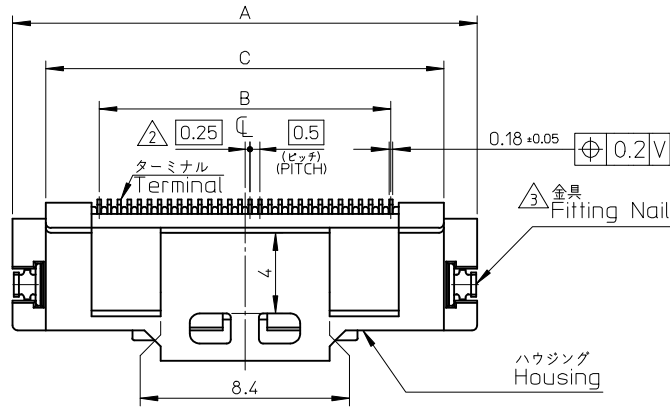
[501844Series](#)

Mates With

[51353](#) MicroClasp™ Wire-to-Board Receptacle Housing

This document was generated on 05/26/2010

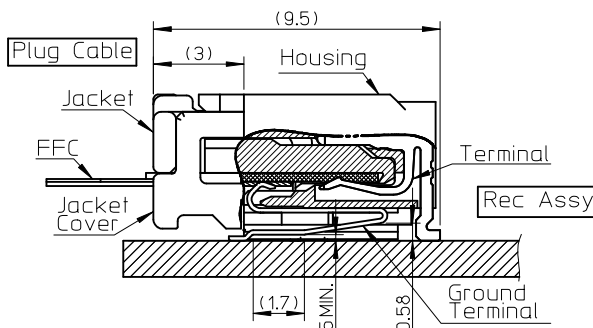
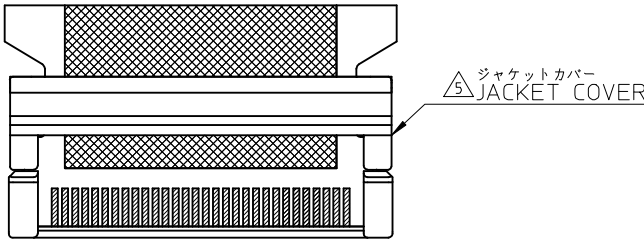
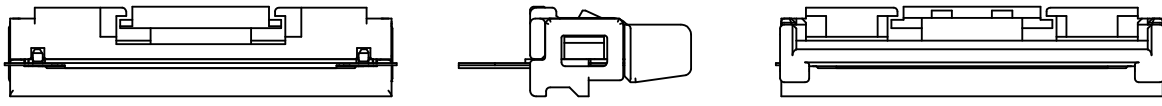
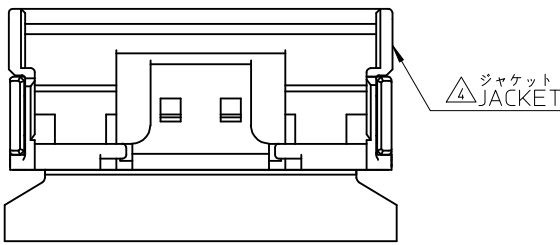
PLEASE CHECK WWW.MOLEX.COM FOR LATEST PART INFORMATION



3	10	17.2	19.1	19.8	14.5	23.1	501864-3091	30						
QTY OF Ground Terminal							F	E	D	C	B	A	EMBOSSED TAPE PKG.	極数 CIRCUIT
ORDER No. オーダー番号														

CONNECTOR SERIES No. 501864-xx31

REVISED EC NO: J2010-0779 DRWN: NISHI 2009/10/19 CHKD: MATSUURA 2009/10/19 APPR: MORIKAWA 2009/10/19	DESCRIPTION GENERAL TOLERANCES (UNLESS SPECIFIED) 10 UNDER ±0.2 10 OVER 30 UNDER ±0.25 30 OVER ±0.3 ANGULAR ±1 ° DRAFT WHERE APPLICABLE MUST REMAIN WITHIN DIMENSIONS	DIMENSION STYLE MM ONLY		SCALE //	DESIGN UNITS METRIC	THIRD ANGLE PROJECTION	
		DRAWN BY H. IJIMA	DATE 07/12/25	TITLE 0.5 FFC TO BOARD CONN REC. HSG ASSY(RA)			
		CHECKED BY K. MORIKAWA	DATE 07/12/25	MOLEX INCORPORATED			
		APPROVED BY H. HIRATA	DATE 07/12/25	MATERIAL NO. SEE CHART	DOCUMENT NO. SD-501864-008	SHEET NO. 1 OF 2	
THIS DRAWING CONTAINS INFORMATION THAT IS PROPRIETARY TO MOLEX INCORPORATED AND SHOULD NOT BE USED WITHOUT WRITTEN PERMISSION							

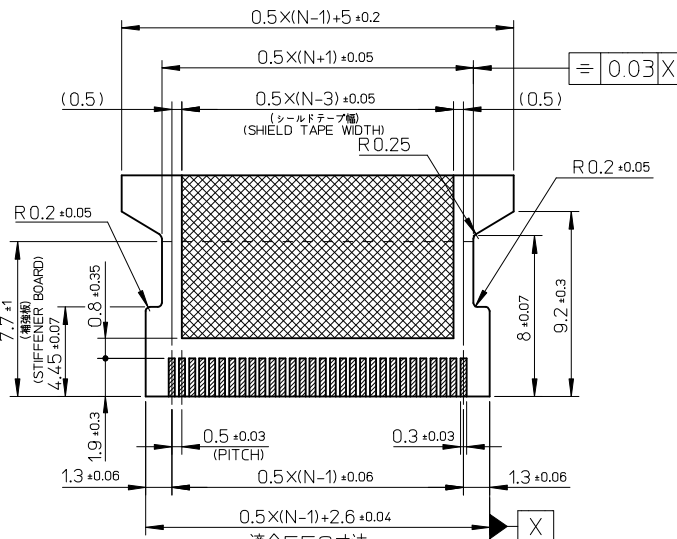


嵌合断面図
MATED CONNECTOR SECTION

注記
NOTE

1. 使用材料 MATERIAL
- ハウジング HOUSING : 液晶ポリマー (LCP), ガラス充填, UL94V-0 色: 黒色
LIQUID CRYSTAL POLYMER(LCP), GLASS FILLED, UL94V-0 COLOR: BLACK
- ターミナル TERMINAL : 燐青銅 (t=0.18)
PHOSPHOR BRONZE (t=0.18)
- メッキ仕様 PLATING
接点部: 金メッキ 0.1マイクロメートル以上
CONTACT AREA: GOLD 0.1 MICROMETER MINIMUM
半田付け部: 金メッキ 0.05マイクロメートル以上
SOLDER TAIL AREA: GOLD 0.05 MICROMETER MINIMUM
下地メッキ: ニッケルメッキ 1.0マイクロメートル以上
UNDER PLATING: NICKEL 1.0 MICROMETER MINIMUM
- 金具 FITTING NAIL : 燐青銅 (t=0.25)
PHOSPHOR BRONZE (t=0.25)
錫メッキ 1.0マイクロメートル以上
TIN 1.0 MICROMETER MINIMUM
下地メッキ: ニッケルメッキ 1.0マイクロメートル以上
UNDER PLATING: NICKEL 1.0 MICROMETER MINIMUM
- グラウンド端子 GROUND TERMINAL : 燐青銅 (t=0.15)
PHOSPHOR BRONZE (t=0.15)
錫メッキ 1.0マイクロメートル以上
TIN 1.0 MICROMETER MINIMUM
下地メッキ: ニッケルメッキ 1.0マイクロメートル以上
UNDER PLATING: NICKEL 1.0 MICROMETER MINIMUM

- △ N=偶数に適用 (N: 極数)
APPLY FOR N-EVEN IN CIRCUIT
- △ 3 パターン剥離止め用金具
FITTING NAIL FOR PREVENTION OF PEELING OF P.C.B PATTERN.
- △ 4 適合ジャケット: SD-501783-**09
製品詳細寸法はSD-501783-004を参照下さい。
APPLICABLE JACKET: SD-501783-**09.
RE DETAILED DIMENSION, SEE SD-501783-004.
- △ 5 適合ジャケットカバー: SD-501784-**08
製品詳細寸法はSD-501784-005を参照下さい。
APPLICABLE JACKET: SD-501784-**08.
RE DETAILED DIMENSION, SEE SD-501784-005.
6. ELV及びRoHS適合品
ELV AND RoHS COMPLIANT



コネクタ接点部 CONTACT AREA
シールド部 SHIELD AREA

適合FFC寸法 RECOMMENDED DIMENSION
APPLICABLE FFC
(仕上がり厚さ: コネクタ接点部 0.3 ± 0.03)
: シールド部 0.44 ± 0.05)
(THICKNESS: CONTACT AREA 0.3 ± 0.03)
SHIELD AREA 0.44 ± 0.05)

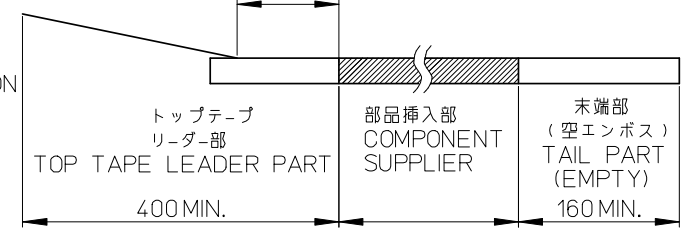
REVISED EC NO: J2010-0779 DRWN: NISHI 2009/10/19 CHKD: MATSUURA 2009/10/19 APPR: MORIKAWA 2009/10/19	DESCRIPTION	GENERAL TOLERANCES (UNLESS SPECIFIED)		DIMENSION STYLE MM ONLY		SCALE	DESIGN UNITS	THIRD ANGLE PROJECTION
		10 UNDER	± 0.2	DRAWN BY	DATE	TITLE		
		10 OVER 30 UNDER	± 0.25	CHECKED BY	DATE	0.5 FFC TO BOARD CONN REC. HSG ASSY (RA)		
		30 OVER	± 0.3	APPROVED BY	DATE			
REV	DESCRIPTION	ANGULAR	± 1 °	MATERIAL NO.	SEE SHEET 1	DOCUMENT NO.	SD-501864-008	SHEET NO. 2 OF 2
		DRAFT WHERE APPLICABLE MUST REMAIN WITHIN DIMENSIONS		SIZE	A3	THIS DRAWING CONTAINS INFORMATION THAT IS PROPRIETARY TO MOLEX INCORPORATED AND SHOULD NOT BE USED WITHOUT WRITTEN PERMISSION		

NOTES

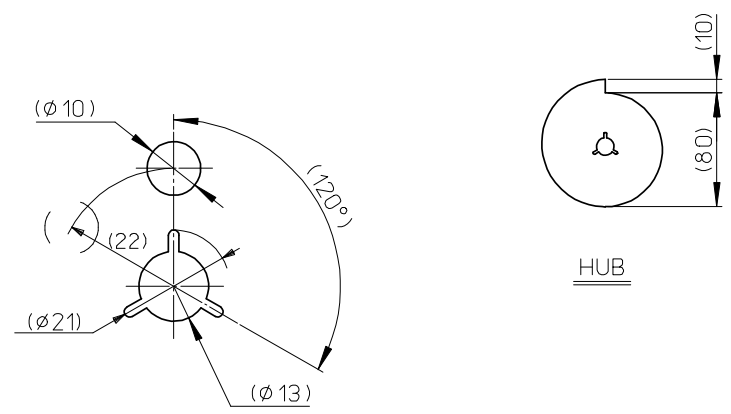
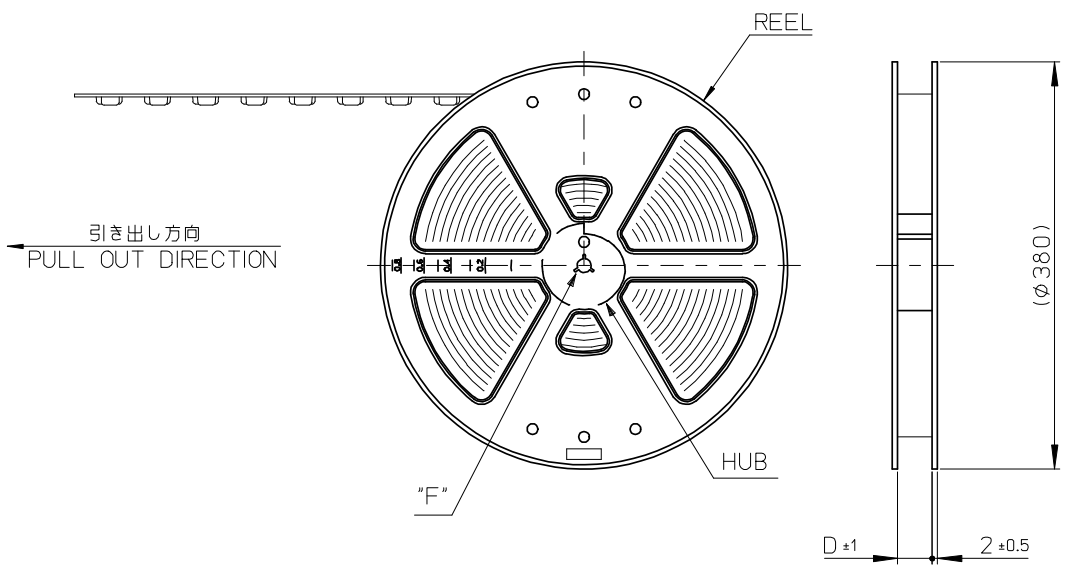
1. 梱包数量： 900 個/リール
NUMBER OF CONNECTORS:900 PCS/REEL
2. リードテープ長さ
LEAD TAPE LENGTH

トップテープ接着部
TOP TAPE BONDED PART
(空エンボス)
(EMPTY)
100 MIN.

引き出し方向
PULL OUT DIRECTION



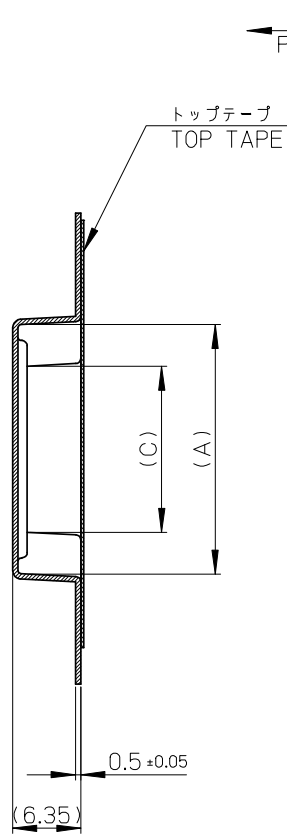
3. 製品詳細寸法については図面 SD-501864-008を参照下さい。
RE DETAILED DIMENSION, SEE SD-501864-008.
4. 材料(MATERIAL)
キャリアテープ(CARRIER TAPE) : ポリスチレン(POLYSTYRENE)
トップテープ(TOP TAPE) : PET, PE, PE
リール(REEL) : ポリスチレン(POLYSTYRENE)
5. ELV及びRoHS適合品
ELV AND RoHS COMPLIANT



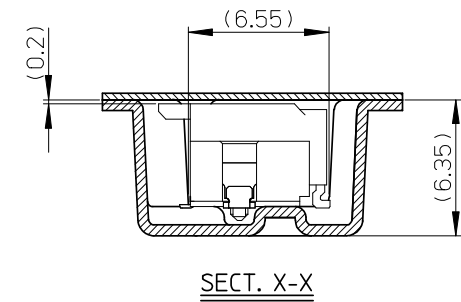
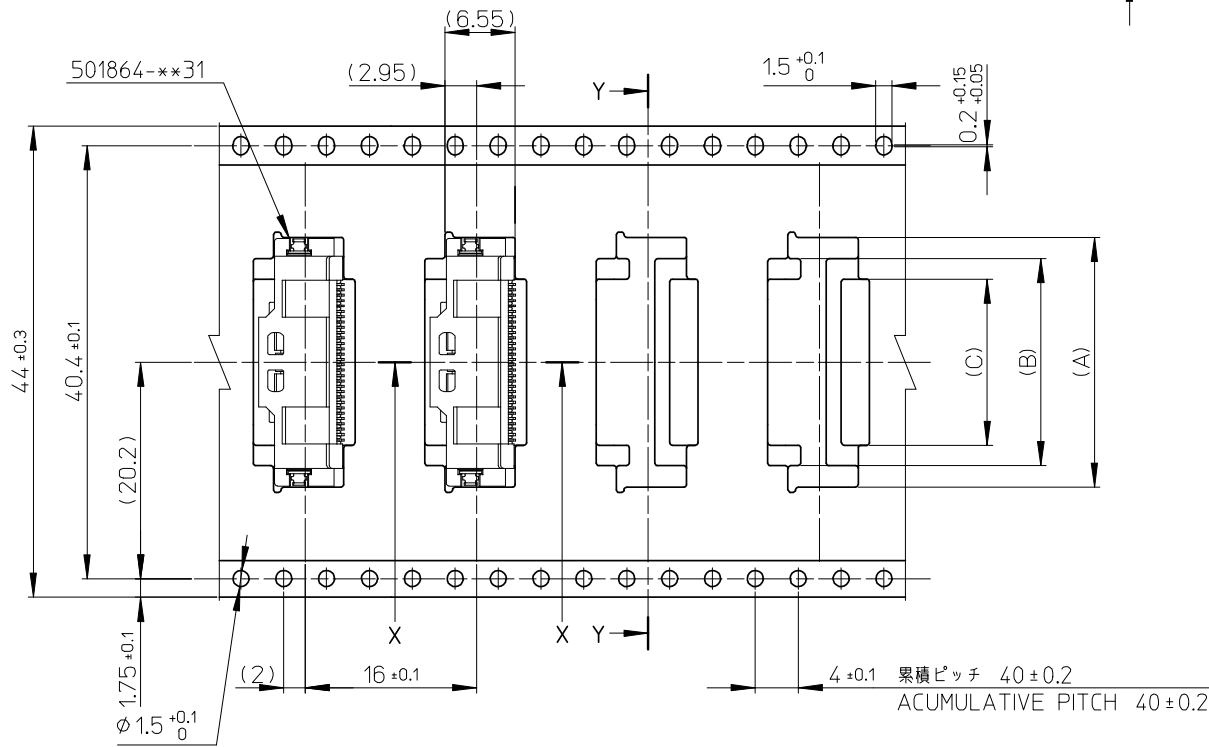
DETAIL "F"

501864-**91 MODEL NO.

RELEASED EC NO: J2008-2552 DRW:KSETO 2007/12/25 CHK:KMORIKAWA 2007/12/25 APPR:KMORIKAWA 2007/12/26	GENERAL TOLERANCES (UNLESS SPECIFIED)		DIMENSION STYLE MM ONLY		SCALE ---	DESIGN UNITS METRIC	THIRD ANGLE PROJECTION	
	10 UNDER	±0.2	DRAWN BY H. IJIMA	DATE 07/12/25	TITLE EMBSTP PKG FOR 0.5 FFC TO BOARD CONN RA TYPE			
	10 OVER 30 UNDER	±0.25	CHECKED BY K. MORIKAWA	DATE 07/12/25				
	30 OVER	±0.3	APPROVED BY H. HIRATA	DATE 07/12/25	MOLEX INCORPORATED			
	ANGULAR	±1	MATERIAL NO. 501864-**91					
DRAFT WHERE APPLICABLE MUST REMAIN WITHIN DIMENSIONS		SIZE A3	THIS DRAWING CONTAINS INFORMATION THAT IS PROPRIETARY TO MOLEX INCORPORATED AND SHOULD NOT BE USED WITHOUT WRITTEN PERMISSION					



引き出し方向
PULL OUT DIRECTION



44mm幅キャリアテープ
44mm WIDTH CARRIER TAPE

44	45.4	15.6	19.3	23.3	501864-3091	30
キャリアテープ幅 CARRIER TAPE WIDTH	D	C	B	A	製品番号 MATERIAL NO.	極数 CKT

SEE SHEET 1 OF 2 EC NO: J2008-2552 DRWN:KSETO 2007/12/25 CH'KD:KMORIKAWA 2007/12/25 APPR:KMORIKAWA 2007/12/26	GENERAL TOLERANCES (UNLESS SPECIFIED)		DIMENSION STYLE MM ONLY		SCALE ---	DESIGN UNITS METRIC	THIRD ANGLE PROJECTION	
	10 UNDER	±0.2	DRAWN BY	DATE	TITLE			
	10 OVER 30 UNDER	±0.25	K. MORIKAWA	07/12/25	EMBSTP PKG FOR 0.5 FFC TO BOARD CONN RA TYPE			
	30 OVER	±0.3	H. HIRATA	07/12/25	MOLEX INCORPORATED			
	ANGULAR	±1	MATERIAL NO.	DOCUMENT NO.	SHEET NO.			
DRAFT WHERE APPLICABLE MUST REMAIN WITHIN DIMENSIONS		SIZE A3	THIS DRAWING CONTAINS INFORMATION THAT IS PROPRIETARY TO MOLEX INCORPORATED AND SHOULD NOT BE USED WITHOUT WRITTEN PERMISSION				2 OF 2	