

PLEASE CHECK WWW.MOLEX.COM FOR LATEST PART INFORMATION

Part Number: [0353010454](#)
Status: **Active**
Description: 2.50mm (.098") Pitch SPOX™ Wire-to-Board Header, Vertical, Shrouded, Tube Packaged Version of 5267, 4 Circuits, Tin (Sn) Plating, with Swaged PC Tails, Blue

Documents:

[3D Model](#) [Product Specification PS-35301-001 \(PDF\)](#)
[Drawing \(PDF\)](#) [RoHS Certificate of Compliance \(PDF\)](#)

Agency Certification

CSA LR 19980
 UL E29179

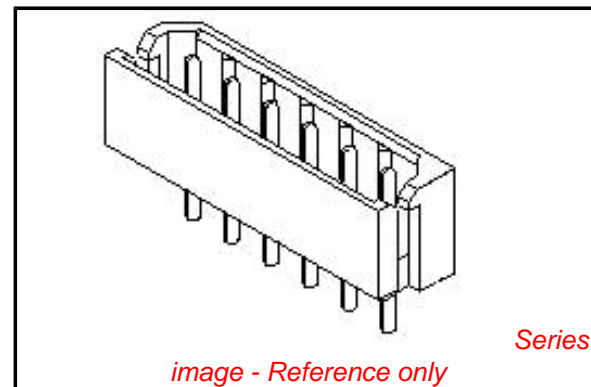
General

Product Family PCB Headers
 Series [35301](#)
 Application Wire-to-Board
 Product Name SPOX™

Physical

Breakaway No
 Circuits (Loaded) 2
 Circuits (maximum) 2
 Color - Resin Natural
 Durability (mating cycles max) 30
 First Mate / Last Break No
 Flammability 94V-0
 Glow-Wire Compliant No
 Guide to Mating Part No
 Keying to Mating Part None
 Lock to Mating Part Yes
 Material - Plating Mating Tin
 Material - Plating Termination Tin
 Material - Resin Nylon
 Number of Rows 1
 Orientation Vertical
 PCB Locator No
 PCB Retention Yes
 PCB Thickness Recommended (in) 0.062 In
 PCB Thickness Recommended (mm) 1.60 mm
 Packaging Type Tube
 Pitch - Mating Interface (in) 0.098 In
 Pitch - Mating Interface (mm) 2.50 mm
 Plating min: Mating (µin) 160
 Plating min: Mating (µm) 4
 Plating min: Termination (µin) 160
 Plating min: Termination (µm) 4
 Polarized to Mating Part Yes
 Polarized to PCB No
 Shrouded Partial
 Stackable No
 Surface Mount Compatible (SMC) No
 Temperature Range - Operating -40°C to +105°C
 Termination Interface: Style Through Hole

Electrical



EU RoHS

ELV and RoHS Compliant
REACH SVHC
 Not Reviewed
Halogen-Free Status

China RoHS



Not Halogen-Free

Need more information on product environmental compliance?

Email productcompliance@molex.com
 For a multiple part number RoHS Certificate of Compliance, [click here](#)

Please visit the [Contact Us](#) section for any non-product compliance questions.

Search Parts in this Series

[35301Series](#)

Mates With

[5264](#) SPOX™ Wire-to-Board Crimp Housing. [42219](#) SPOX™ IDT Receptacle Housing

Current - Maximum per Contact
Voltage - Maximum

3A
250V

Material Info

Reference - Drawing Numbers

Product Specification
Sales Drawing

PS-35301-001
SD-35301-001, SD-35301-013

This document was generated on 04/13/2010

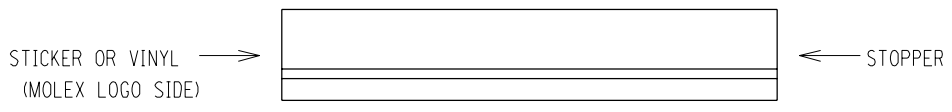
PLEASE CHECK WWW.MOLEX.COM FOR LATEST PART INFORMATION

DWG. NO. SD-35301-001

SIMILAR ITEM

PROJECT NO.

5 4 3 2 1



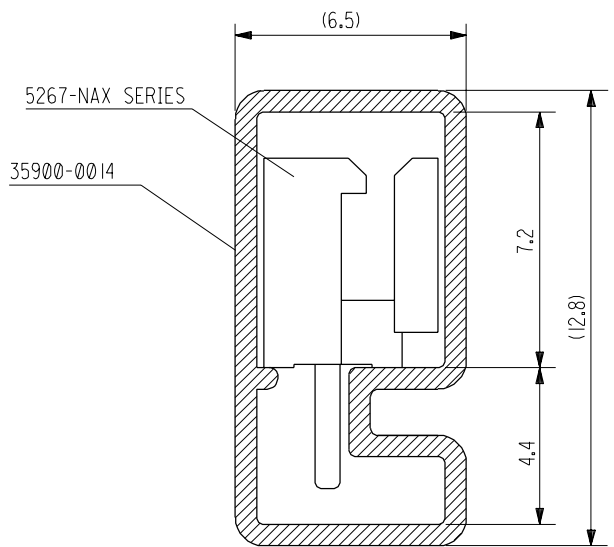
VIEW V

NOTES

1. PACKING TYPE : STOPPER & STICKER LOCKING TYPE(GENERAL)
: VINYL & STOPPER LOCKING TYPE(FOR S/S)
2. THICKNESS : 0.6 †
3. LENGTH : 550 mm

LEGEND

35301- ** 5 *
 COLOR : 0 --- NATURAL
 1 --- BLACK
 2 --- RED
 3 --- YELLOW
 4 --- BLUE
 CKT (02 , 03 , 04)



15	35301-155*	35301155*	10
14	-145*	35301145*	10
13	-135*	35301135*	15
12	-125*	35301125*	15
11	-115*	35301115*	15
10	-105*	35301105*	15
9	-095*	35301095*	20
8	-085*	35301085*	20
7	-075*	35301075*	25
6	-065*	35301065*	30
5	-055*	35301055*	35
4	-045*	35301045*	40
3	-035*	35301035*	50
2	35301-025*	35301025*	70
CKTS	ENG. NO.	MAT'L NO.	Q'TY/TUBE

NEW RELEASED EC NO. KOR2001-0048 DRWN: K.S.KIM (011130) CHK: J.K.OH APPR: C.W.LEE	QUALITY SYMBOLS MAJOR = CRITICAL =	GENERAL TOLERANCES: (UNLESS SPECIFIED)		SCALE NONE	DESIGN UNITS <input checked="" type="checkbox"/> mm <input type="checkbox"/> INCH	THIRD ANGLE PROJECTION	DIMENSIONS: <input type="checkbox"/> mm <input type="checkbox"/> INCH <input checked="" type="checkbox"/> mm ONLY		SHT	REV
		4 PLACES	±0.	±.	DRAWN BY & DATE K.S.KIM (011130)		TITLE: TUBE PACKAGED FOR 5267-NAX SERIES			
3 PLACES	±0.	±.	CHECKED BY & DATE J.K.OH		MOLEX INCORPORATED KOREA					
2 PLACES	±0.	±.	APPROVED BY & DATE C.W.LEE						MATERIAL NO. SEE TABLE	DRAWING NO. SD-35301-001
1 PLACE	±0.4	±.	ANGULAR: ± 3 °		THIS DRAWING CONTAINS INFORMATION THAT IS PROPRIETARY TO MOLEX INCORPORATED AND SHOULD NOT BE USED WITHOUT WRITTEN PERMISSION.				SIZE A	
DRAFT WHERE APPLICABLE MUST REMAIN WITHIN DIMENSIONS										

5 4 3 2 1 MX-A4

DO NOT SCALE DRAWING
DIMENSION IN METRIC

B

C

PROJECT NO.

SIMILAR ITEM

DWG. NO.

8 7 6 5 4 3 2 1

F

E

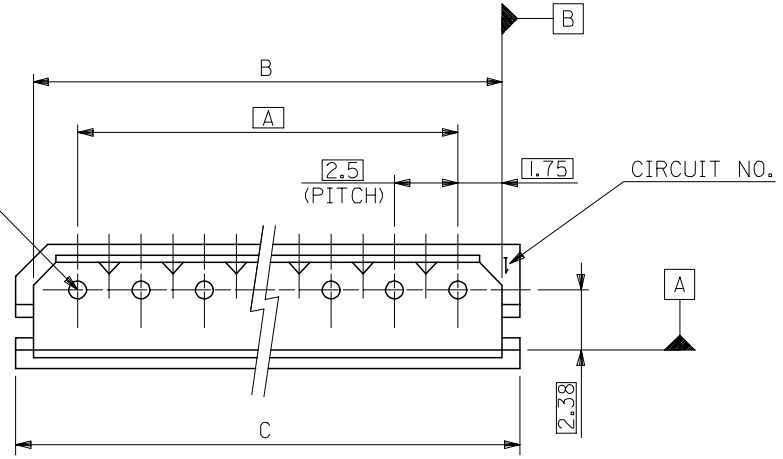
D

C

B

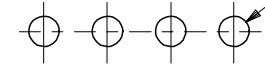
A

⊕ ∅ 0.6 A B



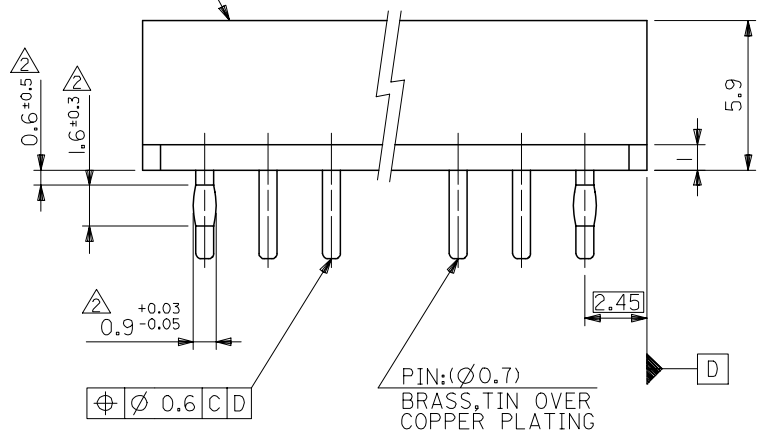
(NON-ACCUMULATIVE)
2.5 ±0.1
(PITCH)

∅ 0.8 ~ ∅ 0.9
(PUNCHED)

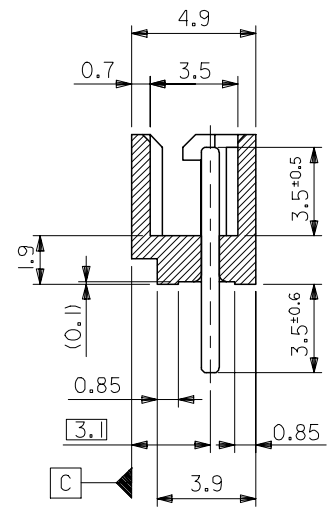


RECOMMENDED P.C. BOARD HOLE DIM.
(t=1.6)

WAFER: 66NYLON, GLASS REINFORCED, UL94V-0



⊕ ∅ 0.6 C D



52.4	51	47.5	20
49.9	48.5	45	19
47.4	46	42.5	18
44.9	43.5	40	17
42.4	41	37.5	16
39.9	38.5	35	15
37.4	36	32.5	14
34.9	33.5	30	13
32.4	31	27.5	12
29.9	28.5	25	11
27.4	26	22.5	10
24.9	23.5	20	9
22.4	21	17.5	8
19.9	18.5	15	7
17.4	16	12.5	6
14.9	13.5	10	5
12.4	11	7.5	4
9.9	8.5	5	3
7.4	6	2.5	2
DIM. C	DIM. B	DIM. A	NO. OF CKTS.

ANGLE	±3°
30 OVER	±0.3
10 OVER 30 UNDER	±0.25
10 UNDER	±0.2
GENERAL TOLERANCES	

NEW RELEASED
ECN NO. KOR2006-0082
DRWN: K.S.KIM (060102)
CHK: Y.Soo.KIM
APPR: SH.CHOI

QUALITY SYMBOLS
MAJOR
CRITICAL

GENERAL TOLERANCES: (UNLESS SPECIFIED)	
4 PLACES	±0. ±-
3 PLACES	±0. ±-
2 PLACES	±0. ±-
1 PLACE	±0. ±-
ANGULAR: ± °	
DRAFT WHERE APPLICABLE MUST REMAIN WITHIN DIMENSIONS	

SCALE 5 - 1
DESIGN UNITS mm INCH
DRAWN BY & DATE K.S.KIM (060102)
CHECKED BY & DATE Y.Soo.KIM
APPROVED BY & DATE SH.CHOI
CAD FILENAME

THIRD ANGLE PROJECTION
TITLE: 2.5 LOW PROFILE WAFER ASS'Y WITH COIN (DYED COLOR)
MOLEX INCORPORATED
MATERIAL NO. DRAWING NO. SD-35301-013 SHEET NO. 1 OF 2
THIS DRAWING CONTAINS INFORMATION THAT IS PROPRIETARY TO MOLEX INCORPORATED AND SHOULD NOT BE USED WITHOUT WRITTEN PERMISSION.
KOREA MX-A3

8 7 6 5 4 3 2 1 KOREA MX-A3

8 7 6 5 4 3 2 1

NOTES:

- 1. MATES WITH : 5264 SERIES.
- △ APPLIES : PIN, BOTH ENDS
- 3. LEGEND

[AFTER TUBE PACKING] [BEFORE TUBE PACKING]

35301- ** 5 * 5267-NA-X-**

CKT NO.

DYED COLOR CODE

- 1 — BLACK — BL
- 2 — RED — RE
- 3 — YELLOW — YE
- 4 — BLUE — BU

DWG. NO.

SIMILAR ITEM

PROJECT NO.

C

B

DO NOT SCALE DRAWING DIMENSION IN METRIC

F

E

D

C

B

A

39-32-5152	5267-15A-X-BU	35301-1554	39-32-5155	5267-15A-X-YE	35301-1553	39-32-5154	5267-15A-X-RE	35301-1552	39-32-5151	5267-15A-X-BL	35301-1551	15
▲ -5142	▲ -14A-X-BU	35301-1454	▲ -5145	▲ -14A-X-YE	35301-1453	▲ -5144	▲ -14A-X-RE	35301-1452	▲ -5141	▲ -14A-X-BL	35301-1451	14
-5132	-13A-X-BU	35301-1354	-5135	-13A-X-YE	35301-1353	-5134	-13A-X-RE	35301-1352	-5131	-13A-X-BL	35301-1351	13
-5122	-12A-X-BU	35301-1254	-5125	-12A-X-YE	35301-1253	-5124	-12A-X-RE	35301-1252	-5121	-12A-X-BL	35301-1251	12
-5112	-11A-X-BU	35301-1154	-5115	-11A-X-YE	35301-1153	-5114	-11A-X-RE	35301-1152	-5111	-11A-X-BL	35301-1151	11
-5102	-10A-X-BU	35301-1054	-5105	-10A-X-YE	35301-1053	-5104	-10A-X-RE	35301-1052	-5101	-10A-X-BL	35301-1051	10
-5092	-09A-X-BU	35301-0954	-5095	-09A-X-YE	35301-0953	-5094	-09A-X-RE	35301-0952	-5091	-09A-X-BL	35301-0951	9
-5082	-08A-X-BU	35301-0854	-5085	-08A-X-YE	35301-0853	-5084	-08A-X-RE	35301-0852	-5081	-08A-X-BL	35301-0851	8
-5072	-07A-X-BU	35301-0754	-5075	-07A-X-YE	35301-0753	-5074	-07A-X-RE	35301-0752	-5071	-07A-X-BL	35301-0751	7
-5062	-06A-X-BU	35301-0654	-5065	-06A-X-YE	35301-0653	-5064	-06A-X-RE	35301-0652	-5061	-06A-X-BL	35301-0651	6
-5052	-05A-X-BU	35301-0554	-5055	-05A-X-YE	35301-0553	-5054	-05A-X-RE	35301-0552	-5051	-05A-X-BL	35301-0551	5
-5042	-04A-X-BU	35301-0454	-5045	-04A-X-YE	35301-0453	-5044	-04A-X-RE	35301-0452	-5041	-04A-X-BL	35301-0451	4
▼ -5032	▼ -03A-X-BU	35301-0354	▼ -5035	▼ -03A-X-YE	35301-0353	▼ -5034	▼ -03A-X-RE	35301-0352	▼ -5031	▼ -03A-X-BL	35301-0351	3
39-32-5022	5267-02A-X-BU	35301-0254	39-32-5025	5267-02A-X-YE	35301-0253	39-32-5024	5267-02A-X-RE	35301-0252	39-32-5021	5267-02A-X-BL	35301-0251	2

EDP NO.	ENG. NO.	ENG NO.	EDP NO.	ENG. NO.	ENG NO.	EDP NO.	ENG. NO.	ENG NO.	EDP NO.	ENG. NO.	ENG NO.	CKT
5267-NA-X-BU			5267-NA-X-YE			5267-NA-X-RE			5267-NA-X-BL			
APPLIED CONNECTOR			APPLIED CONNECTOR			APPLIED CONNECTOR			APPLIED CONNECTOR			

ANGLE	±3°
30 OVER	±0.3
10 OVER 30 UNDER	±0.25
10 UNDER	±0.2
GENERAL TOLERANCES	

NEW RELEASED
ECN NO. KOR2006-0082
DRWN: K.S.KIM (060102)
CHK: Y.Soo.KIM
APPR: S.H.CHOI

DESCRIPTION

REV

A

QUALITY SYMBOLS

MAJOR

CRITICAL

GENERAL TOLERANCES: (UNLESS SPECIFIED)

	mm	INCH
4 PLACES	±0.	±.
3 PLACES	±0.	±.
2 PLACES	±0.	±.
1 PLACE	±0.	±.

ANGULAR: ± °

DRAFT WHERE APPLICABLE MUST REMAIN WITHIN DIMENSIONS

SCALE 5 - 1

DESIGN UNITS mm INCH

THIRD ANGLE PROJECTION

DRAWN BY & DATE
K.S.KIM (060102)

CHECKED BY & DATE
Y.Soo.KIM

APPROVED BY & DATE
S.H.CHOI

CAD FILENAME

DIMENSIONS: mm INCH mm ONLY

REVISE ON CAD ONLY

TITLE: 2.5 LOW PROFILE WAFER ASS'Y WITH COIN (DYED COLOR)

MOLEX INCORPORATED

MATERIAL NO. DRAWING NO. SHEET NO.
SD-35301-013 2 OF 2

THIS DRAWING CONTAINS INFORMATION THAT IS PROPRIETARY TO MOLEX INCORPORATED AND SHOULD NOT BE USED WITHOUT WRITTEN PERMISSION.

SIZE B

8 7 6 5 4 3 2 1 KOREA MX-A3