

PLEASE CHECK WWW.MOLEX.COM FOR LATEST PART INFORMATION

Part Number: [0471518021](#)
Status: **Active**
Overview: high definition multimedia interface hdmi
Description: 0.50mm (.020") Pitch HDMI* Receptacle, Right Angle, 0.76µm (30µ") Gold (Au) Plating, Mounted Height 16.08mm (.633"), Shell Nickel (Ni) Plated, with Flange and Back Cover, Solder Tabs with Dimples, Black Housing, Tray Packaging, Lead Free

Documents:

[3D Model](#) [Product Specification PS-47152-001 \(PDF\)](#)
[Drawing \(PDF\)](#) [RoHS Certificate of Compliance \(PDF\)](#)

General

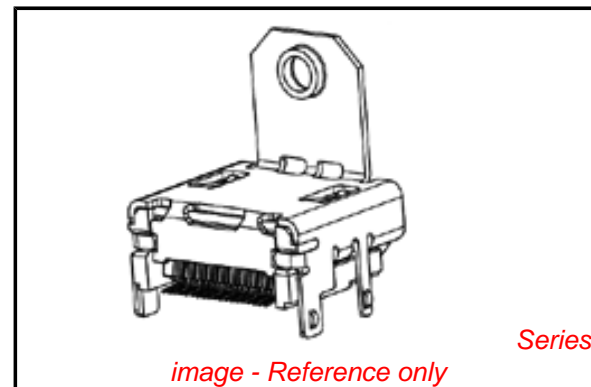
Product Family	I/O Connectors
Series	47151
Application	Wire-to-Board
Component Type	Receptacle
Overview	high definition multimedia interface hdmi
Product Name	HDMI
Type	N/A

Physical

Boot Color	N/A
Circuits (Loaded)	19
Color - Resin	Black
Gender	Male
Keying to Mating Part	Yes
Lock to Mating Part	Yes
Material - Metal	Copper Alloy
Material - Plating Mating	Gold
Material - Plating Termination	Tin-Bismuth
Material - Resin	High Temperature Thermoplastic
Number of Rows	2
Orientation	Right Angle
PCB Locator	No
PCB Retention	Yes
Packaging Type	Tray
Panel Mount	With Flange
Pitch - Mating Interface (in)	0.020 In
Pitch - Mating Interface (mm)	0.50 mm
Pitch - Term. Interface (in)	0.020 In
Pitch - Term. Interface (mm)	0.50 mm
Plating min: Mating (µin)	30
Plating min: Mating (µm)	0.76
Plating min: Termination (µin)	40
Plating min: Termination (µm)	1
Polarized to Mating Part	Yes
Polarized to PCB	Yes
Ports	1
Temperature Range - Operating	-20°C to +85°C
Termination Interface: Style	Surface Mount
Waterproof / Dustproof	No
Wire Size AWG	N/A

Electrical

Current - Maximum per Contact	.5A
Shielded	Yes



EU RoHS

**ELV and RoHS
Compliant**
REACH SVHC
 Not Reviewed
**Halogen-Free
Status**
 Not Reviewed

China RoHS



**Need more information on product
environmental compliance?**

Email productcompliance@molex.com
 For a multiple part number RoHS Certificate of Compliance, [click here](#)

Please visit the [Contact Us](#) section for any non-product compliance questions.

Search Parts in this Series

[47151Series](#)

Mates With

[88768](#) HDMI cable assembly, [88764](#) HDMI Adapter, [88767](#) HDMI Adapter

Voltage - Maximum 40V DC

Solder Process Data

Duration at Max. Process Temperature (seconds)	48
Lead-free Process Capability	Reflow Capable (SMT only)
Max. Cycles at Max. Process Temperature	2
Process Temperature max. C	255

Material Info

Reference - Drawing Numbers

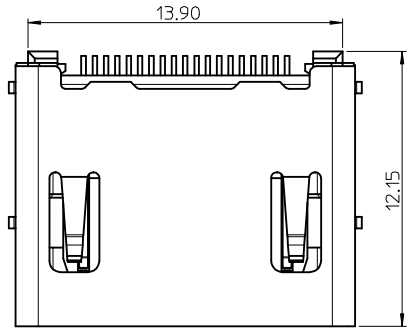
Packaging Specification	PK-47151-002
Product Specification	PS-47152-001
Sales Drawing	SD-47151-101

* High Definition Multimedia Interface and HDMI are trademarks of HDMI Licensing, LLC.

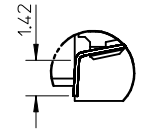
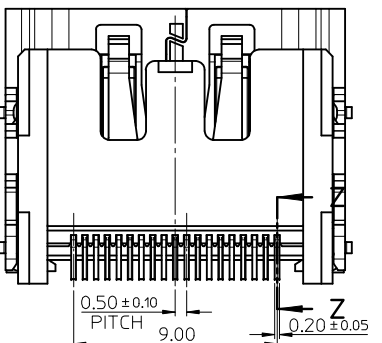
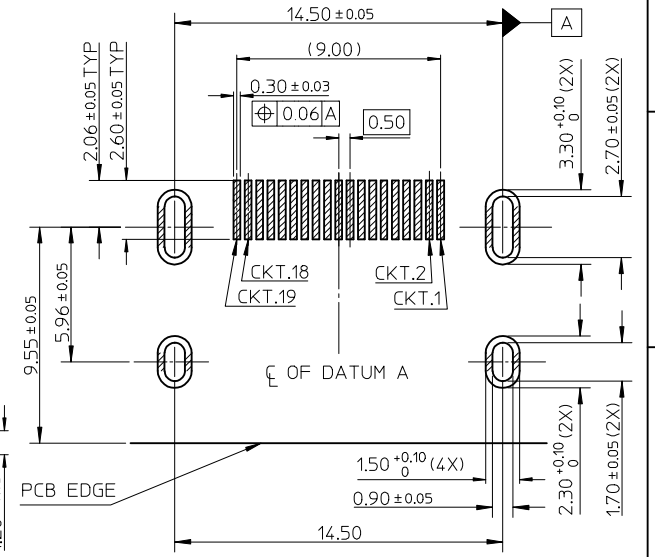
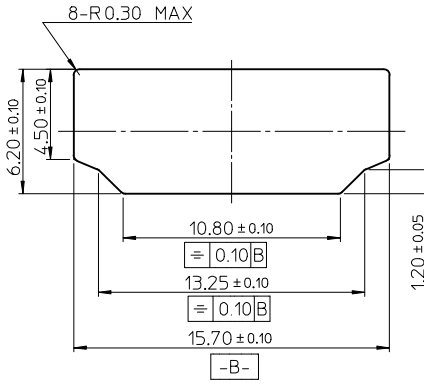
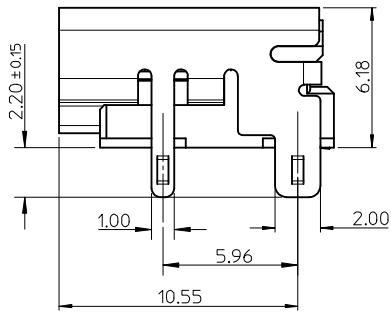
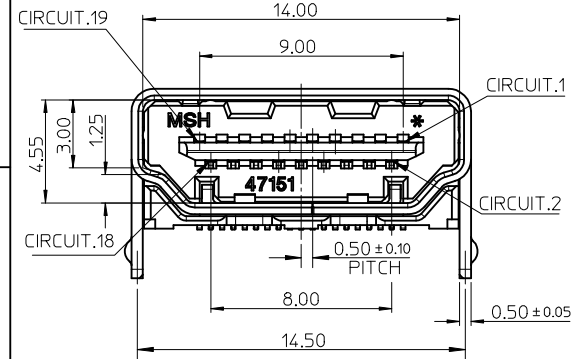
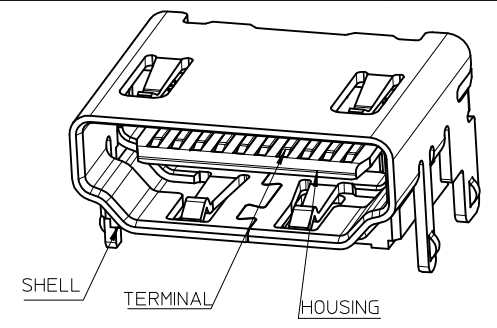
This document was generated on 06/01/2010

PLEASE CHECK WWW.MOLEX.COM FOR LATEST PART INFORMATION

10 9 8 7 6 5 4 3 2 1



- NOTES:
- MATERIAL:
HOUSING: HIGH TEMPERATURE THERMAL PLASTIC.
SHELL: COPPER ALLOY.
TERMINAL: COPPER ALLOY.
 - PLATING:
TERMINAL: CONTACT AREA: GOLD PLATING, SEE TABLE.
SOLDER AREA: 1 MICROMETER MIN. TIN-BISMUTH ALLOY PLATED.
UNDER PLATE: 1.27 MICROMETER MIN. NICKEL.
SHELL: 1.27 MICROMETER MIN. SOLDERABLE NICKEL PLATE OVERALL.
 - COPLANARITY IS 0.1MM MAX.
 - PRODUCT SPECIFICATION REFER TO PS-47152-001.
 - PACKAGE SPECIFICATION FOR WITHOUT FLANGE REFER TO PK-47151-001.
 - PRODUCT COMPLIANT TO ROHS DIRECTIVE 2002/95/EC AND ELV 2000/53/EC.



SECTION Z-Z

RECOMMENDED PANEL CUT OUT DIMENSION

RECOMMENDED PCB LAYOUT
CONNECTOR SIDE

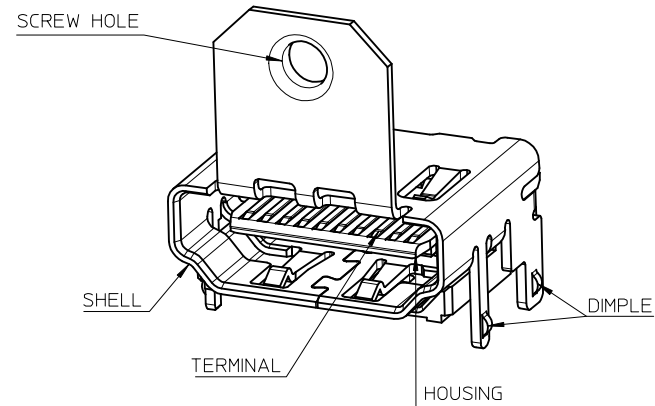
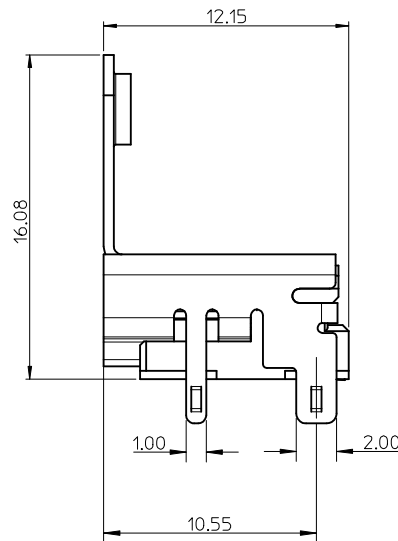
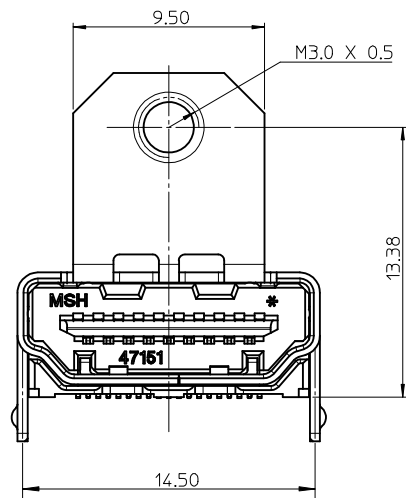
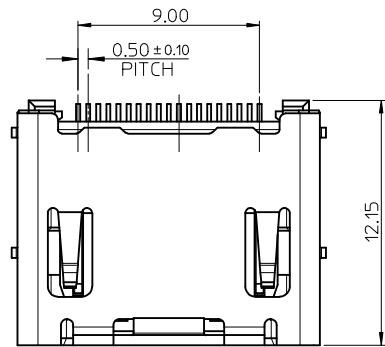
47151-8061	GOLD FLASH			
47151-8041	0.25 MICROMETER MIN.	WITHOUT	WITHOUT	WITH
47151-8001	0.76 MICROMETER MIN.			
PART NO.	CONTACT AREA PLATING	FLANGE	BACK COVER	DIMPLE

REVISED	EC NO: SH2009-0502	2009/01/23
	DRW:NCWTANG	2009/01/23
	CHKD:XJ SONG	
	APPR:HWANG	2009/02/10

QUALITY SYMBOLS	▽=0
	∇=0

GENERAL TOLERANCES (UNLESS SPECIFIED)	mm	INCH
	4 PLACES ± ---	± ---
	3 PLACES ± ---	± ---
	2 PLACES ± 0.25	± ---
	1 PLACE ± ---	± ---
ANGULAR ± 3 °		
DRAFT WHERE APPLICABLE MUST REMAIN WITHIN DIMENSIONS		

DIMENSION STYLE		SCALE	DESIGN UNITS	THIRD ANGLE PROJECTION
MM ONLY		1:1	METRIC	
DRAWN BY	DATE	TITLE		
JZENG	2006/02/21	1.0 HDMI RIGHT ANGLE HEADER WITH DIMPLE TYPE LEAD FREE		
CHECKED BY	DATE	MOLEX INCORPORATED		
DIXON	2006/02/21	DOCUMENT NO. SD-47151-101		
APPROVED BY	DATE	SHEET NO. 1 OF 4		
GRATE MA	2006/02/21			
MATERIAL NO.		THIS DRAWING CONTAINS INFORMATION THAT IS PROPRIETARY TO MOLEX INCORPORATED AND SHOULD NOT BE USED WITHOUT WRITTEN PERMISSION		
SIZE	SEE TABLE			
A3				



NOTES:

1. THE UNSPECIFIED DIMENSIONS REFER TO SHEET 1.
2. PACKAGE SPECIFICATION FOR WITH FLANGE REFER TO PK-47151-002.

47151-8071	GOLD FLASH			
47151-8051	0.25 MICROMETER MIN.	WITH	WITHOUT	WITH
47151-8011	0.76 MICROMETER MIN.			
PART NO.	CONTACT AREA PLATING	FLANGE	BACK COVER	DIMPLE

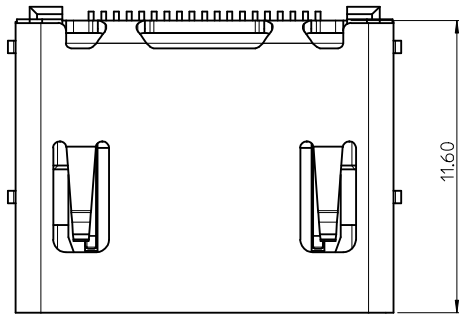
REVISED
 EC NO: SH2009-0502
 TDRW: CWTANG 2009/01/23
 CHKD: XJSONG
 APPR: HWANG 2009/02/10

QUALITY SYMBOLS	DESCRIPTION
▽=0	
∠=0	

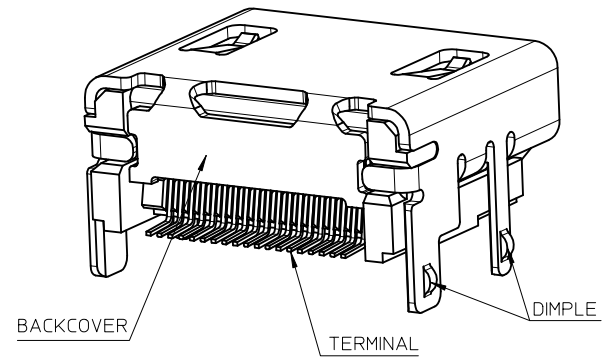
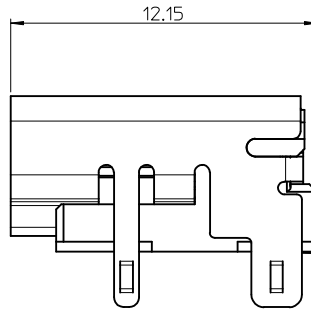
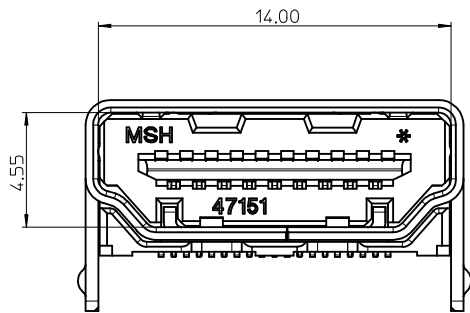
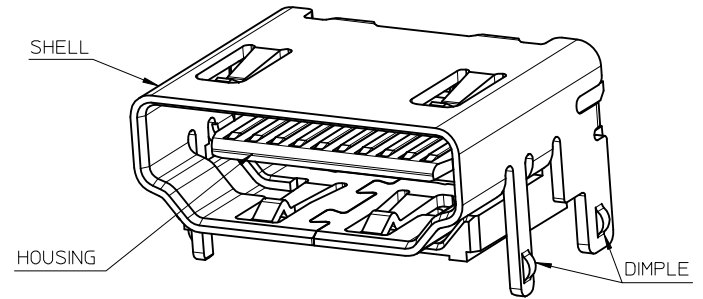
GENERAL TOLERANCES (UNLESS SPECIFIED)	
	mm INCH
4 PLACES	± --- ± ---
3 PLACES	± --- ± ---
2 PLACES	± 0.25 ± ---
1 PLACE	± --- ± ---
ANGULAR ± 3 °	
DRAFT WHERE APPLICABLE MUST REMAIN WITHIN DIMENSIONS	

DIMENSION STYLE	
MM ONLY	
DRAWN BY	DATE
JZENG	2006/02/21
CHECKED BY	DATE
DIXON	2006/02/21
APPROVED BY	DATE
GRATE MA	2006/02/21
MATERIAL NO.	
SEE TABLE	

SCALE	DESIGN UNITS	THIRD ANGLE PROJECTION
1:1	METRIC	☉ □
TITLE		
1.0 HDMI RIGHT ANGLE HEADER WITH DIMPLE TYPE LEAD FREE		
MOLEX INCORPORATED		
MATERIAL NO.	DOCUMENT NO.	SHEET NO.
	SD-47151-101	2 OF 4
THIS DRAWING CONTAINS INFORMATION THAT IS PROPRIETARY TO MOLEX INCORPORATED AND SHOULD NOT BE USED WITHOUT WRITTEN PERMISSION		



WITH BACK COVER



NOTES:

1. THE UNSPECIFIED DIMENSIONS REFER TO 47151-8001.
2. PACKAGE SPECIFICATION FOR WITHOUT FLANGE:
 47151-8131/8141/8161 REFER TO PK-47151-004,
 47151-8031/8081/8091 REFER TO PK-47151-001.

47151-8131	0.76 MICROMETER MIN.			
47151-8141	0.25 MICROMETER MIN.	WITHOUT	WITH	WITHOUT
47151-8161	GOLD FLASH			
47151-8031	0.76 MICROMETER MIN.			
47151-8081	0.25 MICROMETER MIN.	WITHOUT	WITH	WITH
47151-8091	GOLD FLASH			
PART NO.	CONTACT AREA PLATING	FLANGE	BACK COVER	DIMPLE

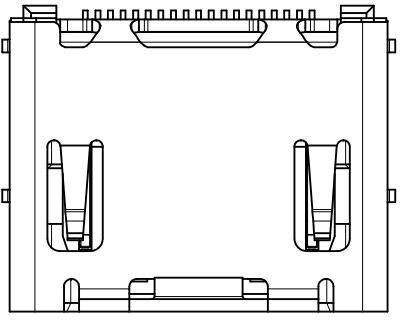
REVISED EC NO: SH2009-0502 DRWN: CWTANG CHKD: XJSONG APPR: HWANG	2009/01/23	2009/02/10
	DESCRIPTION	
	REV	

QUALITY SYMBOLS	$\nabla=0$ $\square=0$
-----------------	---------------------------

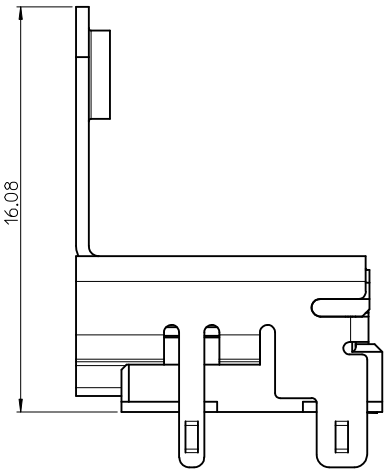
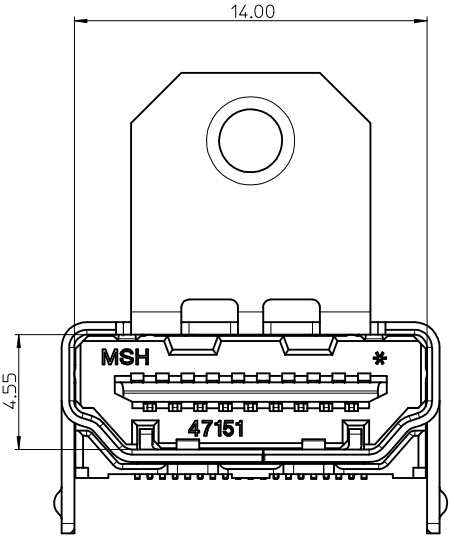
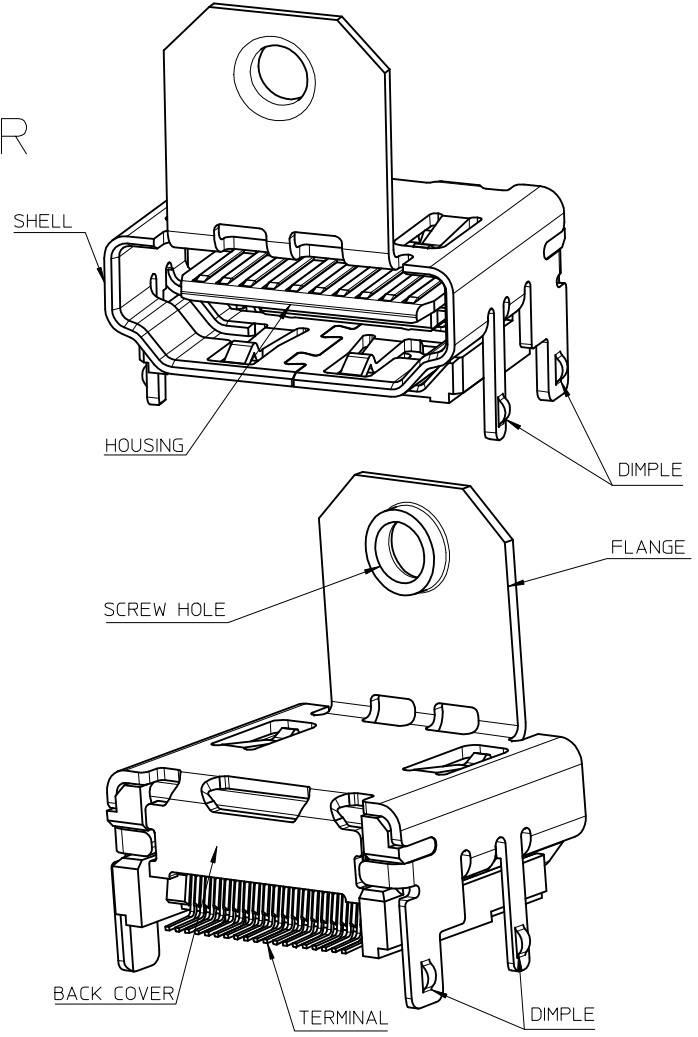
GENERAL TOLERANCES (UNLESS SPECIFIED)	mm	INCH
	4 PLACES	\pm ---
	3 PLACES	\pm ---
	2 PLACES	\pm 0.25
	1 PLACE	\pm ---
ANGULAR		\pm 3 °
DRAFT WHERE APPLICABLE MUST REMAIN WITHIN DIMENSIONS		

DIMENSION STYLE		SCALE	DESIGN UNITS	THIRD ANGLE PROJECTION
MM ONLY		1:1	METRIC	
DRAWN BY	DATE	TITLE		
JZENG	2006/02/21	1.0 HDMI RIGHT ANGLE HEADER WITH DIMPLE TYPE LEAD FREE		
CHECKED BY	DATE	MOLEX INCORPORATED		
DIXON	2006/02/21	DOCUMENT NO. SD-47151-101		
APPROVED BY	DATE	SHEET NO. 3 OF 4		
GRATE MA	2006/02/21			
MATERIAL NO.	SEE TABLE			
SIZE	A3	THIS DRAWING CONTAINS INFORMATION THAT IS PROPRIETARY TO MOLEX INCORPORATED AND SHOULD NOT BE USED WITHOUT WRITTEN PERMISSION		

10 9 8 7 6 5 4 3 2 1



WITH BACK COVER



- NOTES:
1. THE UNSPECIFIED DIMENSIONS REFER TO 47151-8011.
 2. PACKAGE SPECIFICATION FOR WITH FLANGE REFER TO PK-47151-002.

47151-8521	0.25 MICROMETER MIN.	WITH	WITH	WITHOUT
47151-8321	GOLD FLASH			
47151-8121	0.76 MICROMETER MIN.	WITH	WITH	WITH
47151-8221	GOLD FLASH			
47151-8421	0.25 MICROMETER MIN.			
47151-8021	0.76 MICROMETER MIN.	FLANGE	BACK COVER	DIMPLE
PART NO.	CONTACT AREA PLATING			

REVISED
 EC NO: SH2009-0502
 DRWN: CWTANG 2009/01/23
 CHKD: XJSONG
 APPR: HWANG 2009/02/10

QUALITY SYMBOLS

GENERAL TOLERANCES (UNLESS SPECIFIED)

	mm	INCH
4 PLACES	± ---	± ---
3 PLACES	± ---	± ---
2 PLACES	± 0.25	± ---
1 PLACE	± ---	± ---
ANGULAR ± 3 °		

DRAFT WHERE APPLICABLE MUST REMAIN WITHIN DIMENSIONS

DIMENSION STYLE
MM ONLY

DRAWN BY	DATE
JZENG	2006/02/21
CHECKED BY	DATE
DIXON	2006/02/21
APPROVED BY	DATE
GRATE MA	2006/02/21
MATERIAL NO.	
SIZE	A3

SCALE
1:1

DESIGN UNITS
METRIC

THIRD ANGLE PROJECTION

1.0 HDMI RIGHT ANGLE HEADER WITH DIMPLE TYPE LEAD FREE

MOLEX INCORPORATED

DOCUMENT NO. **SD-47151-101**

SHEET NO. **4 OF 4**

THIS DRAWING CONTAINS INFORMATION THAT IS PROPRIETARY TO MOLEX INCORPORATED AND SHOULD NOT BE USED WITHOUT WRITTEN PERMISSION

9 8 7 6 5 4 3 2 1