

**PLEASE CHECK WWW.MOLEX.COM FOR LATEST PART INFORMATION**

**Part Number:** [0702871207](#)  
**Status:** **Active**  
**Description:** 2.54mm (.100") Pitch C-Grid® Header, Breakaway, Dual Row, Vertical, with Retention Pin, 26 Circuits, 6.10mm (.240") Mating Pin Length, 0.76µm (30µ") Gold (Au) Selective Plating

**Documents:**

|   |  |
|---|--|
| <a href="#">3D Model</a>                      | <a href="#">Product Specification PS-70280 (PDF)</a> |
| <a href="#">Drawing (PDF)</a>                 | <a href="#">RoHS Certificate of Compliance (PDF)</a> |
| <a href="#">Packaging Specification (PDF)</a> |  |

**Agency Certification**

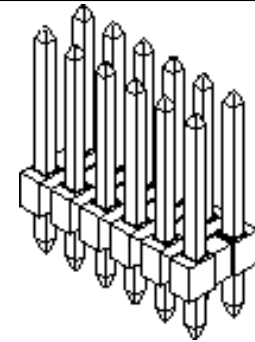
|     |         |
|-----|---------|
| CSA | LR19980 |
| UL  | E29179  |

**General**

|                |                               |
|----------------|-------------------------------|
| Product Family | PCB Headers                   |
| Series         | <a href="#">70287</a>         |
| Application    | Board-to-Board, Wire-to-Board |
| Product Name   | C-Grid®                       |

**Physical**

|                                |                                |
|--------------------------------|--------------------------------|
| Breakaway                      | Yes                            |
| Circuits (Loaded)              | 26                             |
| Circuits (maximum)             | 26                             |
| Color - Resin                  | Black                          |
| Durability (mating cycles max) | 25                             |
| First Mate / Last Break        | No                             |
| Flammability                   | 94V-0                          |
| Glow-Wire Compliant            | No                             |
| Guide to Mating Part           | No                             |
| Keying to Mating Part          | N/A                            |
| Lock to Mating Part            | None                           |
| Material - Metal               | Brass                          |
| Material - Plating Mating      | Gold                           |
| Material - Plating Termination | Tin                            |
| Material - Resin               | High Temperature Thermoplastic |
| Number of Rows                 | 2                              |
| Orientation                    | Vertical                       |
| PC Tail Length (in)            | 0.125 In                       |
| PC Tail Length (mm)            | 3.18 mm                        |
| PCB Locator                    | No                             |
| PCB Retention                  | None                           |
| PCB Thickness Recommended (in) | 0.062 In                       |
| PCB Thickness Recommended (mm) | 1.57 mm                        |
| Packaging Type                 | Bag                            |
| Pitch - Mating Interface (in)  | 0.100 In                       |
| Pitch - Mating Interface (mm)  | 2.54 mm                        |
| Pitch - Term. Interface (in)   | 0.100 In                       |
| Pitch - Term. Interface (mm)   | 2.54 mm                        |
| Plating min: Mating (µin)      | 32.000                         |
| Plating min: Mating (µm)       | 0.80                           |
| Plating min: Termination (µin) | 80.000                         |
| Plating min: Termination (µm)  | 2.00                           |
| Polarized to Mating Part       | No                             |
| Polarized to PCB               | No                             |



*Series  
image - Reference only*

**EU RoHS**

**ELV and RoHS  
Compliant**  
**REACH SVHC**  
 Not Reviewed  
**Halogen-Free  
Status**  
**Not Reviewed**

**China RoHS**



**Need more information on product  
environmental compliance?**

Email [productcompliance@molex.com](mailto:productcompliance@molex.com)  
 For a multiple part number RoHS Certificate of Compliance, [click here](#)

Please visit the [Contact Us](#) section for any non-product compliance questions.

**Search Parts in this Series**

[70287Series](#)

**Mates With**

7859 Shunt, C-Grid Receptacles, SL™  
 Crimp, FFC and IDT Housing

|                                |                 |
|--------------------------------|-----------------|
| Shrouded                       | No              |
| Stackable                      | Yes             |
| Surface Mount Compatible (SMC) | Yes             |
| Temperature Range - Operating  | -40°C to +120°C |
| Termination Interface: Style   | Through Hole    |

#### **Electrical**

|                               |         |
|-------------------------------|---------|
| Current - Maximum per Contact | 3A      |
| Voltage - Maximum             | 250V DC |

#### **Solder Process Data**

|  |                        |
|--|------------------------|
| Duration at Max. Process Temperature (seconds) | 5                      |
| Lead-free Process Capability                   | Wave Capable (TH only) |
| Max. Cycles at Max. Process Temperature        | 1                      |
| Process Temperature max. C                     | 260                    |

#### **Material Info**

#### **Reference - Drawing Numbers**

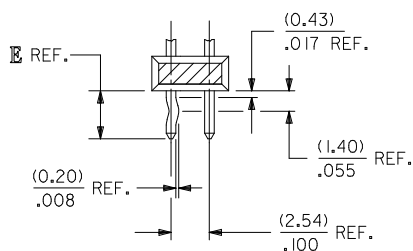
|                       |              |
|-----------------------|--------------|
| Product Specification | PS-70280     |
| Sales Drawing         | SD-70287-004 |

This document was generated on 04/12/2010

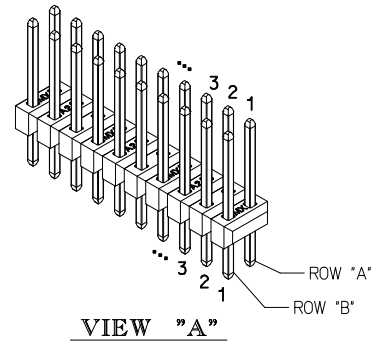
**PLEASE CHECK [WWW.MOLEX.COM](http://WWW.MOLEX.COM) FOR LATEST PART INFORMATION**



**DETAIL "Y"**  
SCALE 30:1



**SECTION Z-Z - RETENTION PIN DETAIL**  
2 CONTACTS LOCATED ON CENTER OF SAME ROW  
(SEE NOTE 6)



**NOTES:**

- MATERIAL: WAFER - GLASS FILLED LIQUID CRYSTAL POLYMER, UL94V-0, COLOR: BLACK  
PIN - COPPER ALLOY
- FINISH: (TIN) OVERALL TIN: (0.00381)/.000150 MIN., OVERALL NICKEL UNDERPLATE: (0.00127)/.000050 MIN.  
(15 GOLD) SELECT GOLD: (0.00038)/.000015 MIN., SELECT TIN: (0.00191)/.000075 MIN., OVERALL NICKEL UNDERPLATE: (0.00127)/.000050 MIN.  
(30 GOLD) SELECT GOLD: (0.00076)/.000030 MIN., SELECT TIN: (0.00191)/.000075 MIN., OVERALL NICKEL UNDERPLATE: (0.00127)/.000050 MIN.
- PRODUCT SPECIFICATION: PS-70280
- PACKAGING INFORMATION: (UNLESS OTHERWISE NOTED IN TABLES)  
PARTS TO BE PACKAGED PER PK-70873-0353.
- MEASURE POINT FOR PLATING THICKNESS. DIMENSION D IS ALSO THE MEASURE POINT FOR PIN WIDTH.
- RETENTIVE TAIL LOCATIONS (SEE VIEW "A")

| NUMBER OF CIRCUITS IN ROW B | RETENTIVE TAIL LOCATIONS   |
|-----------------------------|--|
| EVEN NUMBER                 | 2 PINS IN THE MIDDLE OF ROW B  |
| ODD NUMBER                  | PIN IN THE CENTER OF ROW B AND ONE OTHER PIN IN ROW B ON EITHER SIDE OF THE CENTER PIN |

- PIN PUSHOUT FORCE: 3 LBS. MIN. (IN EITHER DIRECTION)
- FOR ILLUSTRATION PURPOSES, 20 (DUAL 10) CIRCUIT SIZE IS SHOWN.
- PINS MUST MEET SOLDERABILITY SPEC. SMES-152, EXCEPT VOIDS ARE PERMISSIBLE AT BANDOLIER PIN FAYING SURFACE. (APPROXIMATELY (0.64)/.025 LNG X (0.15)/.006 WIDE AT 2 LOCATIONS)
- PARTS CONFORM TO CLASS B REQUIREMENTS OF COSMETIC SPECIFICATION PS-45499-002.

|      |      |
|------|------|
| 2*   | A    |
| 1    | A    |
| SHT. | REV. |

INITIAL RELEASE  
EC NO: UCP2010-0011  
DRAWN: MKIPPER 2010/02/12  
CHKD: J.BELL 2010/02/15  
APPR: FSMITH 2010/03/02

QUALITY SYMBOLS  
▽=0  
▽=0

GENERAL TOLERANCES (UNLESS SPECIFIED)

|          | mm     | INCH    |
|----------|--------|---------|
| 4 PLACES | ± .005 | ± .0005 |
| 3 PLACES | ± .005 | ± .0005 |
| 2 PLACES | ± 0.13 | ± .01   |
| 1 PLACE  | ± 0.25 | ± .01   |

ANGULAR ± 1/2°

DRAFT WHERE APPLICABLE MUST REMAIN WITHIN DIMENSIONS

DIMENSION STYLE  
MM/IN

DRAWN BY: MKIPPER DATE: 2009/11/02  
CHECKED BY: J.BELL DATE: 2009/11/02  
APPROVED BY: FSMITH DATE: 2009/11/02

MATERIAL NO. SEE CHART  
SIZE: C

SCALE 1:1  
DESIGN UNITS INCH  
THIRD ANGLE PROJECTION

TITLE: SALES ASSY-HIGH TEMP. DUAL ROW, .025" SQ PINS .100" GRID W/ RET. PINS

MOLEX MOLEX INCORPORATED

DOCUMENT NO. SD-70287-004  
SHEET NO. 1 OF \*

THIS DRAWING CONTAINS INFORMATION THAT IS PROPRIETARY TO MOLEX INCORPORATED AND SHOULD NOT BE USED WITHOUT WRITTEN PERMISSION

| CKT. SIZE | DIM. A REF. |       | DIM. B REF. |       |
|-----------|-------------|-------|-------------|-------|
|           | (MM)        | INCH  | (MM)        | INCH  |
| 4         | (5.08)      | .200  | (2.54)      | .100  |
| 6         | (7.62)      | .300  | (5.08)      | .200  |
| 8         | (10.16)     | .400  | (7.62)      | .300  |
| 10        | (12.70)     | .500  | (10.16)     | .400  |
| 12        | (15.24)     | .600  | (12.70)     | .500  |
| 14        | (17.78)     | .700  | (15.24)     | .600  |
| 16        | (20.32)     | .800  | (17.78)     | .700  |
| 18        | (22.86)     | .900  | (20.32)     | .800  |
| 20        | (25.40)     | 1.000 | (22.86)     | .900  |
| 22        | (27.94)     | 1.100 | (25.40)     | 1.000 |
| 24        | (30.48)     | 1.200 | (27.94)     | 1.100 |
| 26        | (33.02)     | 1.300 | (30.48)     | 1.200 |
| 28        | (35.56)     | 1.400 | (33.02)     | 1.300 |
| 30        | (38.10)     | 1.500 | (35.56)     | 1.400 |
| 32        | (40.64)     | 1.600 | (38.10)     | 1.500 |
| 34        | (43.18)     | 1.700 | (40.64)     | 1.600 |
| 36        | (45.72)     | 1.800 | (43.18)     | 1.700 |
| 38        | (48.26)     | 1.900 | (45.72)     | 1.800 |
| 40        | (50.80)     | 2.000 | (48.26)     | 1.900 |
| 42        | (53.34)     | 2.100 | (50.80)     | 2.000 |
| 44        | (55.88)     | 2.200 | (53.34)     | 2.100 |
| 46        | (58.42)     | 2.300 | (55.88)     | 2.200 |
| 48        | (60.96)     | 2.400 | (58.42)     | 2.300 |
| 50        | (63.50)     | 2.500 | (60.96)     | 2.400 |
| 52        | (66.04)     | 2.600 | (63.50)     | 2.500 |
| 54        | (68.58)     | 2.700 | (66.04)     | 2.600 |
| 56        | (71.12)     | 2.800 | (68.58)     | 2.700 |
| 58        | (73.66)     | 2.900 | (71.12)     | 2.800 |
| 60        | (76.20)     | 3.000 | (73.66)     | 2.900 |
| 62        | (78.74)     | 3.100 | (76.20)     | 3.000 |
| 64        | (81.28)     | 3.200 | (78.74)     | 3.100 |
| 66        | (83.82)     | 3.300 | (81.28)     | 3.200 |
| 68        | (86.36)     | 3.400 | (83.82)     | 3.300 |
| 70        | (88.90)     | 3.500 | (86.36)     | 3.400 |
| 72        | (91.44)     | 3.600 | (88.90)     | 3.500 |
| 74        | (93.98)     | 3.700 | (91.44)     | 3.600 |
| 76        | (96.52)     | 3.800 | (93.98)     | 3.700 |
| 78        | (99.06)     | 3.900 | (96.52)     | 3.800 |
| 80        | (101.60)    | 4.000 | (99.06)     | 3.900 |
| 82        | (104.14)    | 4.100 | (101.60)    | 4.000 |
| 84        | (106.68)    | 4.200 | (104.14)    | 4.100 |
| 86        | (109.22)    | 4.300 | (106.68)    | 4.200 |
| 88        | (111.76)    | 4.400 | (109.22)    | 4.300 |
| 90        | (114.30)    | 4.500 | (111.76)    | 4.400 |
| 92        | (116.84)    | 4.600 | (114.30)    | 4.500 |
| 94        | (119.38)    | 4.700 | (116.84)    | 4.600 |
| 96        | (121.92)    | 4.800 | (119.38)    | 4.700 |
| 98        | (124.46)    | 4.900 | (121.92)    | 4.800 |
| 100       | (127.00)    | 5.000 | (124.46)    | 4.900 |

| ENG. NO: A-70287-1000 / 1048 |                 |                      |                 |
|------------------------------|-----------------|----------------------|-----------------|
| DIM. C                       |                 | (6.10) / .240        |                 |
| DIM. E (REF.)                |                 | (3.18) / .125        |                 |
| DIM. L (REF.)                |                 | (11.56) / .455       |                 |
| MATING SIDE PLATING          |                 | TIN                  |                 |
| DIM. D (MEASURE PT.)         |                 | (2.54) / .100        |                 |
| P.C. BOARD SIDE PLATING      |                 | TIN                  |                 |
| DIM. F (MEASURE PT.)         |                 | (1.27) / .050        |                 |
| RETENTIVE PIN LOCATION       |                 | SEE NOTE 6, SHEET 1  |                 |
| PACKAGING                    |                 | BULK - PK-70873-0353 |                 |
| CKTS                         | MATERIAL NUMBER | CKTS                 | MATERIAL NUMBER |
| 04                           | 70287-1000      | 54                   | 70287-1025      |
| 06                           | 70287-1001      | 56                   | 70287-1026      |
| 08                           | 70287-1002      | 58                   | 70287-1027      |
| 10                           | 70287-1003      | 60                   | 70287-1028      |
| 12                           | 70287-1004      | 62                   | 70287-1029      |
| 14                           | 70287-1005      | 64                   | 70287-1030      |
| 16                           | 70287-1006      | 66                   | 70287-1031      |
| 18                           | 70287-1007      | 68                   | 70287-1032      |
| 20                           | 70287-1008      | 70                   | 70287-1033      |
| 22                           | 70287-1009      | 72                   | 70287-1034      |
| 24                           | 70287-1010      | 74                   | 70287-1035      |
| 26                           | 70287-1011      | 76                   | 70287-1036      |
| 28                           | 70287-1012      | 78                   | 70287-1037      |
| 30                           | 70287-1013      | 80                   | 70287-1038      |
| 32                           | 70287-1014      | 82                   | 70287-1039      |
| 34                           | 70287-1015      | 84                   | 70287-1040      |
| 36                           | 70287-1016      | 86                   | 70287-1041      |
| 38                           | 70287-1017      | 88                   | 70287-1042      |
| 40                           | 70287-1018      | 90                   | 70287-1043      |
| 42                           | 70287-1019      | 92                   | 70287-1044      |
| 44                           | 70287-1020      | 94                   | 70287-1045      |
| 46                           | 70287-1021      | 96                   | 70287-1046      |
| 48                           | 70287-1022      | 98                   | 70287-1047      |
| 50                           | 70287-1023      | 100                  | 70287-1048      |
| 52                           | 70287-1024      |                      |                 |

| ENG. NO: A-70287-1098 / 1146 |                 |                      |                 |
|------------------------------|-----------------|----------------------|-----------------|
| DIM. C                       |                 | (6.10) / .240        |                 |
| DIM. E (REF.)                |                 | (3.18) / .125        |                 |
| DIM. L (REF.)                |                 | (11.56) / .455       |                 |
| MATING SIDE PLATING          |                 | 15 GOLD              |                 |
| DIM. D (MEASURE PT.)         |                 | (2.54) / .100        |                 |
| P.C. BOARD SIDE PLATING      |                 | TIN                  |                 |
| DIM. F (MEASURE PT.)         |                 | (1.27) / .050        |                 |
| RETENTIVE PIN LOCATION       |                 | SEE NOTE 6, SHEET 1  |                 |
| PACKAGING                    |                 | BULK - PK-70873-0353 |                 |
| CKTS                         | MATERIAL NUMBER | CKTS                 | MATERIAL NUMBER |
| 04                           | 70287-1098      | 54                   | 70287-1123      |
| 06                           | 70287-1099      | 56                   | 70287-1124      |
| 08                           | 70287-1100      | 58                   | 70287-1125      |
| 10                           | 70287-1101      | 60                   | 70287-1126      |
| 12                           | 70287-1102      | 62                   | 70287-1127      |
| 14                           | 70287-1103      | 64                   | 70287-1128      |
| 16                           | 70287-1104      | 66                   | 70287-1129      |
| 18                           | 70287-1105      | 68                   | 70287-1130      |
| 20                           | 70287-1106      | 70                   | 70287-1131      |
| 22                           | 70287-1107      | 72                   | 70287-1132      |
| 24                           | 70287-1108      | 74                   | 70287-1133      |
| 26                           | 70287-1109      | 76                   | 70287-1134      |
| 28                           | 70287-1110      | 78                   | 70287-1135      |
| 30                           | 70287-1111      | 80                   | 70287-1136      |
| 32                           | 70287-1112      | 82                   | 70287-1137      |
| 34                           | 70287-1113      | 84                   | 70287-1138      |
| 36                           | 70287-1114      | 86                   | 70287-1139      |
| 38                           | 70287-1115      | 88                   | 70287-1140      |
| 40                           | 70287-1116      | 90                   | 70287-1141      |
| 42                           | 70287-1117      | 92                   | 70287-1142      |
| 44                           | 70287-1118      | 94                   | 70287-1143      |
| 46                           | 70287-1119      | 96                   | 70287-1144      |
| 48                           | 70287-1120      | 98                   | 70287-1145      |
| 50                           | 70287-1121      | 100                  | 70287-1146      |
| 52                           | 70287-1122      |                      |                 |

|                     |      |                            |              |  |              |
|---------------------|------|----------------------------|--------------|--|--------------|
| <b>A</b>            | REV: | ECR/ECN INFORMATION        | TITLE:       | SALES ASS'Y – HIGH TEMP.<br>DUAL ROW, .025" SQ PINS<br>.100" GRID W/ RET. PINS | SHEET No.    |
|                     |      | EC No: <b>UCP2010-0011</b> |              |  | <b>- 2 -</b> |
|                     |      | DATE: <b>3/2/2010</b>      |              |  |              |
| DOCUMENT NUMBER:    |      | CREATED / REVISED BY:      | CHECKED BY:  | APPROVED BY:   |              |
| <b>SD-70287-004</b> |      | <b>MKIPPER</b>             | <b>JBELL</b> | <b>FSMITH</b>  |              |

ENG. NO: A-70287-1196 / 1244

|                         |                 |                      |                 |
|-------------------------|-----------------|----------------------|-----------------|
| DIM. C                  |                 | (6.10) / .240        |                 |
| DIM. E (REF.)           |                 | (3.18) / .125        |                 |
| DIM. L (REF.)           |                 | (11.56) / .455       |                 |
| MATING SIDE PLATING     |                 | 30 GOLD              |                 |
| DIM. D (MEASURE PT.)    |                 | (2.54) / .100        |                 |
| P.C. BOARD SIDE PLATING |                 | TIN                  |                 |
| DIM. F (MEASURE PT.)    |                 | (1.27) / .050        |                 |
| RETENTIVE PIN LOCATION  |                 | SEE NOTE 6, SHEET 1  |                 |
| PACKAGING               |                 | BULK - PK-70873-0353 |                 |
| CKTS                    | MATERIAL NUMBER | CKTS                 | MATERIAL NUMBER |
| 04                      | 70287-1196      | 54                   | 70287-1221      |
| 06                      | 70287-1197      | 56                   | 70287-1222      |
| 08                      | 70287-1198      | 58                   | 70287-1223      |
| 10                      | 70287-1199      | 60                   | 70287-1224      |
| 12                      | 70287-1200      | 62                   | 70287-1225      |
| 14                      | 70287-1201      | 64                   | 70287-1226      |
| 16                      | 70287-1202      | 66                   | 70287-1227      |
| 18                      | 70287-1203      | 68                   | 70287-1228      |
| 20                      | 70287-1204      | 70                   | 70287-1229      |
| 22                      | 70287-1205      | 72                   | 70287-1230      |
| 24                      | 70287-1206      | 74                   | 70287-1231      |
| 26                      | 70287-1207      | 76                   | 70287-1232      |
| 28                      | 70287-1208      | 78                   | 70287-1233      |
| 30                      | 70287-1209      | 80                   | 70287-1234      |
| 32                      | 70287-1210      | 82                   | 70287-1235      |
| 34                      | 70287-1211      | 84                   | 70287-1236      |
| 36                      | 70287-1212      | 86                   | 70287-1237      |
| 38                      | 70287-1213      | 88                   | 70287-1238      |
| 40                      | 70287-1214      | 90                   | 70287-1239      |
| 42                      | 70287-1215      | 92                   | 70287-1240      |
| 44                      | 70287-1216      | 94                   | 70287-1241      |
| 46                      | 70287-1217      | 96                   | 70287-1242      |
| 48                      | 70287-1218      | 98                   | 70287-1243      |
| 50                      | 70287-1219      | 100                  | 70287-1244      |
| 52                      | 70287-1220      |                      |                 |

ENG. NO: A-70287-1294

|                         |                 |  |          |
|-------------------------|-----------------|--|----------|
| DIM. C                  |                 | (6.10) / .240                              |          |
| DIM. E (REF.)           |                 | (3.18) / .125                              |          |
| DIM. L (REF.)           |                 | (11.56) / .455                             |          |
| MATING SIDE PLATING     |                 | TIN  |          |
| DIM. D (MEASURE PT.)    |                 | (2.54) / .100                              |          |
| P.C. BOARD SIDE PLATING |                 | TIN  |          |
| DIM. F (MEASURE PT.)    |                 | (1.27) / .050                              |          |
| RETENTIVE PIN LOCATION  |                 | ROW B - CKTS 1, 5<br>(SEE NOTE 6, SHEET 1) |          |
| PACKAGING               |                 | BULK - PK-70873-0353                       |          |
|                         |                 | VOID PIN LOCATION                          |          |
| CKTS                    | MATERIAL NUMBER | ROW  | LOCATION |
| 10                      | 70287-1294      | A  | 2, 3     |
|                         |                 | B  | 2, 3     |
|                         |                 |  |          |
|                         |                 |  |          |
|                         |                 |  |          |
|                         |                 |  |          |
|                         |                 |  |          |
|                         |                 |  |          |
|                         |                 |  |          |
|                         |                 |  |          |

|                     |      |                            |              |  |              |
|---------------------|------|----------------------------|--------------|--|--------------|
| <b>A</b>            | REV: | ECR/ECN INFORMATION        | TITLE:       | SALES ASS'Y – HIGH TEMP.<br>DUAL ROW, .025" SQ PINS<br>.100" GRID W/ RET. PINS | SHEET No.    |
|                     |      | EC No: <b>UCP2010-0011</b> |              |  | <b>- 3 -</b> |
|                     |      | DATE: <b>3/2/2010</b>      |              |  |              |
| DOCUMENT NUMBER:    |      | CREATED / REVISED BY:      | CHECKED BY:  | APPROVED BY:   |              |
| <b>SD-70287-004</b> |      | <b>MKIPPER</b>             | <b>JBELL</b> | <b>FSMITH</b>  |              |

ENG. NO: A-70287-1295

|                         |  |     |          |
|-------------------------|--|-----|----------|
| DIM. C                  | (5.84) / .230                              |     |          |
| DIM. E (REF.)           | (2.97) / .117                              |     |          |
| DIM. L (REF.)           | (11.10) / .437                             |     |          |
| MATING SIDE PLATING     | 15 GOLD                                    |     |          |
| DIM. D (MEASURE PT.)    | (2.54) / .100                              |     |          |
| P.C. BOARD SIDE PLATING | TIN  |     |          |
| DIM. F (MEASURE PT.)    | (1.27) / .050                              |     |          |
| RETENTIVE PIN LOCATION  | ROW B - CKTS 3, 4<br>(SEE NOTE 6, SHEET 1) |     |          |
| PACKAGING               | BULK - PK-70873-0353                       |     |          |
| VOID PIN LOCATION       |  |     |          |
| CKTS                    | MATERIAL NUMBER                            | ROW | LOCATION |
| 10                      | 70287-1295                                 | A   | 1        |
|                         |  |     |          |
|                         |  |     |          |
|                         |  |     |          |
|                         |  |     |          |
|                         |  |     |          |
|                         |  |     |          |
|                         |  |     |          |
|                         |  |     |          |
|                         |  |     |          |

|                     |        |                       |              |  |              |
|---------------------|--------|-----------------------|--------------|--|--------------|
| <b>A</b>            | REV:   | ECR/ECN INFORMATION   | TITLE:       | SALES ASS'Y – HIGH TEMP.<br>DUAL ROW, .025" SQ PINS<br>.100" GRID W/ RET. PINS | SHEET No.    |
|                     | EC No: | UCP2010-0011          |              |  | <b>- 4 -</b> |
|                     | DATE:  | 3/2/2010              |              |  |              |
| DOCUMENT NUMBER:    |        | CREATED / REVISED BY: | CHECKED BY:  | APPROVED BY:   |              |
| <b>SD-70287-004</b> |        | <b>MKIPPER</b>        | <b>JBELL</b> | <b>FSMITH</b>  |              |