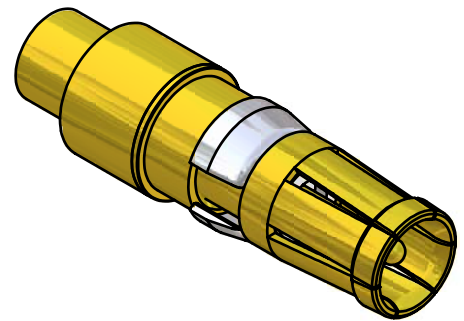
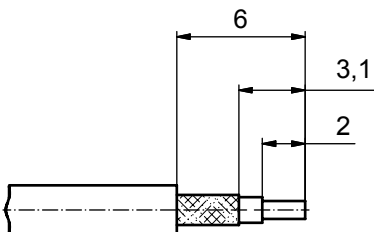


INNER CONDUCTOR: SOLDERED  
 OUTER CONDUCTOR: CRIMPED  
 HANDCRIMP TOOL: 360X10519X  
 TOOL INSERT: 360X11019X  
 INSERT CAVITY B: HEX 3.25/.128



STRIPPING DIMENSIONS



Directive 2002/95/EC  
 "RoHS"  
 Compliant

5	1	RETAINING RING	COPPER ALLOY	NICKEL PLATED
4	1	FERRULE	COPPER ALLOY	GOLD over NICKEL
3	1	BODY	COPPER ALLOY	GOLD over NICKEL
2	1	DIELECTRIC	PTFE	-
1	1	CENTER CONTACT	COPPER ALLOY	GOLD over NICKEL
item	quantity	part description	material	plating

APPROVAL # FREIGABE # DEBLOCAGE # AUTORIZACION # APPROVAL

CUSTOMER APPROVAL DATE:

NAME: TITLE:

COMPANY NAME:

APPROVAL # FREIGABE # DEBLOCAGE # AUTORIZACION # APPROVAL

THIS DRAWING MAY NOT BE COPIED OR REPRODUCED IN ANY WAY, AND MAY NOT BE PASSED ON TO A THIRD PARTY WITHOUT WRITTEN PERMISSION. OWNERSHIP AND COPYRIGHT OF CONEC GmbH				tolerance ISO 2768-m		scale: 10.1
DO NOT ALTER CAD DRAWING BY HAND				date	name	material: see partlist
10 x d	Ä 2925	12.02.08	HS	norm		title: <b>COAXIAL CONTACT SOCKET 75 OHM</b> inner conductor for solder termination outer conductor for crimp termination
1 x c	Ä 2535	18.07.06	Lehmen	d-old		
"b"	Ä 1077	30.11.99	Mick			
rev.	description	date	name	<b>CONEC</b>		dwg no: Inventor 10 (d) DIN-A3 sh: 1
						part no: 132J30019X