

PLEASE CHECK WWW.MOLEX.COM FOR LATEST PART INFORMATION

Part Number: [0510892005](#)
Status: **Active**
Description: 2.00mm (.079") Pitch Mi II™ System Wire-to-Board Crimp Housing, Dual Row, 20 Circuits

Documents:

3D Model	Product Specification PS-51089-005 (PDF)
Drawing (PDF)	RoHS Certificate of Compliance (PDF)
Product Specification PS-51089-001 (PDF)	

Agency Certification

CSA	LR19980
UL	E29179

General

Product Family	Crimp Housings
Series	51089
Product Name	Mi II™

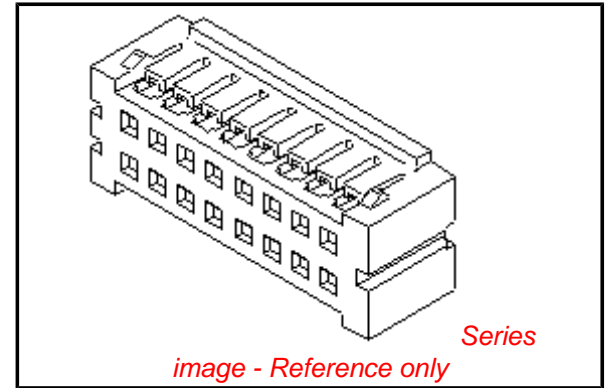
Physical

Circuits (maximum)	20
Color - Resin	Gray
Flammability	94V-0
Gender	Female
Glow-Wire Compliant	No
Lock to Mating Part	Yes
Material - Resin	Polyester
Number of Rows	2
Packaging Type	Bag
Panel Mount	No
Pitch - Mating Interface (in)	0.079 In
Pitch - Mating Interface (mm)	2.00 mm
Stackable	No
Temperature Range - Operating	-40°C to +105°C

Material Info

Reference - Drawing Numbers

Product Specification	PS-51089-001, PS-51089-005, RPS-51089-005
Sales Drawing	SD-51089-**05



EU RoHS

ELV and RoHS Compliant
REACH SVHC Contains SVHC: No
Halogen-Free Status

China RoHS



Need more information on product environmental compliance?

Email productcompliance@molex.com
 For a multiple part number RoHS Certificate of Compliance, [click here](#)

Please visit the [Contact Us](#) section for any non-product compliance questions.

Search Parts in this Series

[51089Series](#)

Mates With

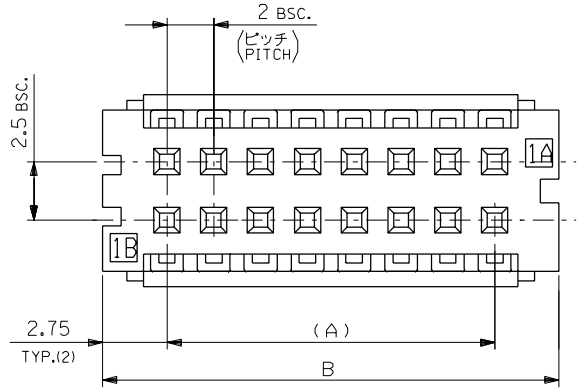
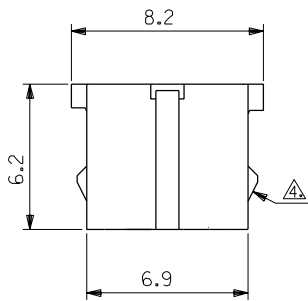
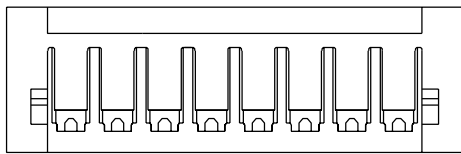
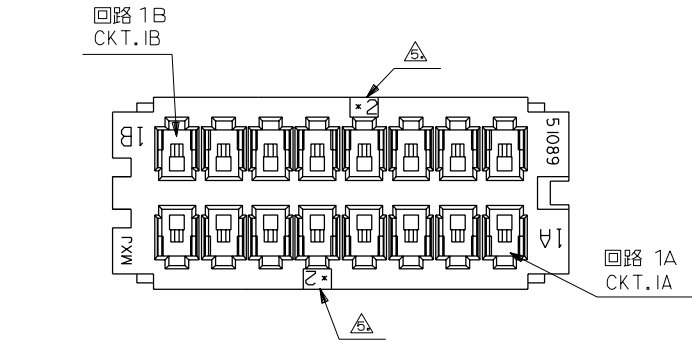
[53313](#) , [53314](#)

Use With

[50212](#) Crimp Terminals

ENG. NO. SD-51089-***05
EDP NO.

MM DIMENSIONS IN METRIC DO NOT SCALE DRAWING



注記 NOTES

- 材料: MATERIALS:
ハウジング: ガラス入りポリエステル 灰色
HOUSING: G.F. POLYESTER, UL94V-0, GRAY
ターミナル: 燐青銅
TERMINAL: PHOSPHOR BRONZE, MOLEX P/N 50212-8*00
 - 仕上げ: 鍍メッキ
FINISH: PRE-PLATED TIN - 0.9µm MIN.
 - 適合ヘッダー: (全極数)
MATING HEADERS: 53313-***15 (ALL SIZES) (30数以上)
53314-***15 (OVER 28 CKT.S)
- △ LOCK部: 表参照
LOCK: REFER TO CHART
- △ *2は5の倍数の回路番号を表示する。
数える方向は回路表示 1 A, 1 B側からとする。
*2 DENOTES CKT. NO. MULTIPLES OF 5,
COUNTED FROM 1A, 1B.

4 無し NONE ↓	63.5	58	51089-6005	60
	53.5	48	-5005	50
	43.5	38	-4005	40
	37.5	32	-3405	34
	33.5	28	-3005	30
4 有り PLC.S ↓	31.5	26	-2805	28
	29.5	24	-2605	26
	27.5	22	-2405	24
	25.5	20	-2205	22
	23.5	18	-2005	20
	21.5	16	-1805	18
	19.5	14	-1605	16
	17.5	12	-1405	14
	15.5	10	-1205	12
	13.5	8	51089-1005	10
LOCK部	B	(A)	ENG. NO.	CKT.

材料 MATERIAL		注記参照 SEE NOTES		MOLEX MOLEX-JAPAN CO.,LTD. 日本モレックス株式会社	
A RELEASED		GMS H.1	92/2/21	EDP. NO. //	
2 REVISIONS		GMS H.1	91/7/30	ENG. NO. SD-51089-***05	
30以上 OVER		GMS H.1	91/3/5	REV A	
10以上 30未滿 UNDER		GMS H.1	90/9/20	TITLE 名称	
10未滿 UNDER		DR. LTR	REVISION RECORD	2mm W-to-B DUAL ROW	
一般公差 GENERAL TOLERANCES		REVISE ONLY ON CAD SYSTEM		CRIMP RECEPTACLE HOUSING	

THIS DRAWING CONTAINS INFORMATION THAT IS PROPRIETARY TO MOLEX(JAPAN) AND SHOULD NOT BE USED WITHOUT WRITTEN PERMISSION
本図面は日本モレックス(株)の所有する情報を含むもので 当社の許可なく複製を禁止する。

MXJ-8