

PLEASE CHECK WWW.MOLEX.COM FOR LATEST PART INFORMATION

Part Number: [0951152881](#)
Status: **Active**
Overview: [modular_plugs](#)
Description: Round Cable Boot for Shielded Plug, Black

Documents:

[Application Specification \(PDF\)](#) [Drawing \(PDF\)](#)
[Packaging Specification \(PDF\)](#) [RoHS Certificate of Compliance \(PDF\)](#)

General

Product Family	Accessories
Series	95115
Comments	"Must be ordered with series 95043"
Component Type	Boot
Overview	modular_plugs
Product Name	N/A

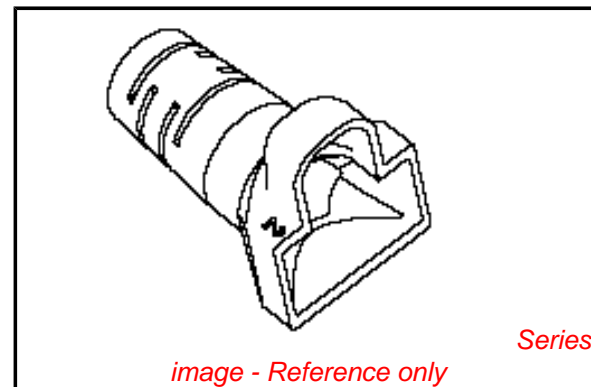
Physical

Breakaway	No
Circuits (Loaded)	N/A
Circuits (maximum)	0
Gender	N/A
Lock to Mating Part	None
Number of Rows	0
Packaging Type	Bag
Polarized to Mating Part	N/A
Temperature Range - Operating	N/A

Material Info

Reference - Drawing Numbers

Sales Drawing	SDA-95115-F
---------------	-------------



EU RoHS

**ELV and RoHS
Compliant**
REACH SVHC
 Not Reviewed
Halogen-Free
Status
Not Reviewed

China RoHS



**Need more information on product
environmental compliance?**

Email productcompliance@molex.com
 For a multiple part number RoHS Certificate of
 Compliance, [click here](#)

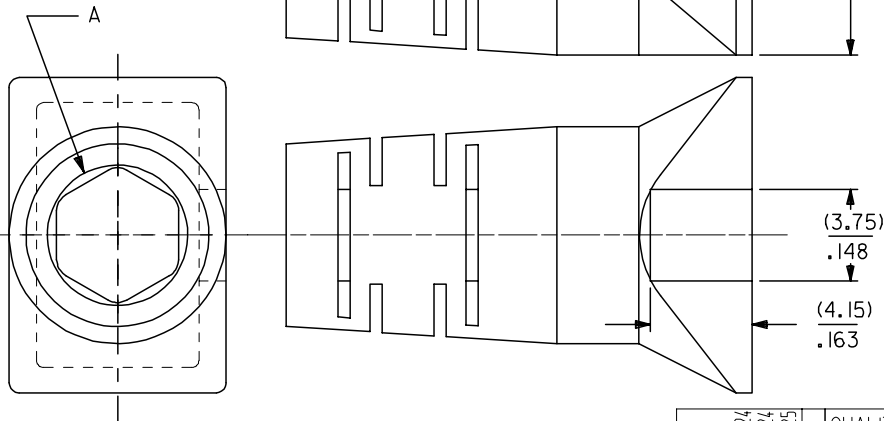
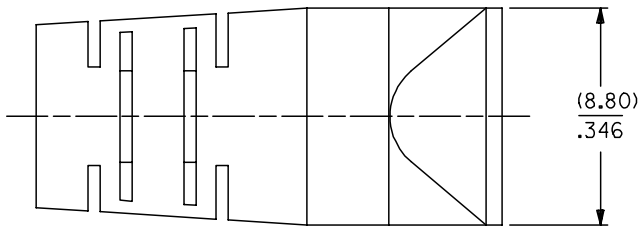
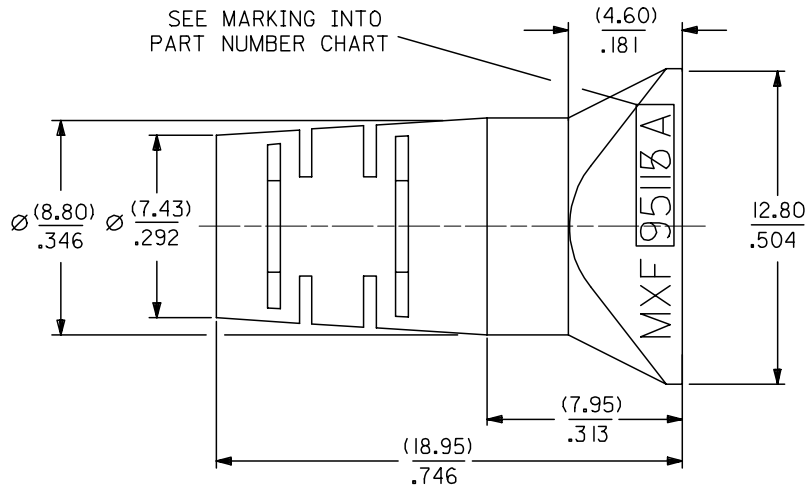
Please visit the [Contact Us](#) section for any
 non-product compliance questions.

Search Parts in this Series
[95115Series](#)

Use With
[95043](#)

10 9 8 7 6 5 4 3 2 1

SEE MARKING INTO
PART NUMBER CHART



PART NUMBER CHART

PART NUMBER	MARKING	COLOUR	RAL NBR	CABLE DIAMETER	DIAMETER A
95115-1881	95115 A	BLACK	9005	(5.10-5.60)/.200-.220	(5.70)/.224
95115-1882	95115 A	GREY	7012	(5.10-5.60)/.200-.220	(5.70)/.224
95115-1883	95115 A	GREEN	6016	(5.10-5.60)/.200-.220	(5.70)/.224
95115-1884	95115 A	RED	3000	(5.10-5.60)/.200-.220	(5.70)/.224
95115-1885	95115 A	YELLOW	1021	(5.10-5.60)/.200-.220	(5.70)/.224
95115-1886	95115 A	BLUE	5015	(5.10-5.60)/.200-.220	(5.70)/.224
95115-2881	95115 B	BLACK	9005	(5.60-6.10)/.220-.240	(6.10)/.240
95115-2882	95115 B	GREY	7012	(5.60-6.10)/.220-.240	(6.10)/.240
95115-2883	95115 B	GREEN	6016	(5.60-6.10)/.220-.240	(6.10)/.240
95115-2884	95115 B	RED	3000	(5.60-6.10)/.220-.240	(6.10)/.240
95115-2885	95115 B	YELLOW	1021	(5.60-6.10)/.220-.240	(6.10)/.240
95115-2886	95115 B	BLUE	5015	(5.60-6.10)/.220-.240	(6.10)/.240

NOTES:

- 1- MATERIAL: THERMOPLASTIC RUBBER, UL94 V-0, COLOUR SEE CHART
- 2- COVER TO BE MOUNTED ON SHIELDED PLUG 95043 SERIES.
- 3- FOR MOUNTING INSTRUCTIONS SEE MOLEX SPECIFICATION AS-95043
- 4- COVER FOR CABLE ACCORDING TO THE MOLEX CABLE SPECIFICATION CS-95043.
- 5- PACKAGING SPECIFICATION: PK-95115-001

ADDED NOTE EC NO: E2007-0982 DRWN:DBRYNES 2007/05/24 CHKD: 2007/05/24 APPR:EDMAHONY 2007/05/25	QUALITY SYMBOLS ▽=0 ▽=0	GENERAL TOLERANCES (UNLESS SPECIFIED) mm INCH 4 PLACES ± --- ± --- 3 PLACES ± --- ± .010 2 PLACES ± 0.25 ± .014 1 PLACE ± 0.35 ± --- ANGULAR ±1/2°	DIMENSION STYLE MM/IN DRAWN BY DATE GP 1993/01/07 CHECKED BY DATE APPROVED BY DATE	SCALE 5:1 DESIGN UNITS METRIC THIRD ANGLE PROJECTION	TITLE ROUND CABLE BOOT FOR SHIELDED PLUG 95043 SERIES MOLEX INCORPORATED
	DRAFT WHERE APPLICABLE MUST REMAIN WITHIN DIMENSIONS	SEE CHART	MATERIAL NO. SDA-95115-F	DOCUMENT NO. SDA-95115-F	SHEET NO. 1 OF 1
	THIS DRAWING CONTAINS INFORMATION THAT IS PROPRIETARY TO MOLEX INCORPORATED AND SHOULD NOT BE USED WITHOUT WRITTEN PERMISSION				
	SIZE A3				

9 8 7 6 5 4 3 2 1