

PLEASE CHECK WWW.MOLEX.COM FOR LATEST PART INFORMATION

Part Number: [0956224883](#)
Status: **Active**
Overview: [modular_plugs_jacks](#)
Description: Modular Jack, Right Angle, Fully Shielded, SMT, 8/8

Documents:

[3D Model](#) [Product Specification PS-95622-001 \(PDF\)](#)
[Drawing \(PDF\)](#) [RoHS Certificate of Compliance \(PDF\)](#)
[Application Specification \(PDF\)](#)

Agency Certification

UL E107635

General

Product Family	Modular Jacks/Plugs
Series	95622
Component Type	PCB Jack
Magnetic	No
Overview	modular_plugs_jacks
Performance Category	3
Power over Ethernet (PoE)	N/A
Product Name	RJ45
Physical	
Boot Color	N/A
Color - Resin	Black
Durability (mating cycles max)	500
Flammability	94V-0
Inverted / Top Latch	No
Keying to Mating Part	None
Lightpipes/LEDs	None
Material - Metal	Brass, Phosphor Bronze
Material - Plating Mating	Gold
Material - Plating Termination	Tin
Material - Resin	High Temperature Thermoplastic
Orientation	Right Angle (Side Entry)
PCB Locator	No
PCB Retention	Yes
Packaging Type	Embossed Tape on Reel
Pitch - Mating Interface (in)	0.040 In
Pitch - Mating Interface (mm)	1.02 mm
Pitch - Term. Interface (in)	0.050 In
Pitch - Term. Interface (mm)	1.27 mm
Plating min: Mating (µin)	50.8
Plating min: Mating (µm)	1.27
Plating min: Termination (µin)	76
Plating min: Termination (µm)	1.9
Ports	1
Positions / Loaded Contacts	8/8
Surface Mount Compatible (SMC)	Yes
Temperature Range - Operating	-40°C to +80°C
Termination Interface: Style	Surface Mount
Waterproof / Dustproof	No
Wire/Cable Type	N/A

Electrical

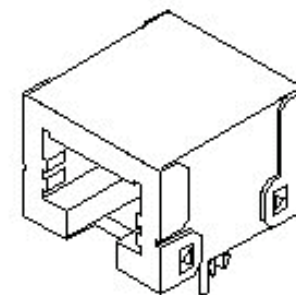


image - Reference only

Series

EU RoHS

**ELV and RoHS
Compliant**
**REACH SVHC
Contains SVHC: No**
**Halogen-Free
Status**

China RoHS



**Need more information on product
environmental compliance?**

Email productcompliance@molex.com
For a multiple part number RoHS Certificate of
Compliance, [click here](#)

Please visit the [Contact Us](#) section for any
non-product compliance questions.

Search Parts in this Series

[95622Series](#)

Mates With

FCC 68 Plugs

Current - Maximum per Contact	1.5A
Grounding to PCB	Yes
Grounding to Panel	None
Shielded	Yes
Voltage - Maximum	125V AC (RMS)

Solder Process Data

Duration at Max. Process Temperature (seconds)	45
Lead-free Process Capability	Reflow Capable (SMT only)
Max. Cycles at Max. Process Temperature	3
Process Temperature max. C	260

Material Info

Reference - Drawing Numbers

Product Specification	PS-95622-001
Sales Drawing	SD-95622-008
Test Summary	STR-1162

This document was generated on 06/07/2010

PLEASE CHECK WWW.MOLEX.COM FOR LATEST PART INFORMATION

10 9 8 7 6 5 4 3 2 1

F

E

D

C

B

A

F

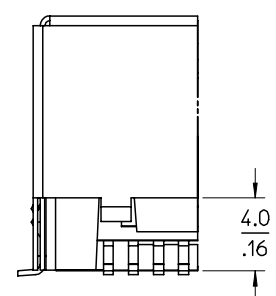
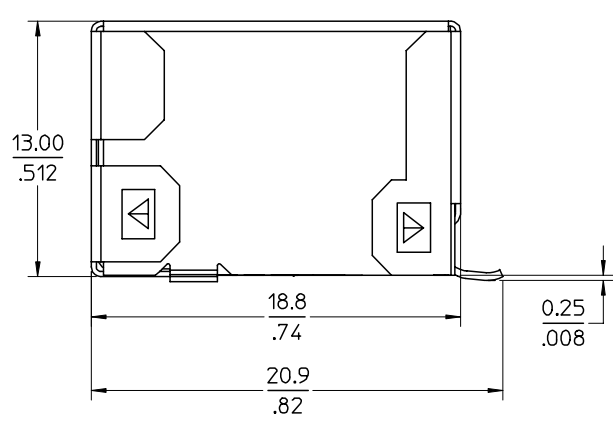
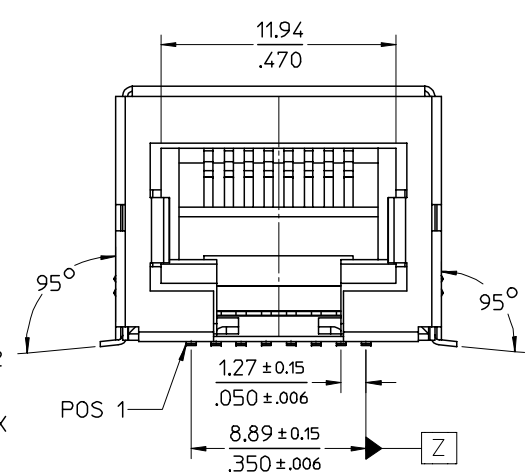
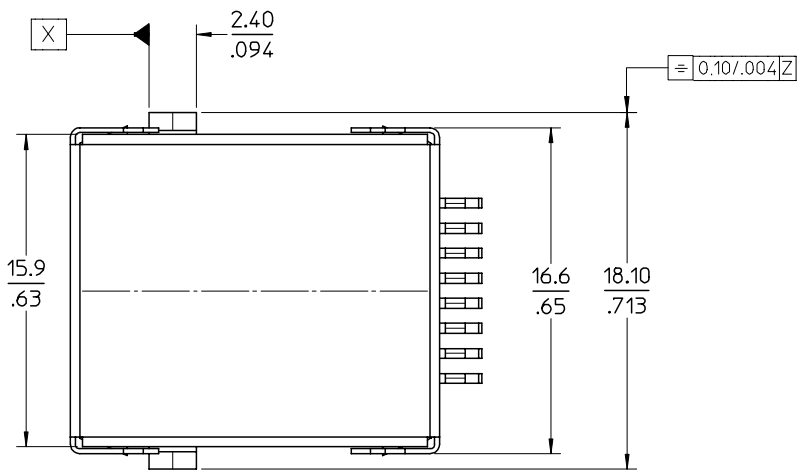
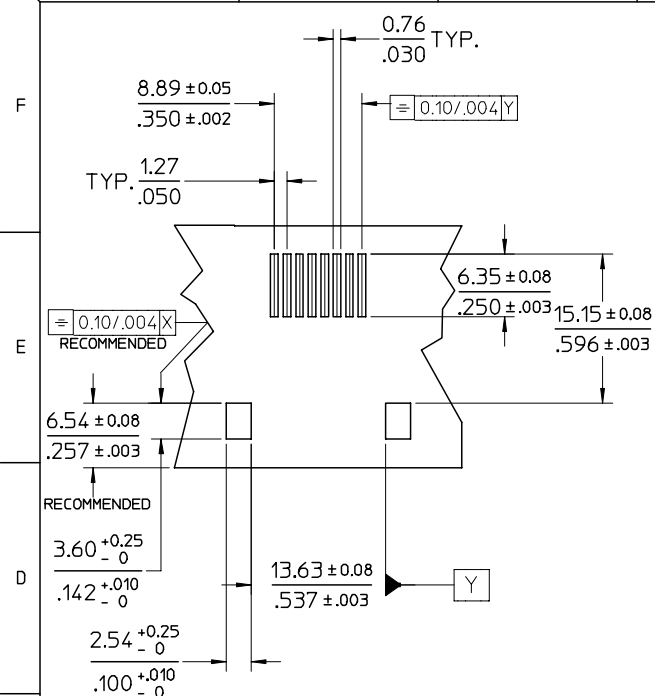
E

D

C

B

A



PARTIAL 1
Scale 4:1

- NOTES:**
- 1- JACK FOR MATING WITH SHIELDED PLUG (MOLEX 95043 AND 85568 SERIES)
 - 2- PRODUCT SPECIFICATION: PS-95622
 - 3- PACKAGING SPECIFICATION: PK-95122-002 (BLISTER ON REEL)
 - 4- COPLANARITY OF SIGNAL LEADS: 0.10MAX

TECHNICAL SPECIFICATIONS:

MATERIAL:
HOUSING: LCP GLASS FILLED UL 94V-0 COLOUR BLACK.
TERMINAL: PHOSPHOR BRONZE PLATED WITH:
0.00127/.000050 MIN GOLD IN CONTACT AREA,
0.00190/.000075 MIN PURE TIN IN TAIL AREA, BOTH OVER 0.00127/.000050 MIN NICKEL OVERALL.
SHIELD: BRASS PLATED WITH 0.0020/.000078 MIN TIN.

UPDATED VIEWS EC NO: E2006-1189 DRWN: DBYRNES 2006/11/06 CHKD: 2006/11/08 APPR: EOMAHONY 2006/11/10	QUALITY SYMBOLS ▽=0 ▽=0	GENERAL TOLERANCES (UNLESS SPECIFIED)		DIMENSION STYLE MM/IN		SCALE 4:1	DESIGN UNITS METRIC	THIRD ANGLE PROJECTION		
			mm	INCH	DRAWN BY DBYRNES	DATE 2006/07/27	TITLE FULLY SHIELDED TRUE SMT RIGHT ANGLE MODULAR JACK 8 CIRCUIT			
		4 PLACES	± ---	± ---	CHECKED BY EOMAHONY	DATE 2006/07/28	MOLEX MOLEX INCORPORATED			
		3 PLACES	± ---	± .010	APPROVED BY EOMAHONY	DATE 2006/07/28	DOCUMENT NO. SD-95622-008			
2 PLACES	± 0.25	± .014	MATERIAL NO. 95622-4883		SHEET NO. 1 OF 1					
1 PLACE	± 0.35	± ---	DRAFT WHERE APPLICABLE MUST REMAIN WITHIN DIMENSIONS		THIS DRAWING CONTAINS INFORMATION THAT IS PROPRIETARY TO MOLEX INCORPORATED AND SHOULD NOT BE USED WITHOUT WRITTEN PERMISSION					
		ANGULAR ± 2 °		SIZE A3						

9 8 7 6 5 4 3 2 1