

**PLEASE CHECK WWW.MOLEX.COM FOR LATEST PART INFORMATION**

**Part Number:** [0436400600](#)  
**Status:** **Active**  
**Overview:** [microfit\\_30](#)  
**Description:** 3.00mm (.118") Pitch Micro-Fit 3.0™ Plug Housing, Single Row, with Panel Mount Ears, 6 Circuits

**Documents:**

[3D Model](#) [Product Specification PS-43650 \(PDF\)](#)  
[Drawing \(PDF\)](#) [RoHS Certificate of Compliance \(PDF\)](#)

**Agency Certification**

CSA LR19980  
TUV R72081037  
UL E29179

**General**

Product Family Crimp Housings  
Series [43640](#)  
Comments Glow Wire Equivalent Part Number [436400608](#) ,  
[436400609](#)  
Overview [microfit\\_30](#)  
Product Literature Order No USA-106  
Product Name Micro-Fit 3.0™

**Physical**

Circuits (maximum) 6  
Color - Resin Black  
Flammability 94V-0  
Gender Male  
Glow-Wire Compliant No  
Keying to Mating Part None  
Lock to Mating Part Yes  
Material - Resin Polyester  
Number of Rows 1  
Packaging Type Bag  
Panel Mount Yes  
Pitch - Mating Interface (in) 0.118 In  
Pitch - Mating Interface (mm) 3.00 mm  
Polarized to Mating Part No  
Stackable No  
Temperature Range - Operating -40°C to +105°C

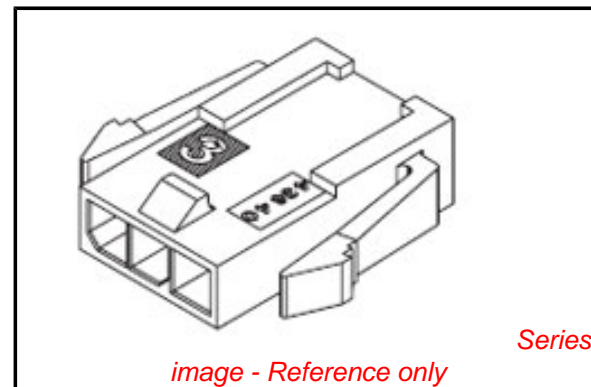
**Electrical**

Current - Maximum per Contact 5A

**Material Info**

**Reference - Drawing Numbers**

Product Specification PS-43650  
Sales Drawing SD-43640-\*\*\*\*



**EU RoHS**

**ELV and RoHS  
Compliant**  
**REACH SVHC**  
Not Reviewed  
**Halogen-Free  
Status**

**China RoHS**



**Need more information on product  
environmental compliance?**

Email [productcompliance@molex.com](mailto:productcompliance@molex.com)  
For a multiple part number RoHS Certificate of Compliance, [click here](#)

Please visit the [Contact Us](#) section for any non-product compliance questions.

**Search Parts in this Series**

[43640Series](#)

**Mates With**

Micro-Fit 3.0™ Receptacle Housing [43645](#)

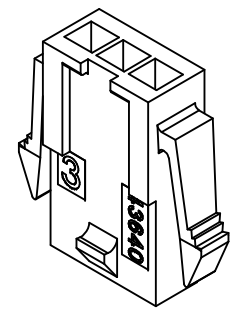
**Use With**

Micro-Fit 3.0™ Crimp Terminal [43031](#)

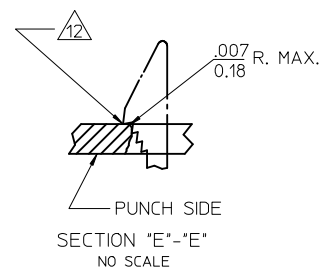
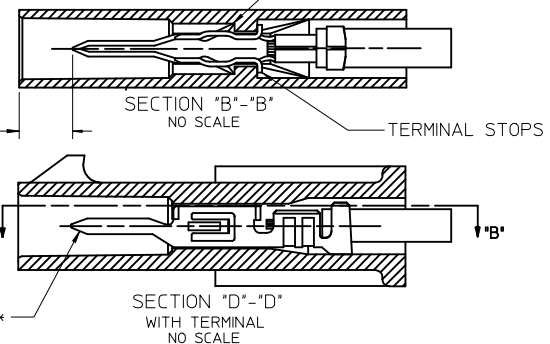
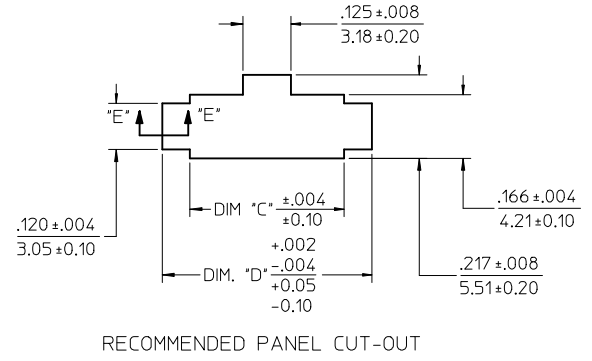
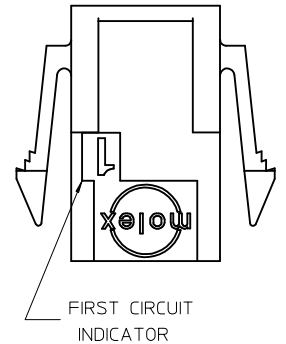
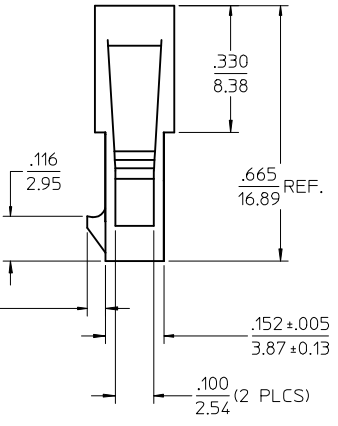
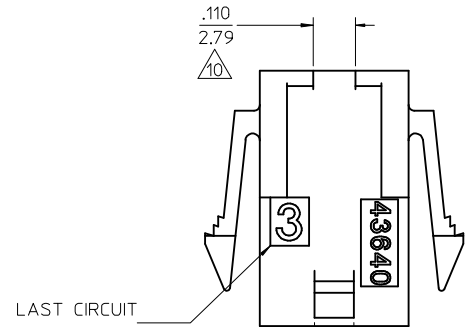
X-CONTACT FACTORY	ASSEMBLY ITEM NUMBER	PART CHARACTERISTICS	
		NUMBER OF POSITION	
	43640-0200	02	
	43640-0300	03	
	43640-0400	04	
	43640-0500	05	
I	43640-0600	06	
X	43640-0700	07	
X	43640-0800	08	
X	43640-0900	09	
X	43640-1000	10	
X	43640-1100	11	
H	X	43640-1200	12

CKT. NO.	DIM. "A"	DIM. "B"	DIM. "C"	DIM. "D"
2	.270/6.85	.118/3.00	.284/7.21	.429/10.90
3	.388/9.85	.236/6.00	.402/10.21	.547/13.89
4	.506/12.85	.354/9.00	.520/13.21	.665/16.89
5	.624/15.85	.472/12.00	.638/16.21	.783/19.89
6	.742/18.85	.591/15.00	.756/19.21	.901/22.89
7	.860/21.85	.709/18.00	.874/22.20	1.019/25.88
8	.978/24.85	.827/21.00	.992/25.20	1.137/28.88
9	1.096/27.85	.945/24.00	1.110/28.20	1.255/31.88
10	1.215/30.85	1.063/27.00	1.229/31.22	1.373/34.87
11	1.333/33.85	1.181/30.00	1.347/34.22	1.491/37.87
12	1.451/36.85	1.299/33.00	1.465/37.22	1.609/40.87

- NOTES:
- HOUSING MATERIAL: UNFILLED POLYESTER, RATED UL94V-0 COLOR IS BLACK
  - FINISH: NONE
  - PRODUCT SPECIFICATION: PS-43650
  - PACKAGING SPECIFICATION: NONE
  - THIS HOUSING MATES WITH MICRO-FIT RECEPTACLE #43645-\*\*\*\*.
  - THIS HOUSING IS DESIGNED IN METRIC
  - THIS HOUSING TO BE USED WITH MOLEX MALE TERMINAL #43031-\*\*\*\*.
  - PLUG DESIGNED FOR .062/1.57 TO .090/2.30 THICK STAMPED PANEL OR P.C.BOARD.
  - SEE SECTION "D"- "D" FOR TERMINAL ORIENTATION IN HOUSING.
  - THIS DIMENSION APPLIES TO PLUG CKT. SIZES 2 THRU 12 ONLY.
  - SEE SHEET 2 FOR PLUG WITHOUT PANEL MOUNTS.
  - PANEL MOUNT FEATURES MUST LOCK ON SIDE OPPOSITE PUNCH SIDE FOR OPTIMUM RETENTION.
  - THIS PART CONFORMS TO CLASS B REQUIREMENTS OF COSMETIC SPECIFICATION PS-45499-002.

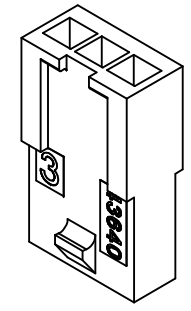
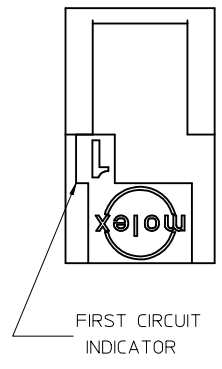
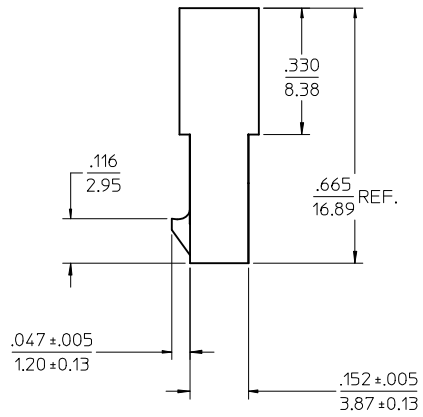
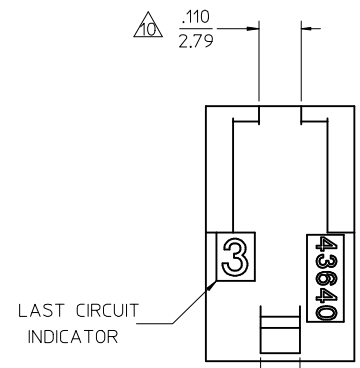


PLUG WITH PANEL MOUNTS

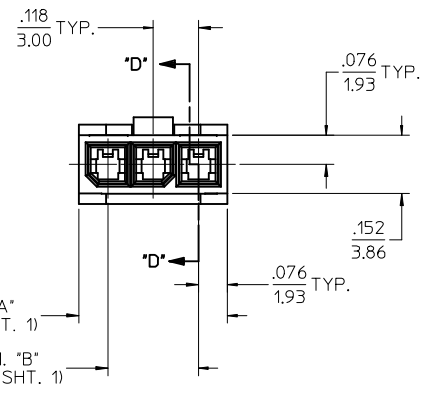


UPDATED ISO VIEW EC NO: UCP2010-0138 DRWN:TBRES 2009/07/22 CHKD:SSUSEK 2009/07/22 APPR:FSM/TH 2009/07/23	QUALITY SYMBOLS ▽=0 ▽=0	GENERAL TOLERANCES (UNLESS SPECIFIED) <table border="1"> <thead> <tr> <th></th> <th>mm</th> <th>INCH</th> </tr> </thead> <tbody> <tr> <td>4 PLACES</td> <td>± .---</td> <td>± .---</td> </tr> <tr> <td>3 PLACES</td> <td>± .---</td> <td>± .010</td> </tr> <tr> <td>2 PLACES</td> <td>± 0.25</td> <td>± .014</td> </tr> <tr> <td>1 PLACE</td> <td>± 0.35</td> <td>± .---</td> </tr> </tbody> </table>		mm	INCH	4 PLACES	± .---	± .---	3 PLACES	± .---	± .010	2 PLACES	± 0.25	± .014	1 PLACE	± 0.35	± .---	DIMENSION STYLE <b>IN/MM</b>	SCALE <b>4:1</b>	DESIGN UNITS <b>METRIC</b>	THIRD ANGLE PROJECTION
				mm	INCH																
4 PLACES	± .---	± .---																			
3 PLACES	± .---	± .010																			
2 PLACES	± 0.25	± .014																			
1 PLACE	± 0.35	± .---																			
DRAWN BY AFG	DATE 1996/01/19	CHECKED BY BAP	DATE 1996/01/19	APPROVED BY RJF	DATE 1996/01/19	TITLE <b>MICRO-FIT (3.0) IN-LINE          2 THRU 12 CIRCUIT PLUG          W/ OPTIONAL PANEL MOUNTS</b>															
MATERIAL NO. <b>SEE CHART</b>	DOCUMENT NO. <b>SD-43640-****</b>	SHEET NO. <b>1 OF 2</b>	<b>MOLEX INCORPORATED</b>																		
DRAFT WHERE APPLICABLE MUST REMAIN WITHIN DIMENSIONS																					
THIS DRAWING CONTAINS INFORMATION THAT IS PROPRIETARY TO MOLEX INCORPORATED AND SHOULD NOT BE USED WITHOUT WRITTEN PERMISSION																					

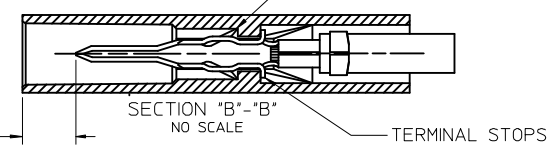
X-CONTACT FACTORY	ASSEMBLY ITEM NUMBER	PART CHARACTERISTICS NUMBER OF POSITION
	43640-0201	02
	43640-0301	03
	43640-0401	04
	43640-0501	05
	43640-0601	06
X	43640-0701	07
X	43640-0801	08
X	43640-0901	09
X	43640-1001	10
X	43640-1101	11
X	43640-1201	12



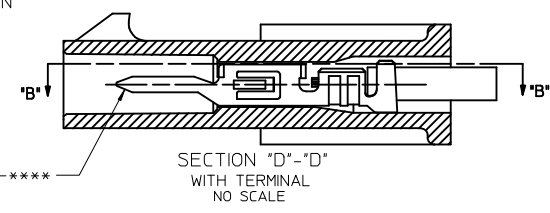
PLUG WITHOUT PANEL MOUNTS



TERMINAL LOCKING TABS MUST BE FULLY SEATED TO HOUSING BEFORE MATING WITH OTHER HALF OF CONNECTOR SYSTEM.

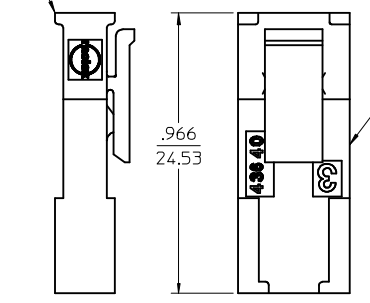


TERMINAL INSERTION DEPTH



TERMINAL #43031-\*\*\*\*

RECEPTACLE # 43645-\*\*\*\*



PLUG # 43640-\*\*\*01

MATED MICRO-FIT CONNECTOR

.966  
24.53

UPDATED ISO VIEW EC NO: UCP2010-0138 DRAWN: RBENES 2009/07/22 CHKD: SSOUSEK 2009/07/22 APPR: FSMITH 2009/07/23	QUALITY SYMBOLS	GENERAL TOLERANCES (UNLESS SPECIFIED) <table border="1"> <tr><th></th><th>mm</th><th>INCH</th></tr> <tr><td>4 PLACES</td><td>± .005</td><td>± .0005</td></tr> <tr><td>3 PLACES</td><td>± .010</td><td>± .0010</td></tr> <tr><td>2 PLACES</td><td>± .025</td><td>± .0014</td></tr> <tr><td>1 PLACE</td><td>± 0.35</td><td>± .0138</td></tr> </table>		mm	INCH	4 PLACES	± .005	± .0005	3 PLACES	± .010	± .0010	2 PLACES	± .025	± .0014	1 PLACE	± 0.35	± .0138	DIMENSION STYLE	SCALE	DESIGN UNITS	THIRD ANGLE PROJECTION
			mm	INCH																	
	4 PLACES	± .005	± .0005																		
	3 PLACES	± .010	± .0010																		
2 PLACES	± .025	± .0014																			
1 PLACE	± 0.35	± .0138																			
▼=0 ▽=0	IN/MM DRAWN BY DATE AFG 1996/01/19 CHECKED BY DATE BAP 1996/01/19 APPROVED BY DATE RJF 1996/01/19	4:1 METRIC	MICRO-FIT (3.0) IN-LINE 2 THRU 12 CIRCUIT PLUG W/ OPTIONAL PANEL MOUNTS																		
T1	DRAFT WHERE APPLICABLE MUST REMAIN WITHIN DIMENSIONS	MATERIAL NO. SEE CHART	DOCUMENT NO. SD-43640-****	SHEET NO. 2 OF 2																	
			MOLEX INCORPORATED THIS DRAWING CONTAINS INFORMATION THAT IS PROPRIETARY TO MOLEX INCORPORATED AND SHOULD NOT BE USED WITHOUT WRITTEN PERMISSION																		