

PLEASE CHECK WWW.MOLEX.COM FOR LATEST PART INFORMATION

Part Number: [0989821028](#)
Status: **Active**
Overview: [mox crimp terminals](#)
Description: 2.54mm (.100") Pitch MOX Receptacle Kit, 4 Rows, 40 Circuits, Gray

Documents:

[Drawing \(PDF\)](#) [RoHS Certificate of Compliance \(PDF\)](#)

General

Product Family Crimp Housings
 Series [98982](#)
 Overview [mox crimp terminals](#)
 Product Name MOX

Physical

Circuits (maximum) 40
 Color - Resin Gray
 Gender Receptacle
 Glow-Wire Compliant No
 Keying to Mating Part None
 Lock to Mating Part Yes
 Material - Resin Polyester
 Number of Rows 4
 Packaging Type Bag
 Panel Mount No
 Pitch - Mating Interface (in) 0.100 In
 Pitch - Mating Interface (mm) 2.54 mm
 Pitch - Term. Interface (in) 0.100 In
 Pitch - Term. Interface (mm) 2.54 mm
 Polarized to Mating Part Yes
 Ports 1
 Stackable No
 Temperature Range - Operating -40°C to +125°C

Electrical

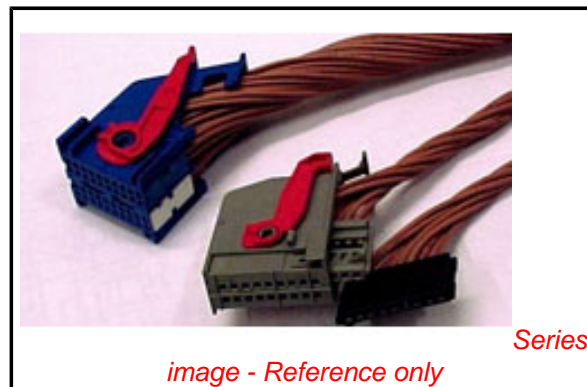
Current - Maximum per Contact 6A

Material Info

Old Part Number 52598EV40M8

Reference - Drawing Numbers

Application Specification AS-98982-001
 Packaging Specification PK-98982-001
 Sales Drawing SD-98982-002



EU RoHS

**ELV and RoHS
 Compliant**
REACH SVHC
 Not Reviewed
**Halogen-Free
 Status**
Not Reviewed

China RoHS



**Need more information on product
 environmental compliance?**

Email productcompliance@molex.com
 For a multiple part number RoHS Certificate of
 Compliance, [click here](#)

Please visit the [Contact Us](#) section for any
 non-product compliance questions.

Search Parts in this Series

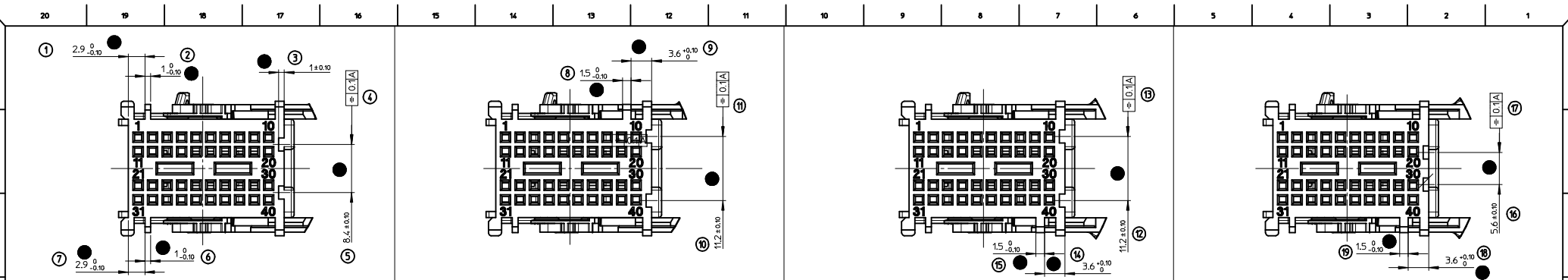
[98982Series](#)

Mates With

Contact Molex

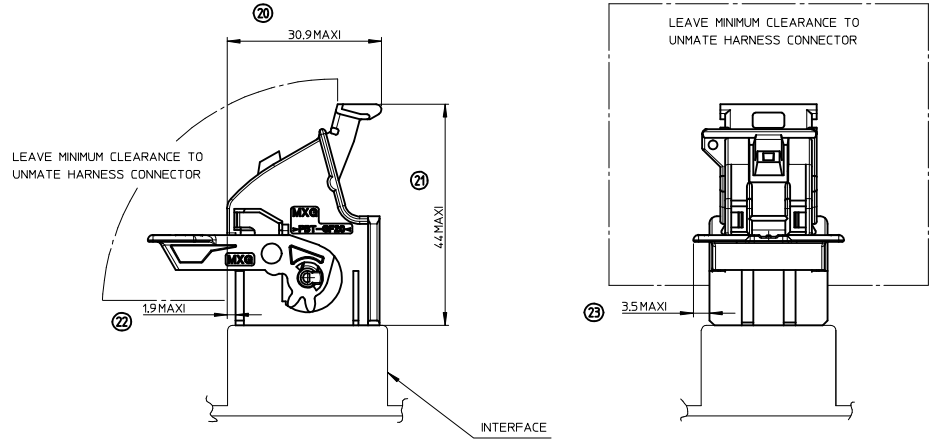
Use With

[98658](#) MOX Crimp Terminal

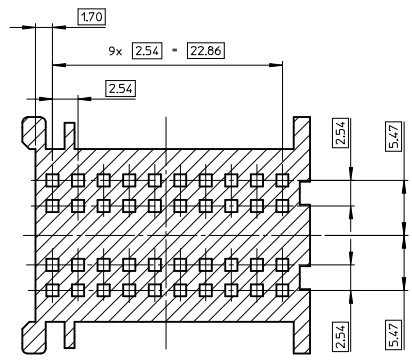


MOLEX P/N 0989821021 BLACK MOLEX P/N 0989821028 GREY MOLEX P/N 0989821020 WHITE MOLEX P/N 0989821026 BLUE

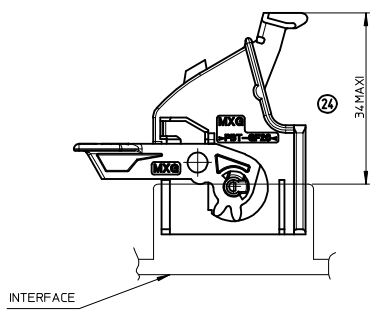
CLEARANCE FOR CONNECTOR MATE AND UNMATE 2:1



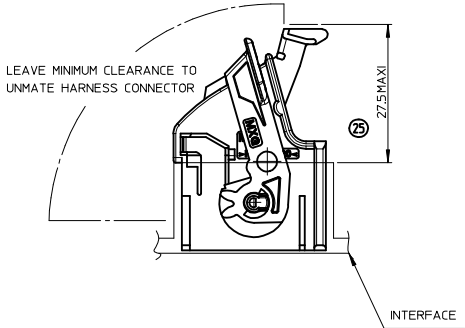
CAVITY LOCATION 4:1



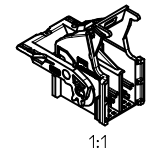
TRAVEL TO ELECTRIC CONTACT 2:1



CONNECTOR FULLY MATED 2:1

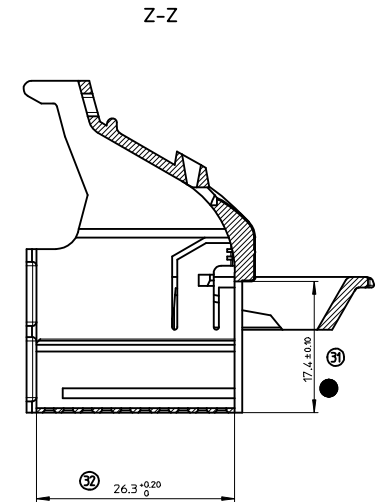
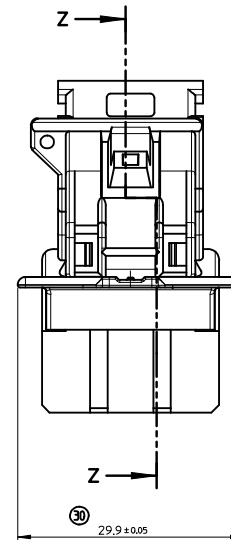
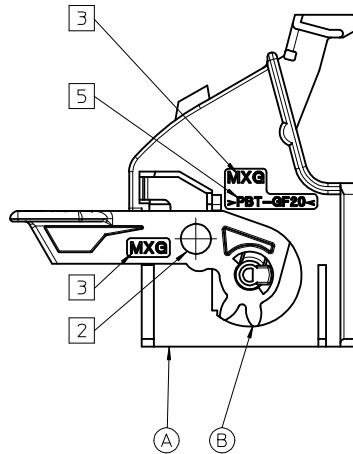
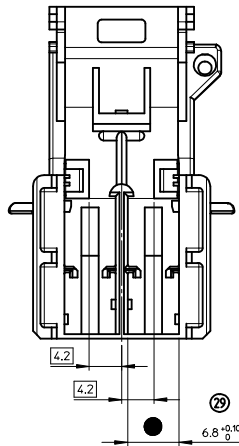
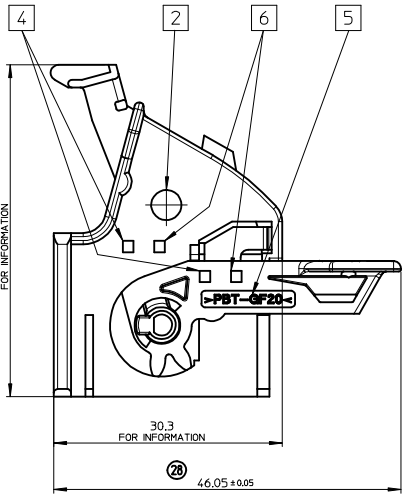
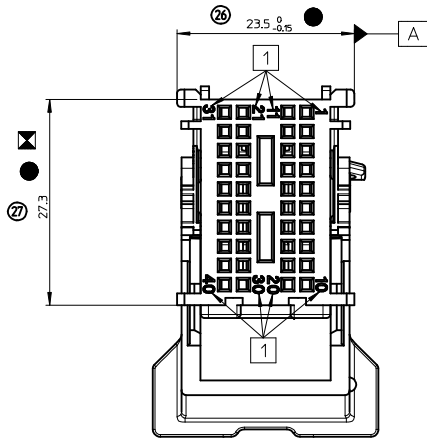


☒	INDICATION DIMENSIONS S.P.C DENOTES 'S.P.C DIMENSIONS'	
●	INDICATION DIMENSIONS CRITIQUES DENOTES 'CRITICAL DIMENSIONS'	
●	INDICATION DIMENSIONS FONCTIONNELLES DENOTES 'FUNCTIONAL DIMENSIONS'	
☒	QUANTITE PAR FEUILLE INDIVIDUELLE QUANTITY PER INDIVIDUAL SHEET	
☒ 0	☒ 0	● 15



FIRST RELEASE EC NO: GZ008-0096 DRAWN: POUCHAUD 2007/10/15 CHECKED: YIGEL 2007/10/15 APPR: LSTICKEIR 2007/10/15	QUALITY SYMBOLS $\nabla=0$ $\nabla=0$	GENERAL TOLERANCES (UNLESS SPECIFIED)		DIMENSION STYLE MM ONLY	SCALE 3:1	DESIGN UNITS METRIC	THIRD ANGLE PROJECTION		
		4 PLACES ± --- ± --- 3 PLACES ± --- ± --- 2 PLACES ± 0.05 ± --- 1 PLACE ± 0.10 ± ---	mm INCH	DRAWN BY POUCHAUD	DATE 2007/09/05	TITLE MOX MOUNT HSG RCPT CONN 40CKT			
		ANGULAR ± 2°	DRAFT WHERE APPLICABLE MUST REMAIN WITHIN DIMENSIONS	CHECKED BY YIGEL	DATE 2007/09/05	APPROVED BY LSTICKEIR			
		MATERIAL NO.	SEE CHART	DATE 2007/09/10	MOLEX INCORPORATED	DOCUMENT NO. SD-98982-002	SHEET NO. 1 OF 2		

⊠	INDICATION DIMENSIONS S.P.C DENOTES S.P.C DIMENSIONS
⊗	INDICATION DIMENSIONS CRITIQUES DENOTES CRITICAL DIMENSIONS
●	INDICATION DIMENSIONS FONCTIONNELLES DENOTES FUNCTIONAL DIMENSIONS
QUANTITE PAR FEUILLE INDIVIDUELLE QUANTITY PER INDIVIDUAL SHEET	
⊠ 1	⊗ 0
● 4	



MARKINGS

- 1 - CAVITY NUMBER
- 2 - DATUM MONTH/YEAR
- 3 - MOLEX MARK
- 4 - IMPRESSION MARK
- 5 - RAW MATERIAL
- 6 - REVISION LEVEL

NOTES :

- FOR ILLUSTRATION PURPOSE, THE MOX HOUSING SHOWN IS THE BLACK CODING P/N 0989821021. FOR OTHER COLOR VERSION, SEE CODING CHART.
- PRODUCT QUALIFIED ACCORDING TO PSA NORM: 9629764699A.
- APPLICATION SPECIFICATION: RAS-98982-001.
- INTERFACE DRAWING IS THE PROPERTY FROM PSA: 9633297199
- IN THE MOX HOUSING RECEPTACLE CONNECTOR, MOUNT JUST MOLEX MODULE 0989821010 AND 0989821016.

FIRST RELEASE
EC NO: GZ008-0096
DRAWN BY: LPOUCHAUD
CHKD BY: YIGEL
APPROVAL: LSTICKEIRDATE: 2007/10/15

Item	Amount	Unit	Description	Part-Number	Color	Material	Weight Calculated
B	1	Piece	MOX Rcpt Conn Lever Blk 40CKT	0989820031	BLACK	>PBT-GF20<	1.891 g
A	1	Piece	MOX Mounting HSG Rcpt Blk 40CKT	0989820021	BLACK	>PBT-GF20<	6.087 g

QUALITY SYMBOLS		GENERAL TOLERANCES (UNLESS SPECIFIED)		DIMENSION STYLE		SCALE	DESIGN UNITS	THIRD ANGLE PROJECTION	
▽=0	▽=0	mm	INCH	MM ONLY	MM ONLY	3:1	METRIC	THIRD ANGLE PROJECTION	
4 PLACES	± --- ± ---								
3 PLACES	± --- ± ---								
2 PLACES	± 0.05 ± ---								
1 PLACE	± 0.10 ± ---								
		ANGULAR ± 2 °							

DRAWN BY	DATE	TITLE
LPOUCHAUD	2007/09/05	MOX MOUNT HSG RCPT CONN 40CKT
CHECKED BY	DATE	
YIGEL	2007/09/05	
APPROVED BY	DATE	
LSTICKEIR	2007/09/10	

MATERIAL NO.		DOCUMENT NO.	
SEE CHART		SD-98982-002	
DRAFT WHERE APPLICABLE MUST REMAIN WITHIN DIMENSIONS		MOLEX INCORPORATED	
THIS DRAWING CONTAINS INFORMATION THAT IS PROPRIETARY TO MOLEX INCORPORATED AND SHOULD NOT BE USED WITHOUT WRITTEN PERMISSION		SHEET NO. 2 OF 2	