

# Wide-Band Chokes

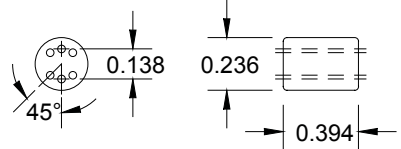
### Special Features

- High impedance
- Excellent EMI suppression capability at wide frequency range
- Low cost
- Differential & common mode configuration

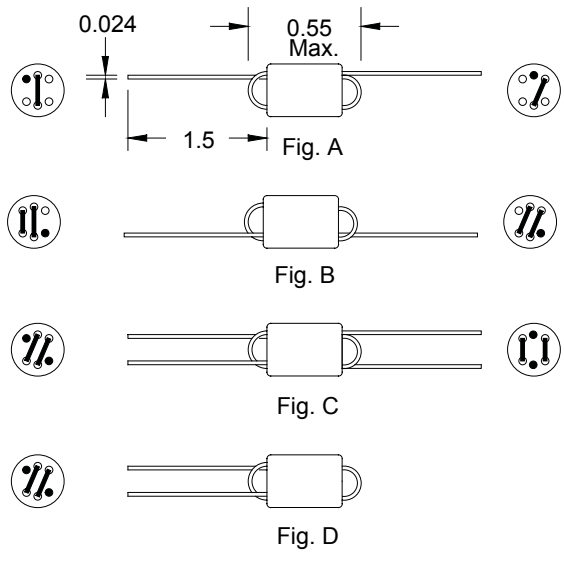
† RoHS Directive 2002/95/EC Jan 27 2003 including Annex.

FB2000 Series				
Part Number	No. of turns	Z (Ω)	Z (Ω)	Fig.
		±25 % @ 10MHz	±25 % @ 100MHz	
FB20009-3B-RC	1 1/2	225	400	A
FB20019-4B-RC	1 1/2	175	500	A
FB20010-3B-RC	2 1/2	460	785	B
FB20020-4B-RC	2 1/2	30	410	B
FB20011-3B-RC	2 x 1 1/2	215	415	C
FB20021-4B-RC	2 x 1 1/2	175	485	C
FB20022-4B-RC	3	430	900	D

“-RC” suffix indicates RoHS compliance.



Core Dimension



Dimensions: Inches