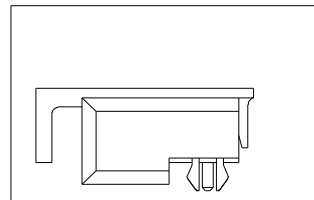
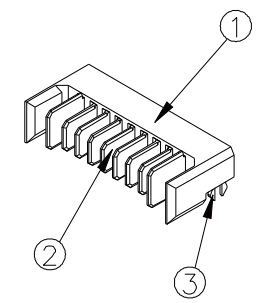
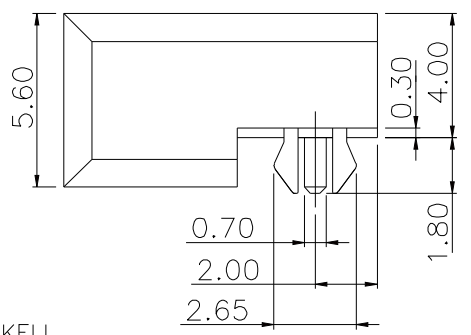
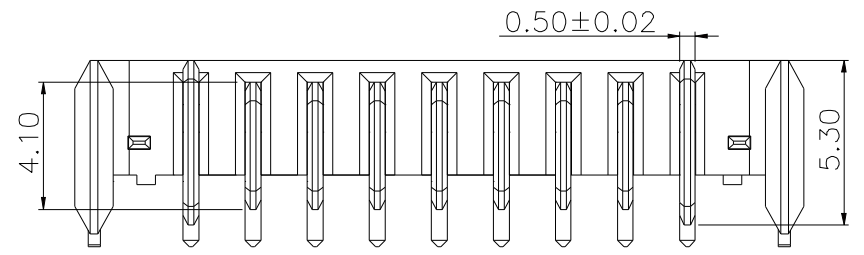
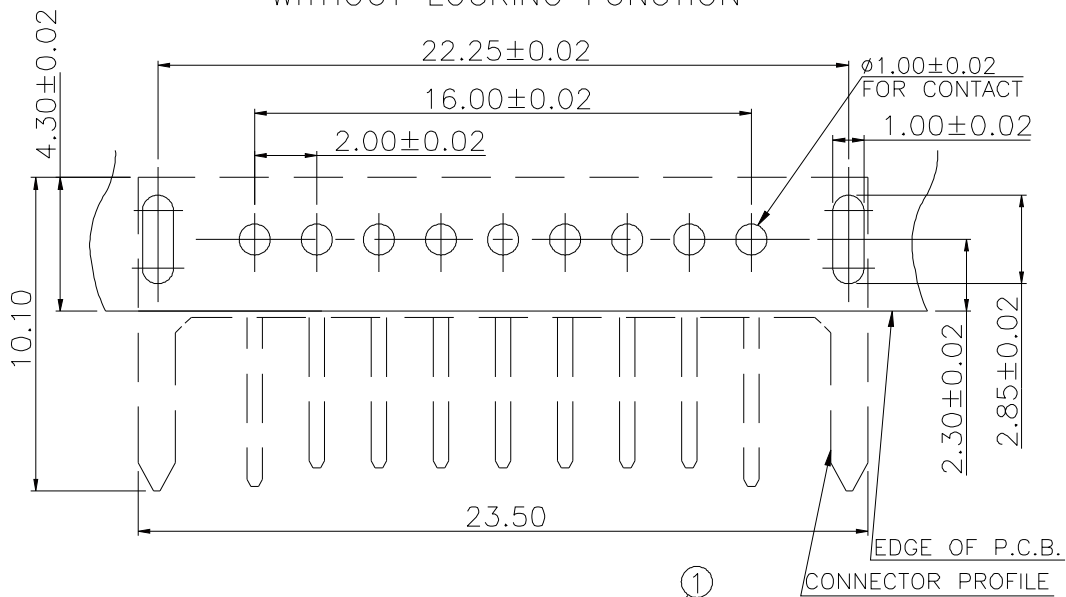
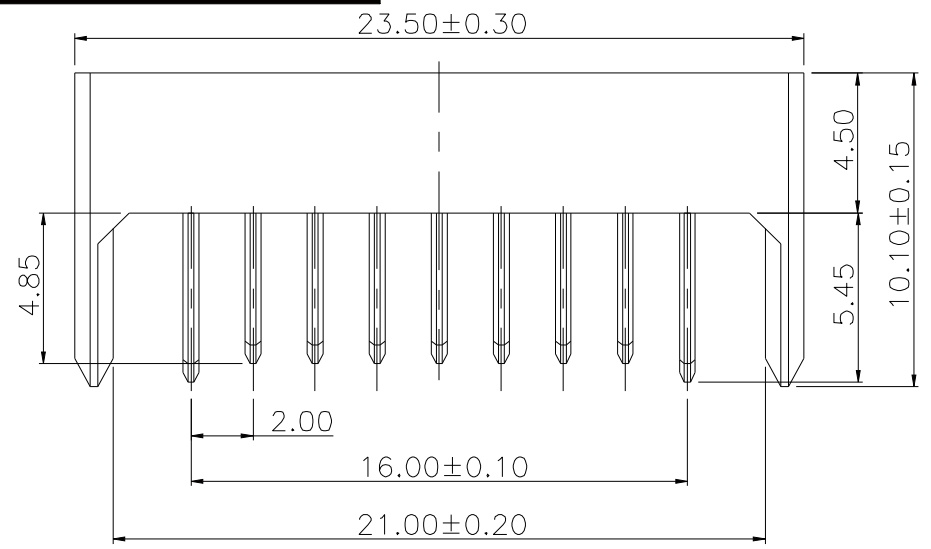


Pb **RoHS Compliant** **HSF**
 2002/95/EC
 Process Capable

Level-1 Controlled Substances are banned

RECOMMENDED P.C.B LAYOUT (COMPONENT SIDE)
 P.C.B THICKNESS=1.20mm
 WITHOUT LOCKING FUNCTION



成品與CAP搭配圖(供參考)

NOTE :
 200275MR009XX0PZR

1.PLATING

- G1-05u" GOLD OVER NICKEL
- G2-GOLD FLASH OVER NICKEL
- G3-10u" GOLD OVER NICKEL
- G4-15u" GOLD OVER NICKEL
- G5-30u" GOLD OVER NICKEL

PLATING

- 'F1,-05u" GOLD OVER NICKEL.
- 'F2,-0.6u"MIN. GOLD OVER NICKEL.
- 'F3,-10u" GOLD OVER NICKEL.
- 'F4,-15u" GOLD OVER NICKEL.
- 'F5,-30u" GOLD OVER NICKEL.

NO.	DESCRIPTION	MATERIAL	COLOR	REMARK
3	FORK	COPPER ALLOY	—	TIN PLATED
2	TERMINAL	COPPER ALLOY	—	GOLD PLATED
1	PLASTICS	HIGH TEMP PLASTICS	BLACK	UL94V-0

SUYIN
 CONNECTOR

CUSTOMER COPY	TITLE: 2.00mm PITCH BATTERY CONN.			
PART NO.	200275MR009XX0PZR			
PRODUCT SPEC.	200275MRXXXXX0PXX			
FILE NAME.	D	200275MR009XX0PZR-C		
SCALE	4:1	UNIT:mm	A4	SHEET: 1 of 2

DCBS	REV	DATE	DESCRIPTION	CHANGE	APPRO.	GENERAL TOLERANCE UNLESS OTHERWISE NOTED	APPRO.
DCBS-080513-03	0	08'/05/13	NEW RELEASE	邱清蘭	張裕奇	Angle ±2'	DRAW 邱清蘭 08'/07/16
DCB-071115-01	PC	07'/11/15	PC1:新增電鍍F5	彭春龍	張裕奇	30 ~ ±0.50	DESIGN 邱清蘭 08'/07/16
DCB-071026-05	PB	07'/10/26	PA1:修改尺寸<13>4.20=>4.00	李琳	許俊賢	10 ~ 30 ±0.30	CHECK 程夢麗 08'/07/16
ECN(DCN) NO.	REV	DATE	DESCRIPTION	CHANGE	APPRO.	GENERAL TOLERANCE UNLESS OTHERWISE NOTED	APPRO. 張裕奇 08'/07/16