

**PLEASE CHECK WWW.MOLEX.COM FOR LATEST PART INFORMATION**

**Part Number:** [0472669101](#)

**Status:** **Active**

**Overview:** high definition multimedia interface hdmi

**Description:** 0.50mm (.020") Pitch HDMI\* Receptacle, Right Angle, Black, Through Hole Shell Tab Length 1.90mm (.075"), 0.76µm (30µ") Gold (Au) Contact Plating, Gold (Au) Flash Solder Tail Plating, with Flange, Tray Packaging, Lead Free

**Documents:**

[3D Model](#)

[Product Specification PS-47152-001 \(PDF\)](#)

[Drawing \(PDF\)](#)

[RoHS Certificate of Compliance \(PDF\)](#)

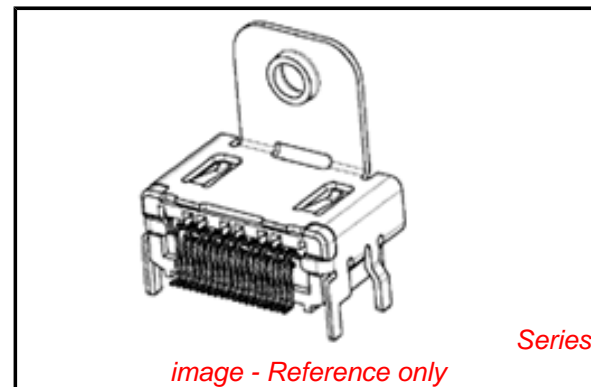
**General**

Product Family	I/O Connectors
Series	<a href="#">47266</a>
Application	Wire-to-Board
Comments	With Upper Flange
Component Type	Receptacle
Overview	<u>high definition multimedia interface hdmi</u>
Product Name	HDMI
Type	N/A

**Physical**

Boot Color	N/A
Circuits (Loaded)	19
Circuits (maximum)	19
Color - Resin	Black
Gender	Male
Keying to Mating Part	Yes
Lock to Mating Part	Yes
Material - Metal	Copper Alloy
Material - Plating Mating	Gold
Material - Plating Termination	Gold
Material - Resin	High Temperature Thermoplastic
Number of Rows	2
Orientation	Right Angle
PCB Locator	Yes
PCB Retention	Yes
Packaging Type	Tray
Panel Mount	Yes
Pitch - Mating Interface (in)	0.020 In
Pitch - Mating Interface (mm)	0.50 mm
Pitch - Term. Interface (in)	0.020 In
Pitch - Term. Interface (mm)	0.50 mm
Plating min: Mating (µin)	30
Plating min: Mating (µm)	0.76
Plating min: Termination (µin)	2
Plating min: Termination (µm)	0.05
Polarized to Mating Part	Yes
Polarized to PCB	Yes
Ports	1
Temperature Range - Operating	-20°C to +85°C
Termination Interface: Style	Surface Mount
Waterproof / Dustproof	No
Wire Size AWG	N/A

**Electrical**



**EU RoHS**

**ELV and RoHS  
Compliant**  
**REACH SVHC  
Not Reviewed**  
**Halogen-Free  
Status  
Not Reviewed**

**China RoHS**



**Need more information on product  
environmental compliance?**

Email [productcompliance@molex.com](mailto:productcompliance@molex.com)  
For a multiple part number RoHS Certificate of  
Compliance, [click here](#)

Please visit the [Contact Us](#) section for any  
non-product compliance questions.

**Search Parts in this Series**

[47266Series](#)

**Mates With**

[88768](#) HDMI cable assembly, [88764](#) HDMI  
Adapter, [88767](#) HDMI Adapter

Current - Maximum per Contact	0.5A
Shield Type	Full Shield
Shielded	Yes
Voltage - Maximum	40V DC

### **Material Info**

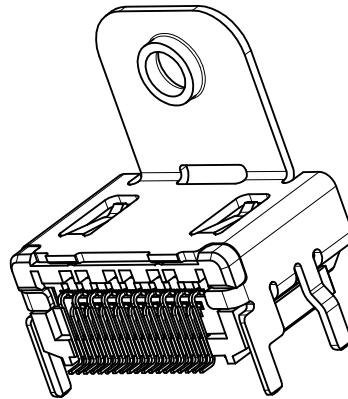
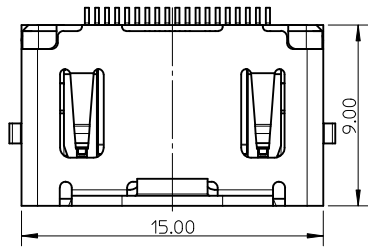
### **Reference - Drawing Numbers**

Packaging Specification	PK-47266-006
Product Specification	PS-47152-001
Sales Drawing	SD-47266-009

\* High Definition Multimedia Interface and HDMI are trademarks of HDMI Licensing, LLC.

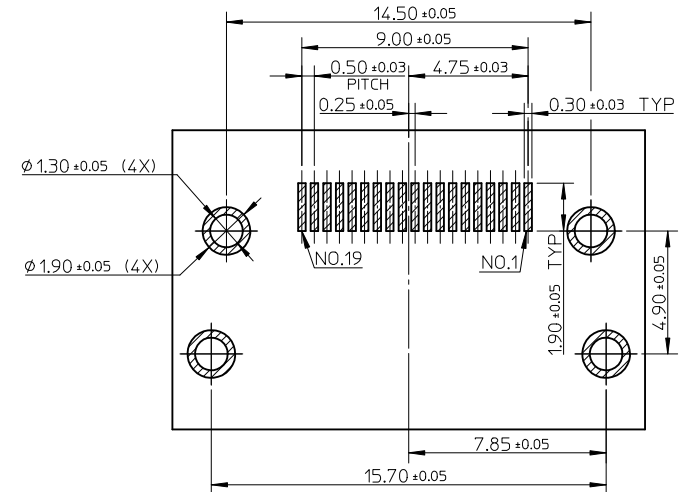
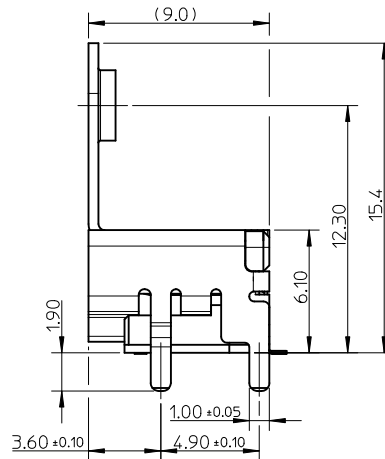
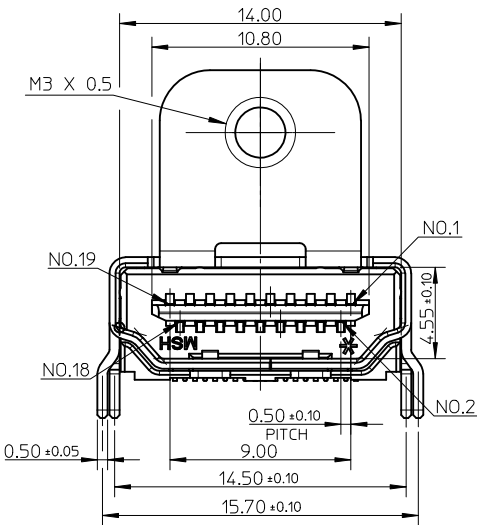
This document was generated on 05/19/2010

**PLEASE CHECK [WWW.MOLEX.COM](http://WWW.MOLEX.COM) FOR LATEST PART INFORMATION**

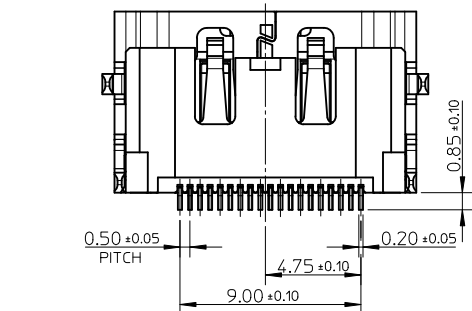


NOTES:

1. MATERIAL:
  - HOUSING: HIGH TEMPERATURE THERMAL PLASTIC. COLOR: BLACK.
  - SHELL: COPPER ALLOY.
  - TERMINAL: COPPER ALLOY.
2. PLATING:
  - TERMINAL:
    - CONTACT AREA: 0.76 MICROMETER MIN. GOLD PLATING.
    - SOLDER AREA: GOLD FLASH PLATING.
    - UNDER PLATE: 1.27 MICROMETER MIN. NICKEL.
  - SHELL: 0.75 MICROMETER MIN. SOLDERABLE NICKEL PLATE OVERALL.
3. TERMINAL RETENTION FORCE TO BE 0.3kgf MIN.
4. PRODUCT SPECIFICATION: PS-47152-001.
5. PACKAGE SPECIFICATION: SEE TABLE.
6. COPLANARITY OF ALL TERMINALS IS 0.10mm MAX.
7. PRODUCT COMPLIANT TO RoHS DIRECTIVE 2002/95/EC AND ELV DIRECTIVE 2000/53/EC.



RECOMMEND PCB LAYOUT  
CONNECTOR SIDE VIEW



47266-9101	TRAY, REFER TO PK-47266-006
47266-9001	TAPE REEL, REFER TO PK-47266-003
P/N	PACKAGE SPECIFICATION

REVISED EC NO: SH2010-0165 DRWN:XOZHANG 2009/11/03 CHKD:GLLI 2009/11/03 APPR:XJSONG 2010/01/28	QUALITY SYMBOLS $F_A=0$ $F_C=0$ $F_P=0$	GENERAL TOLERANCES (UNLESS SPECIFIED)		DIMENSION STYLE MM ONLY		SCALE 4:1	DESIGN UNITS METRIC	THIRD ANGLE PROJECTION	
			mm	INCH	DRAWN BY	DATE	TITLE		
		4 PLACES	± ---	± ---	CHEN BO	2007/08/23	HDMI RECEPTACLE W/SCREW R/A SMT TYPE		
		3 PLACES	± ---	± ---	CHECKED BY	DATE	MOLEX INCORPORATED		
	2 PLACES	± 0.20	± ---	JOHNSON	2007/08/23	DOCUMENT NO.			
	1 PLACE	± 0.30	± ---	APPROVED BY	DATE	SHEET NO.			
	ANGULAR ± 2 °		MATERIAL NO.		SEE TABLE		SD-47266-009		
DRAFT WHERE APPLICABLE MUST REMAIN WITHIN DIMENSIONS		SIZE		THIS DRAWING CONTAINS INFORMATION THAT IS PROPRIETARY TO MOLEX INCORPORATED AND SHOULD NOT BE USED WITHOUT WRITTEN PERMISSION					