

PLEASE CHECK WWW.MOLEX.COM FOR LATEST PART INFORMATION

Part Number: [0766912108](#)
Status: **Active**
Overview:
Description: 0.80 mm (.031") Pitch EdgeLine™ 12.5 Gbps Edge Card Connector, 108 Circuits, 3 Bays, PCB Mating Thickness 1.57mm (.062")

Agency Certification

UL E29179

General

Product Family Edge Card Connectors
 Series [76691](#)
 Component Type Edgecard to PCB
 Overview [edgeline_high_speed_connectors](#)
 Product Name EdgeLine™

Physical

Circuits (Loaded) 108
 Circuits (maximum) 108
 Circuits Detail All Signal
 Color - Resin Black
 Durability (mating cycles max) 200
 Entry Angle Vertical
 Keying to Mating Part Yes
 Material - Metal Copper Alloy
 Material - Plating Mating Gold over Nickel
 Material - Plating Termination Tin
 Material - Resin High Temperature Thermoplastic
 PC Tail Length (in) 0.091 In
 PC Tail Length (mm) 2.30 mm
 PCB Locator Yes
 PCB Retention Yes
 PCB Thickness Recommended (in) 0.062 In
 PCB Thickness Recommended (mm) 1.57 mm
 Packaging Type Tray
 Panel Mount No
 Pitch - Mating Interface (in) 0.031 In
 Pitch - Mating Interface (mm) 0.80 mm
 Pitch - Term. Interface (in) 0.031 In
 Pitch - Term. Interface (mm) 0.80 mm
 Plating min: Mating (µin) 30
 Plating min: Mating (µm) 0.76
 Plating min: Termination (µin) 30
 Plating min: Termination (µm) 0.76
 Temperature Range - Operating -40°C to +85°C
 Termination Interface: Style N/A

Electrical

Current - Maximum per Contact 1.5A
 Voltage - Maximum 250V AC

Material Info

Reference - Drawing Numbers

Packaging Specification PK-76693-900
 Product Specification PS-75594-999
 Sales Drawing SD-76691-100

EU RoHS

**ELV and RoHS
Compliant**

REACH SVHC

Contains SVHC: No

**Halogen-Free
Status**

Not Reviewed

China RoHS



**Need more information on product
environmental compliance?**

Email productcompliance@molex.com
 For a multiple part number RoHS Certificate of Compliance, [click here](#)

Please visit the [Contact Us](#) section for any non-product compliance questions.

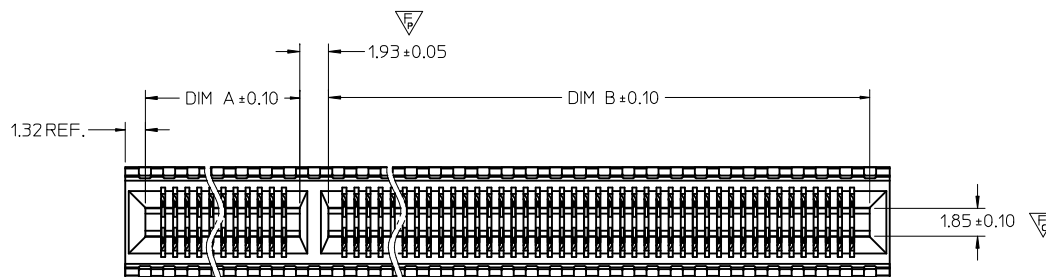
Search Parts in this Series

[76691Series](#)

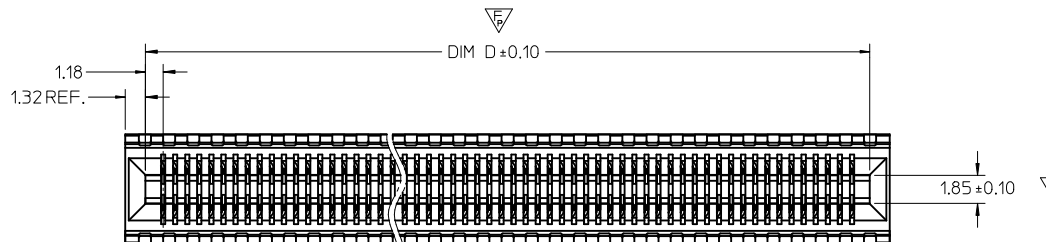
This document was generated on 06/04/2010

PLEASE CHECK WWW.MOLEX.COM FOR LATEST PART INFORMATION

| PART NUMBER | VERSION | BAY 1/BAY 2 | TOTAL CIRCUITS | DIM A | DIM B | DIM C | DIM D | MAX DIFF. PAIRS | STATUS |
|-------------|---------|-------------|----------------|-------|--------|--------|-------|-----------------|--------|
| 76691-2278 | 2 BAY | 132/146 | 278 | 54.23 | 59.83 | 118.63 | ----- | 92 | TOOLED |
| 76691-1200 | 1 BAY | 200 | 200 | ----- | ----- | 84.20 | 81.55 | 66 | TOOLED |
| 76691-2214 | 2 BAY | 20/194 | 214 | 9.43 | 79.03 | 93.03 | ----- | 70 | ----- |
| 76691-1130 | 1 BAY | 130 | 130 | ----- | ----- | 56.20 | 53.55 | 42 | ----- |
| 76691-2108 | 2 BAY | 22/86 | 108 | 10.23 | 35.83 | 50.63 | ----- | 36 | TOOLED |
| 76691-2200 | 2 BAY | 100/100 | 200 | 41.43 | 41.43 | 87.43 | ----- | 64 | ----- |
| 76691-2294 | 2 BAY | 32/278 | 294 | 14.23 | 106.23 | 125.03 | ----- | 98 | ----- |
| 76691-1046 | 1 BAY | 46 | 46 | ----- | ----- | 22.60 | 19.95 | ----- | TOOLED |
| 76691-1020 | 1 BAY | 20 | 20 | ----- | ----- | 12.20 | 9.55 | ----- | ----- |
| 76691-2080 | 2 BAY | 28/52 | 80 | 12.63 | 22.23 | 39.43 | ----- | ----- | TOOLED |
| 76691-9046* | 1 BAY | 46 | 46 | ----- | ----- | 22.60 | 19.95 | ----- | TOOLED |



2 BAY HSEC

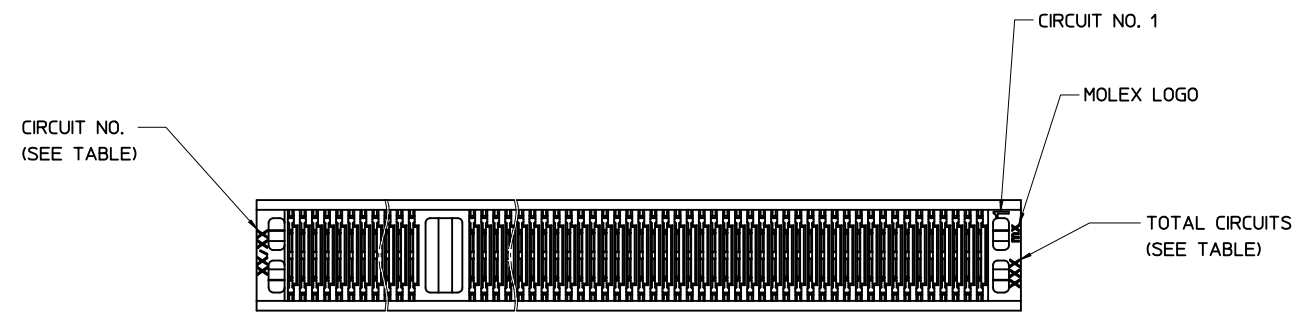
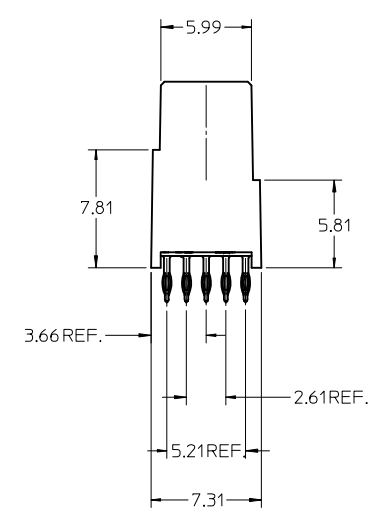
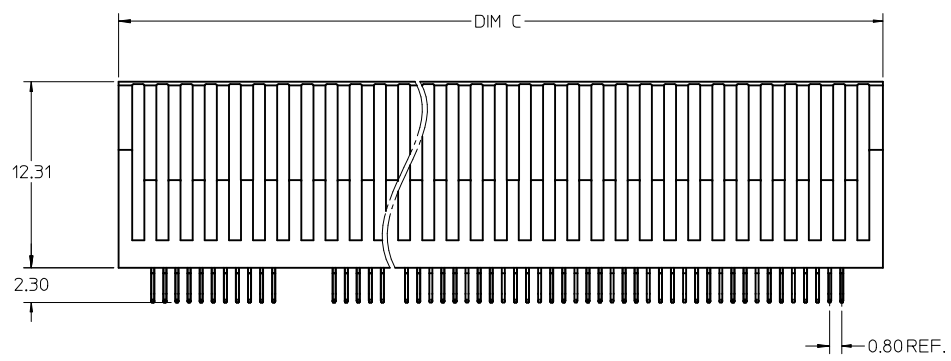


1 BAY HSEC

NOTES:

- MATERIAL:
HOUSING - GLASS FILLED THERMOPLASTIC, 94-V0, BLACK
TERMINALS - COPPER ALLOY
- FINISH:
CONTACT AREA: HARD GOLD -0.76µm MIN OVER 3.80µ NICKEL
COMPLIANT AREA: TIN - 0.76/1.52µm OVER NICKEL
* SPECIAL FINISH:
CONTACT AREA: HARD GOLD -0.76µm MIN OVER 3.80µ NICKEL
COMPLIANT AREA: TIN-LEAD - 0.76/1.52µm OVER NICKEL
- REFER TO PS-75594-999 PRODUCT SPECIFICATION FOR ALL ELECTRICAL, MECHANICAL AND ENVIROMENTAL SPECIFICATIONS.
- REFER TO PK-76693-900 FOR ALL PACKAGING SPECIFICATIONS.
- PROCESSING: PRESSFIT TO PC BOARD.
- MATING PC BOARD THICKNESS = 1.60±0.16MM OVER CONTACT PADS.
- PRODUCT IS ELV AND RoHS COMPLIANT. LEVEL OF COMPLIANCE: 6/6
ALL BANNED SUBSTANCES ARE REMOVED:
Pb (LEAD)
HEXAVALENT CHROMIUM (CrVI)
CADMIUM
MERCURY
POLYBRMINATED BIPHENYL (PBB)
POLYBROMINATED DIPHENYL ETHER (PBDE)
- THIS PART CONFORMS TO CLASS B REQUIREMENTS OF COSMETIC SPEC PS-45499-002

| | | | | | | | | | |
|--|----------------------|---|----|-----------------------------------|-------------------------|----------------------------|--|------------------------|--|
| MARKED 1046 AS TOOLED EC NO: UCP2010-2476 DRWING: DROSCA 2010/02/11 CHKD: JCOMERCI 07/21/08 APPR: JCOMERCI 2010/03/29 | QUALITY SYMBOLS | GENERAL TOLERANCES (UNLESS SPECIFIED) | | DIMENSION STYLE MM ONLY | | SCALE 4:1 | DESIGN UNITS METRIC | THIRD ANGLE PROJECTION | |
| | ▽ = 0 | 4 PLACES ± --- ± --- | mm | INCH | DRAWN BY DROSCA | DATE 07/21/08 | EDGE LINE 12.5GB 0.062*PCB/0.8MM PITCH EDGE CARD CONNECTOR MOLEX INCORPORATED | | |
| | ▽ = 2 | 3 PLACES ± --- ± --- | | | CHECKED BY JCOMERCI | DATE 07/21/08 | | | |
| | ▽ = 2 | 2 PLACES ± 0.13 ± --- | | | APPROVED BY JCOMERCI | DATE 07/21/08 | SD-76691-100 DOCUMENT NO. | | |
| ▽ = 2 | 1 PLACE ± 0.25 ± --- | | | MATERIAL NO. SEE TABLE | | SHEET NO. 1 OF 6 | | | |
| DRAFT WHERE APPLICABLE MUST REMAIN WITHIN DIMENSIONS | | THIS DRAWING CONTAINS INFORMATION THAT IS PROPRIETARY TO MOLEX INCORPORATED AND SHOULD NOT BE USED WITHOUT WRITTEN PERMISSION | | | | | | | |



| | | |
|-------------|---------------------|------------|
| SEE SHEET 1 | EC NO: UCP2010-2476 | 2010/02/11 |
| | DRWN: DROSCA | 07/21/08 |
| | CHKD: JCOMERC I | |
| | APPR: JCOMERC I | 2010/03/29 |
| REV | DESCRIPTION | |
| A4 | | |

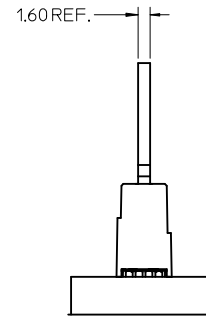
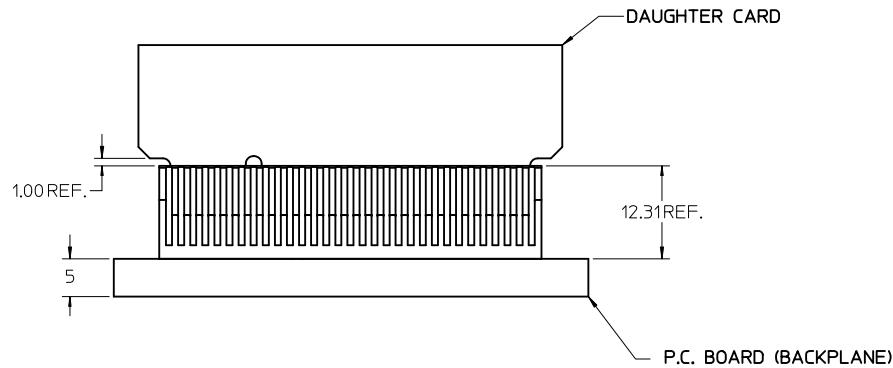
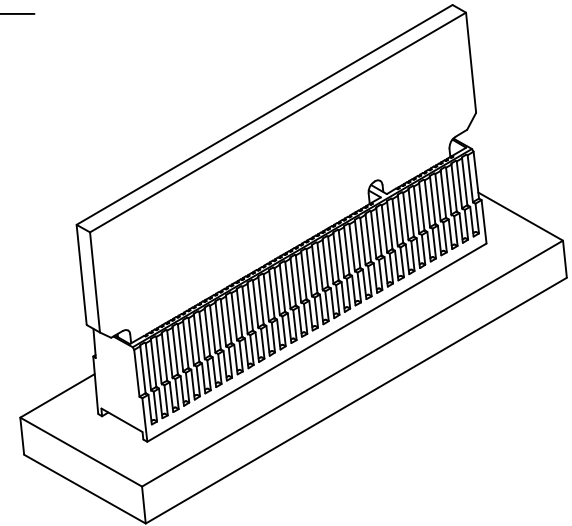
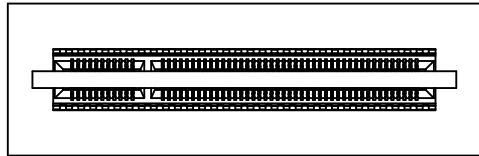
| |
|-----------------|
| QUALITY SYMBOLS |
| ▽=0 |
| ▽=0 |

| | |
|--|--------------|
| GENERAL TOLERANCES (UNLESS SPECIFIED) | |
| | mm INCH |
| 4 PLACES | ± --- ± --- |
| 3 PLACES | ± --- ± --- |
| 2 PLACES | ± 0.13 ± --- |
| 1 PLACE | ± 0.25 ± --- |
| ANGULAR ± 1/2° | |
| DRAFT WHERE APPLICABLE MUST REMAIN WITHIN DIMENSIONS | |

| | |
|-----------------|----------|
| DIMENSION STYLE | |
| MM ONLY | |
| DRAWN BY | DATE |
| DROSCA | 07/21/08 |
| CHECKED BY | DATE |
| JCOMERC I | 07/21/08 |
| APPROVED BY | DATE |
| JCOMERC I | 07/21/08 |
| MATERIAL NO. | |
| SEE SHEET 1 | |
| SIZE | |
| C | |

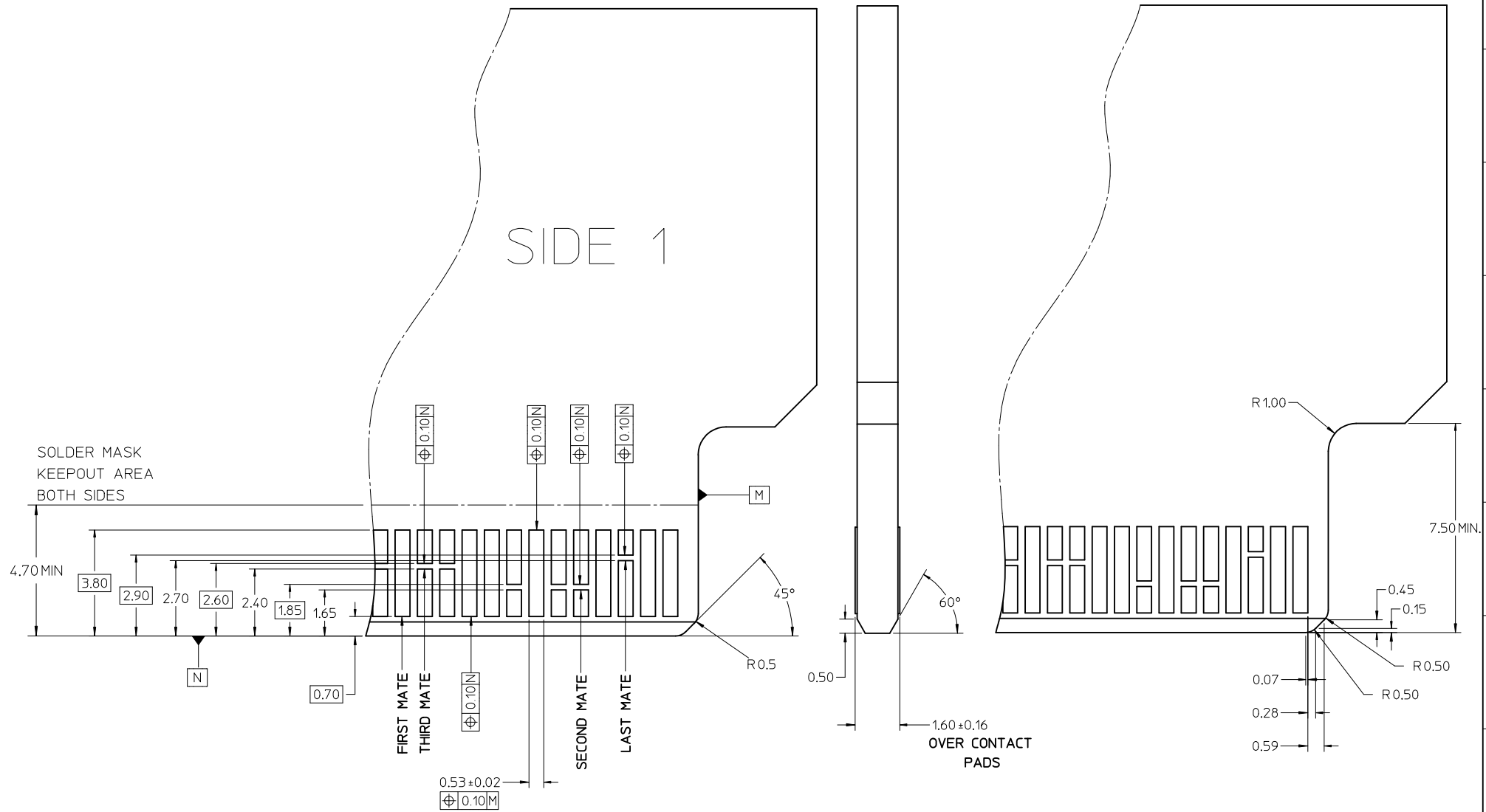
| | | |
|---|--------------|------------------------|
| SCALE | DESIGN UNITS | THIRD ANGLE PROJECTION |
| 2:1 | METRIC | |
| TITLE | | |
| EDGE LINE 12.5GB 0.062"PCB/0.8MM PITCH EDGE CARD CONNECTOR | | |
| MOLEX INCORPORATED | | SHEET NO. |
| DOCUMENT NO. SD-76691-100 | | 2 OF 6 |
| THIS DRAWING CONTAINS INFORMATION THAT IS PROPRIETARY TO MOLEX INCORPORATED AND SHOULD NOT BE USED WITHOUT WRITTEN PERMISSION | | |

P.C. BOARD MOUNTING



| | | | | | | | |
|---|--------------------|---|--|--|---------------------|------------------------------------|---------------------------------------|
| SEE SHEET 1 IEC NO: UCP2010-2476 DRWN: DROSCA 2010/02/11 CHKD: JCOMERC I 07/21/08 APPR: JCOMERC I 2010/03/29 | DESCRIPTION REV | QUALITY SYMBOLS ▽=0 ▽=0 | GENERAL TOLERANCES (UNLESS SPECIFIED) | DIMENSION STYLE MM ONLY | SCALE 1:1 | DESIGN UNITS METRIC | THIRD ANGLE PROJECTION |
| | | 4 PLACES ± --- ± --- 3 PLACES ± --- ± --- 2 PLACES ± 0.13 ± --- 1 PLACE ± 0.25 ± --- | DRAWN BY DATE DROSCA 07/21/08 | TITLE EDGE LINE 12.5GB 0.062*PCB/0.8MM PITCH EDGE CARD CONNECTOR | | | |
| | | ANGULAR ± 1/2° | | | | | CHECKED BY DATE JCOMERC I 07/21/08 |
| | | A4 | DRAFT WHERE APPLICABLE MUST REMAIN WITHIN DIMENSIONS | APPROVED BY DATE JCOMERC I 07/21/08 | | MATERIAL NO. SEE SHEET 1 | DOCUMENT NO. SD-76691-100 |
| THIS DRAWING CONTAINS INFORMATION THAT IS PROPRIETARY TO MOLEX INCORPORATED AND SHOULD NOT BE USED WITHOUT WRITTEN PERMISSION | | | | | | | |

MODULE EDGE CARD CONTACT DETAIL



Note:

These are generic details that describe the configuration of various PCB design elements. The customer must determine where and when to use each element to accommodate their specific application.*

| | | | | | | | | |
|--|-------------------------------|--|----------------------|-----------------------------------|---|--|------------------------|--|
| SEE SHEET 1 EC NO: UCP2010-2476 DRW: DROSCA 2010/02/11 CHKD: JCOMERCI 07/21/08 APPR: JCOMERCI 2010/03/29 | QUALITY SYMBOLS ▽=0 ▽=0 | GENERAL TOLERANCES (UNLESS SPECIFIED) | | DIMENSION STYLE MM ONLY | SCALE 10:1 | DESIGN UNITS METRIC | THIRD ANGLE PROJECTION | |
| | | 4 PLACES ± --- ± --- | 3 PLACES ± --- ± --- | DRAWN BY DROSCA | DATE 07/21/08 | TITLE EDGE LINE 12.5GB 0.062"PCB/0.8MM PITCH EDGE CARD CONNECTOR | | |
| | | 2 PLACES ± 0.13 ± --- | 1 PLACE ± 0.25 ± --- | CHECKED BY JCOMERCI | DATE 07/21/08 | MOLEX INCORPORATED | | |
| | | ANGULAR ± 1/2° | | APPROVED BY JCOMERCI | DATE 07/21/08 | DOCUMENT NO. SD-76691-100 | | |
| A4 | DESCRIPTION | DRAFT WHERE APPLICABLE MUST REMAIN WITHIN DIMENSIONS | | SIZE C | THIS DRAWING CONTAINS INFORMATION THAT IS PROPRIETARY TO MOLEX INCORPORATED AND SHOULD NOT BE USED WITHOUT WRITTEN PERMISSION | | | |
| | | | | SEE SHEET 1 | SHEET NO. 5 OF 6 | | | |

