

PLEASE CHECK WWW.MOLEX.COM FOR LATEST PART INFORMATION

Part Number: [0556591439](#)
Status: **Active**
Overview: [mini_mi_ii](#)
Description: 1.25mm (.049") Pitch Mini Mi II™ Wire-to-Wire Adapter, Dual Row, without Panel Mount Clip, 14 Circuits, Lead-free

Documents:

[3D Model](#) [Product Specification PS-55659-005 \(PDF\)](#)
[Drawing \(PDF\)](#) [RoHS Certificate of Compliance \(PDF\)](#)

General

Product Family	Accessories
Series	55659
Component Type	Adapter
Overview	mini_mi_ii
Product Name	Mini Mi II™

Physical

Circuits (Loaded)	14
Color - Resin	Natural
Gender	Male
Material - Metal	Brass
Material - Plating Mating	Tin
Material - Plating Termination	Tin
Material - Resin	Nylon
Number of Rows	2
Packaging Type	Bag
Plating min: Mating (µin)	40
Plating min: Mating (µm)	1.00
Plating min: Termination (µin)	40
Plating min: Termination (µm)	1.00
Temperature Range - Operating	-20°C to +80°C

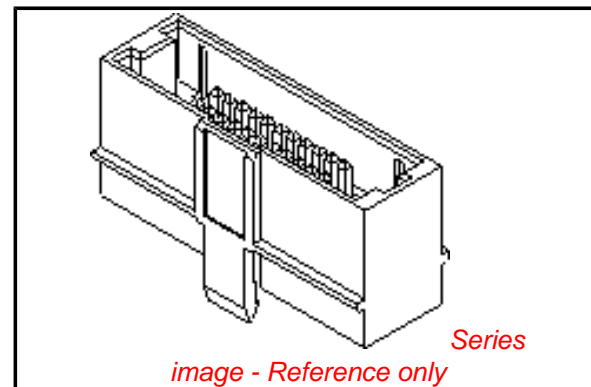
Electrical

Current - Maximum per Contact	1.5A
-------------------------------	------

Material Info

Reference - Drawing Numbers

Product Specification	PS-55659-005
Sales Drawing	SD-55659-005



EU RoHS

**ELV and RoHS
Compliant**
**REACH SVHC
Contains SVHC: No**
**Halogen-Free
Status**

China RoHS



Not Reviewed

**Need more information on product
environmental compliance?**

Email productcompliance@molex.com
 For a multiple part number RoHS Certificate of Compliance, [click here](#)

Please visit the [Contact Us](#) section for any non-product compliance questions.

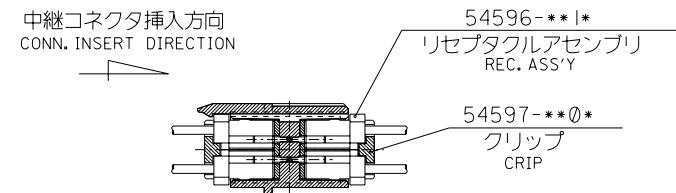
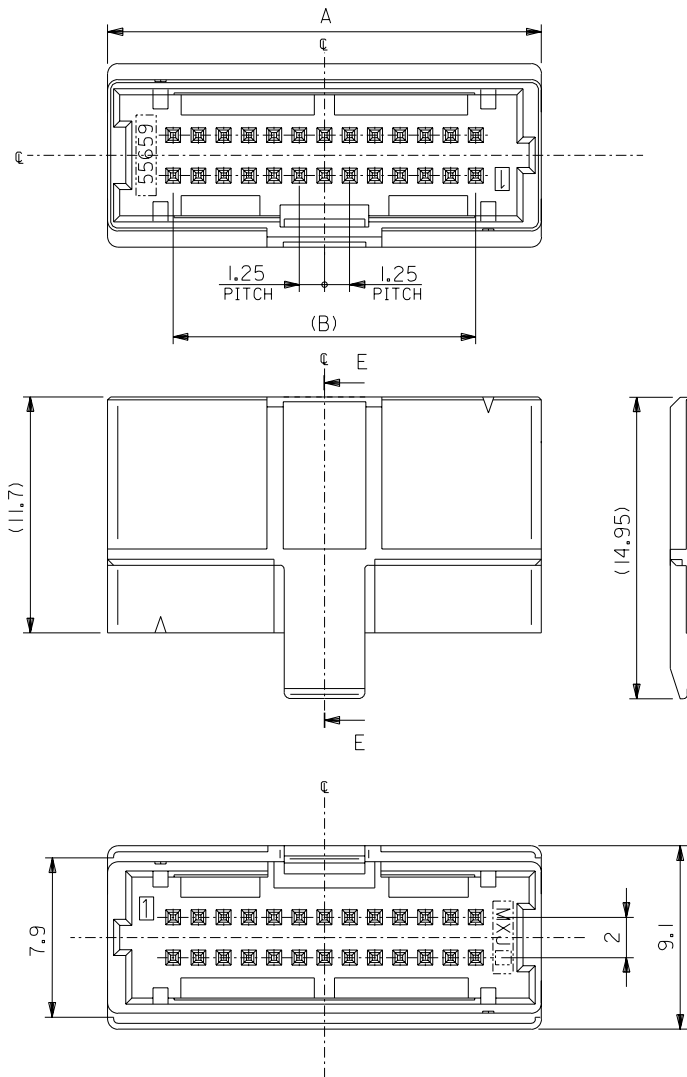
Search Parts in this Series

[55659Series](#)

Use With

[54596 IDT Housing](#)

DWG. NO. SD-55659-005



嵌合状態図
MATED & MOUNTED CONNECTOR

23.75	30.25	40	55659-4039	55659-***39
22.5	29	38	55659-3839	
21.25	27.75	36	55659-3639	
20	26.5	34	55659-3439	
18.75	25.25	32	55659-3239	
17.5	24	30	55659-3039	
16.25	22.75	28	55659-2839	
15	21.5	26	55659-2639	
13.75	20.25	24	55659-2439	
12.5	19	22	55659-2239	
11.25	17.75	20	55659-2039	
10	16.5	18	55659-1839	
8.75	15.25	16	55659-1639	
7.5	14	14	55659-1439	
6.25	12.75	12	55659-1239	
5	11.5	10	55659-1039	
B	A	CKT	MATERIAL NO.	MODEL NO.

注記
NOTES

1. 材質
MATERIAL
ウエハー: ナイロン、UL-94V0
WAFER: NYLON, UL94-V0
ピン: 黄銅、スズメッキ
PIN: BRASS, PRE-TINNED

2. 嵌合相手
MATES WITH
リセプタクルアセンブリ: 54596-***I*
REC. ASS'Y: 54596-***I*
クリップ: 54597-***0*
CRIP: 54597-***0*

3. 本製品は 55659-***30 の鉛フリー品である。
THIS PRODUCT IS LEAD FREE OF 55659-***30.

DO NOT SCALE DRAWING

EC NO. DRWN: CHK: APPR:	EC NO. DRWN: CHK: APPR:	EC NO. DRWN: CHK: APPR:	EC NO. DRWN: CHK: APPR:	EC NO. DRWN: CHK: APPR:	新規格作成 RELEASED EC NO. J2004-4572 DRWN: T.UENO CHK: M.SASAO APPR: M.SASAO	MATERIAL 材料 SEE CHART	GENERAL TOLERANCES: (UNLESS SPECIFIED) 一般公差	SCALE 4-1	DESIGN UNITS <input checked="" type="checkbox"/> mm <input type="checkbox"/> INCH	THIRD ANGLE PROJECTION	DIMENSIONS: <input type="checkbox"/> mm <input type="checkbox"/> INCH <input checked="" type="checkbox"/> mm ONLY	SHT REV
					0	FINISH 仕上げ —	10 UNDER 未満 ±0.2	DRAWN BY & DATE T.UENO '04/06/03	TITLE: Mini MiII 2-ROW RELAY WAFER ASS'Y -LEAD FREE-			
						WIRE RANGE 適用電線範囲 —	10 OVER 30 UNDER 以上 未満 ±0.25	CHECKED BY & DATE M.SASAO '04/06/03	MATERIAL NO. DRAWING NO. SHEET NO. SEE CHART SD-55659-005 1 OF 1			
						INS. RANGE 被覆外径 —	30 OVER 以上 ±0.3	APPROVED BY & DATE M.SASAO '04/06/03	THIS DRAWING CONTAINS INFORMATION THAT IS PROPRIETARY TO MOLEX INCORPORATED AND SHOULD NOT BE USED WITHOUT WRITTEN PERMISSION.			
							ANGLE 角度 ±3°	CAD FILENAME SD-55659-005.S01	SIZE B			

SD-55659-005.S01