

PLEASE CHECK WWW.MOLEX.COM FOR LATEST PART INFORMATION

Part Number: [0885236904](#)
Status: **Active**
Overview: [fiber optic product families](#)
Description: SC-to-SC, Singlemode, 9/125µm/G652, Duplex, 90D, 3.00mm (.118"), Standard Fiber Optic Cable Assembly, 5.0m (16.40')

Documents:

[Drawing \(PDF\)](#) [RoHS Certificate of Compliance \(PDF\)](#)

General

Product Family	Fiber Optic Assemblies
Series	88523
Connector to Connector	SC-to-SC
Mode	Singlemode
Overview	fiber optic product families
Product Name	SC

Physical

Cable Length	5.0m (16.40')
Cable Size	3.00mm (.118")
Fiber (Core/Cladding)	9/125µm/G652
Single Ended	No
Wire/Cable Type	Duplex

Material Info

Reference - Drawing Numbers

Sales Drawing	SD-88523-094
---------------	--------------

EU RoHS
ELV and RoHS
Compliant
REACH SVHC
Not Reviewed
Halogen-Free
Status
Not Reviewed

China RoHS



Need more information on product environmental compliance?

Email productcompliance@molex.com
For a multiple part number RoHS Certificate of Compliance, [click here](#)

Please visit the [Contact Us](#) section for any non-product compliance questions.

Search Parts in this Series
[88523Series](#)

7

6

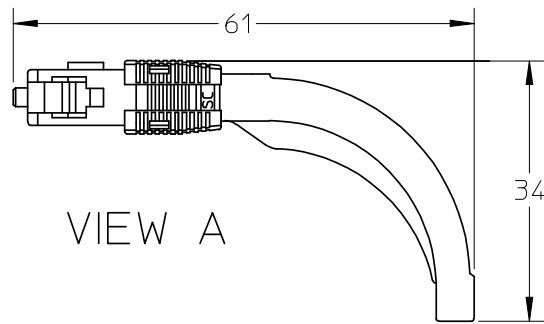
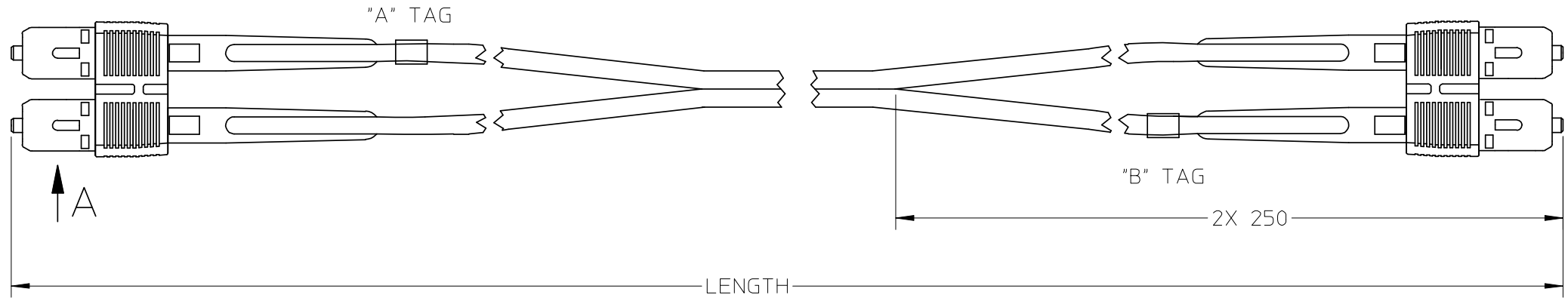
5

4

3

2

1



885236904	SC-SC DUP SM 90D 3MM 5M	5000(+200/-0)
885236902	SC-SC DUP SM 90D 3MM 3M	3000(+200/-0)
MX P/N	DESCRIPTION	LENGTH

NOTES:

- DUST CAPS ARE NOT SHOWN
- PER CHANNEL @ 1310nm
IL<=0.30dB
RL>50dB

ENTER DESCRIPTION EC NO: DG2009-0023 DRWN:XPCHEN CHKD: APPR: JOWANG	2008/08/04 2008/08/04 2008/08/04	DESCRIPTION REV	QUALITY SYMBOLS	GENERAL TOLERANCES (UNLESS SPECIFIED)		DIMENSION STYLE		SCALE	DESIGN UNITS	THIRD ANGLE PROJECTION		
			▼=0	mm	INCH	MM ONLY	---	METRIC	TITLE SC-SC DUP SM 90D 3MM			
			▽=0	4 PLACES ±---	±---	DRAWN BY	DATE	MATERIAL NO.			DOCUMENT NO.	SHEET NO.
				3 PLACES ±---	±---	XP	2008/07/15					
			2 PLACES ±---	±---	CHECKED BY	DATE	MOLEX INCORPORATED					
			1 PLACE ±---	±---	LISA	2008/07/15						
			ANGULAR ±---°	DRAFT WHERE APPLICABLE MUST REMAIN WITHIN DIMENSIONS		SEE TABLE		SD-88523-094		1 OF 1		
A						SIZE	THIS DRAWING CONTAINS INFORMATION THAT IS PROPRIETARY TO MOLEX INCORPORATED AND SHOULD NOT BE USED WITHOUT WRITTEN PERMISSION					

6

5

4

3

2

1