

PLEASE CHECK WWW.MOLEX.COM FOR LATEST PART INFORMATION

Part Number: [0039036022](#)
Status: **Active**
Overview: [standard_093](#)
Description: 2.36mm (.093") Diameter Standard .093" Pin and Socket Plug Housing With Positive Latch, UL 94V-2, 2 Circuits

Documents:

[3D Model](#) [Product Specification PS-3191-005 \(PDF\)](#)
[Drawing \(PDF\)](#) [RoHS Certificate of Compliance \(PDF\)](#)
[Product Specification PS-3191-001 \(PDF\)](#)

Agency Certification

| | |
|-----|-----------|
| CSA | LR19980 |
| TUV | R72081037 |
| UL | E29179 |

General

| | |
|----------------|------------------------------|
| Product Family | Crimp Housings |
| Series | 3191 |
| Comments | Polarized to Mating Part |
| Overview | standard_093 |
| Product Name | Standard .093" |

Physical

| | |
|-------------------------------|-----------------|
| Breakaway | No |
| Circuits (maximum) | 2 |
| Color - Resin | Natural |
| Flammability | 94V-2 |
| Gender | Dual |
| Glow-Wire Compliant | No |
| Keying to Mating Part | None |
| Lock to Mating Part | Yes |
| Material - Resin | Nylon |
| Number of Rows | 1 |
| Packaging Type | Bag |
| Panel Mount | No |
| Pitch - Mating Interface (in) | 0.264 In |
| Pitch - Mating Interface (mm) | 6.71 mm |
| Polarized to Mating Part | Yes |
| Stackable | No |
| Temperature Range - Operating | -40°C to +105°C |

Electrical

| | |
|-------------------------------|-----|
| Current - Maximum per Contact | 12A |
|-------------------------------|-----|

Material Info

| | |
|-----------------|-----------|
| Old Part Number | 3191-02P1 |
|-----------------|-----------|

Reference - Drawing Numbers

| | |
|-------------------------|--|
| Packaging Specification | SPK-3191-001 |
| Product Specification | PS-3191-001, PS-3191-005, RPS-3191-001 |
| Sales Drawing | SD-3191-02P1-* |

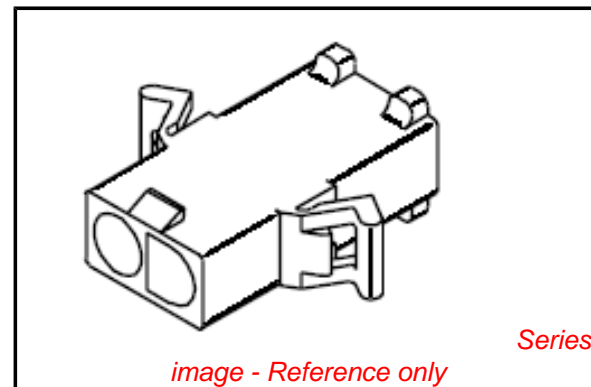


image - Reference only

EU RoHS

ELV and RoHS Compliant
REACH SVHC Contains SVHC: No
Halogen-Free
Status Not Reviewed

China RoHS



Need more information on product environmental compliance?

Email productcompliance@molex.com
 For a multiple part number RoHS Certificate of Compliance, [click here](#)

Please visit the [Contact Us](#) section for any non-product compliance questions.

Search Parts in this Series

[3191Series](#)

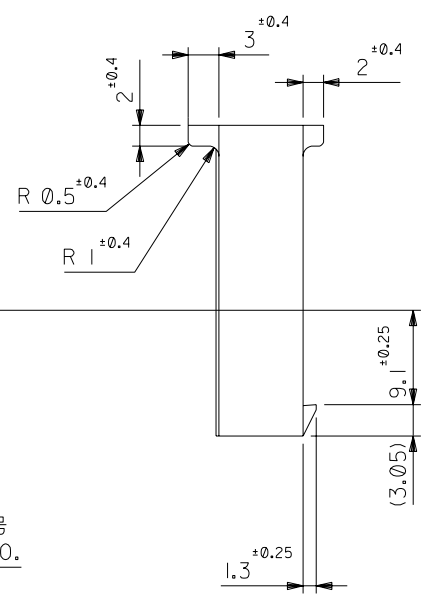
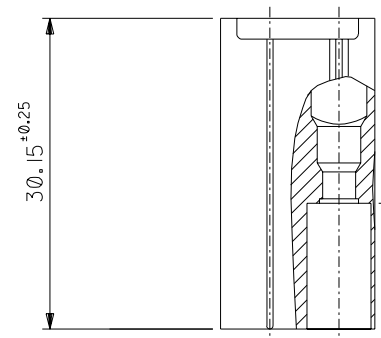
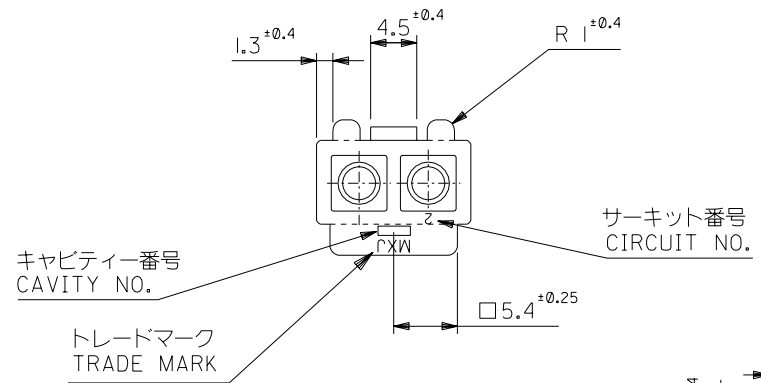
Mates With

[3191](#) Pin and Socket Rectacle, [5219](#) Vertical PCB Header

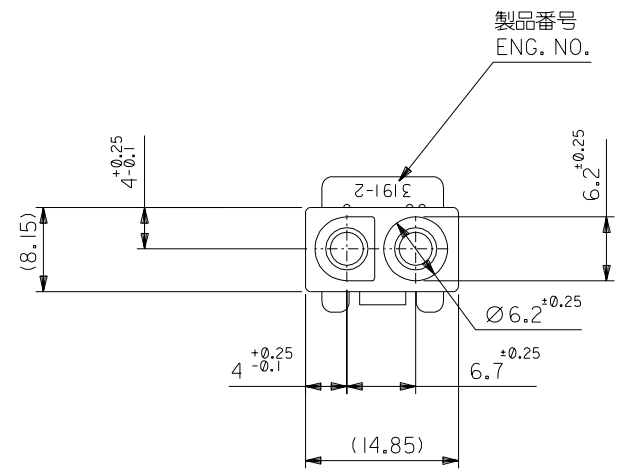
Use With

[1189](#) Crimp Terminals, [1190](#) Crimp Terminals, [1380](#) Male Crimp Terminals, [1381](#) Female Crimp Terminals, [1433](#) Crimp Terminals, [1434](#) Male Crimp Terminals, [2605](#) , [2606](#) , [1973](#) , [2151](#) , [2273](#) , [2870](#) , [2871](#) , [4272](#) , Lin

DWG. NO.
SD-3191-02PI-*



注記
NOTE
() 内寸法は参考値
DIMENSIONS IN () ARE REFERENCE



| | | | | |
|---------|------------|---------------|----------|-------|
| BLUE | 39-01-9023 | 3191-02PI-BU | NYLON66 | 94V-2 |
| NATURAL | 39-03-6023 | 3191-02PI-201 | NYLON66 | 94V-0 |
| NATURAL | 39-03-6022 | 3191-02PI | NYLON66 | 94V-2 |
| COLOR | EDP. NO. | MATERIAL NO. | MATERIAL | UL |

| | | | | | | | | | | |
|-------------------------|--|-------|--------|------------------------|---------------------------|-------------------|---|---|----------------|-----|
| 角度 ANGLE | | ±30 | | | 材料 MATERIAL 表参照 SEE CHART | | molex MOLEX-JAPAN CO.,LTD. 日本モレックス株式会社 | | | |
| 30 以上 OVER | | ±0.3 | | | 仕上げ FINISH | | REVISE ONLY ON CAD SYSTEM | | | |
| 10 以上 OVER 30 未満 UNDER | | ±0.25 | J | 変更 REVISD (J2003-1294) | h.i S.A | 適用電線範囲 WIRE RANGE | | TITLE 名称 | | |
| 10 未満 UNDER | | ±0.2 | H | 再作図 REDRAWN (JC70317) | h.i M.F | 被覆外径 INS. RANGE | | 2 CKT. PLUG HS'G. (.093 DIA. TERMINAL) | | |
| 一般公差 GENERAL TOLERANCES | | | 記号 LTR | 変更内容 REVISION RECORD | DR. CHK. | 日付 DATE | DRAWN BY '96/06/26 H.IIJIMA | CHK'D BY '02/11/07 S.AIHARA | DWG. NO. | REV |
| | | | | | | | APP'D BY '02/11/07 M.SASAO | 尺度 SCALE 2 : 1 | SD-3191-02PI-* | J |