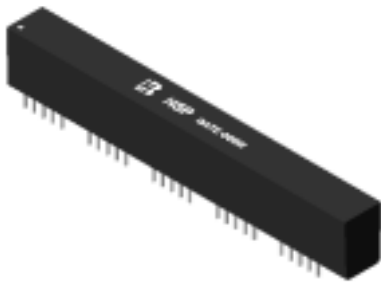




### P/N: H5P DATA SHEET

#### Feature



- Designed for Ethernet 10/100 BASE-T, full Five port applications.
- Supports 16 pairs of category 5 UTP cable.
- Cable interface for isolation and low common mode emissions.
- Compliant with IEEE 802.3ab standard for 10/100 BASE-T.
- Operating temperature range: 0 to +70 .
- Storage temperature range: -25 to +105 .

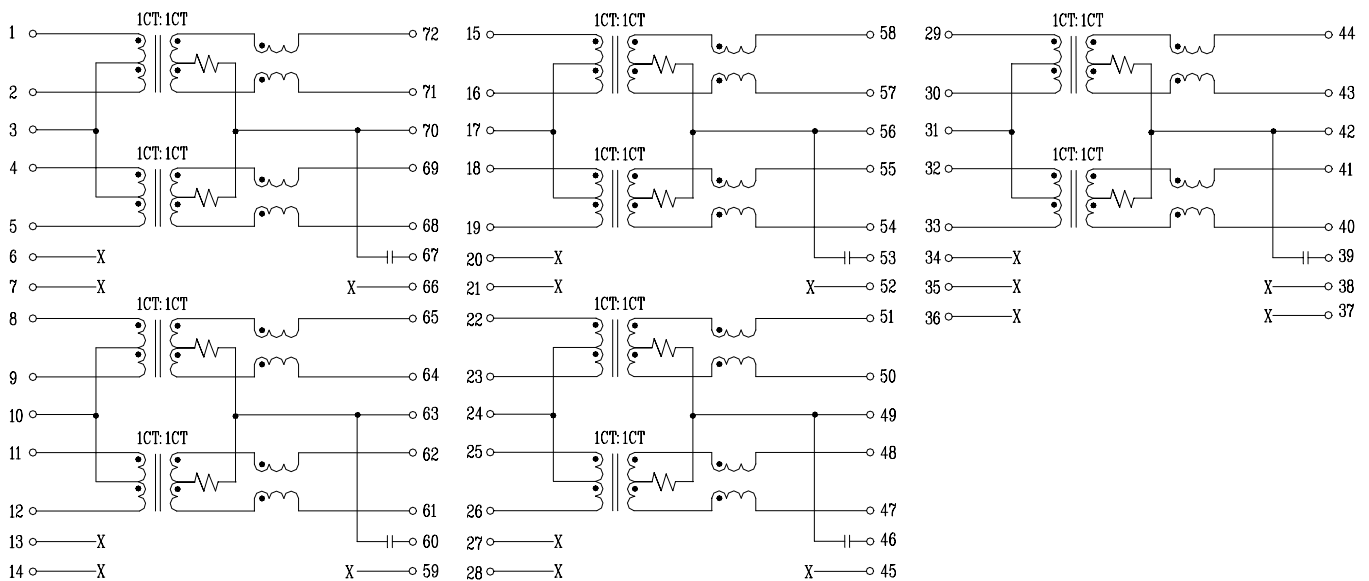
#### Electrical Specifications @ 25°C

Part Number	Turns Ratio (±5%)		Cross talk Attenuation (dB Min)			HI-POT (Vrms)
	TX	RX	30MHz	60MHz	100MHz	
H5P	1CT:1CT	1CT:1CT	-40	-35	-30	1500

#### Continue

Part Number	Insertion Loss (dB Max)	Return Loss (dB Min)@ Load 100					CMR (dB Min)		
		1-100MHz	1-30MHz	40MHz	50MHz	60-80MHz	100MHz	1-30MHz	30-60MHz
H5P	-1.0	-18	-14.4	-13.1	-12	-10	-35	-30	-25

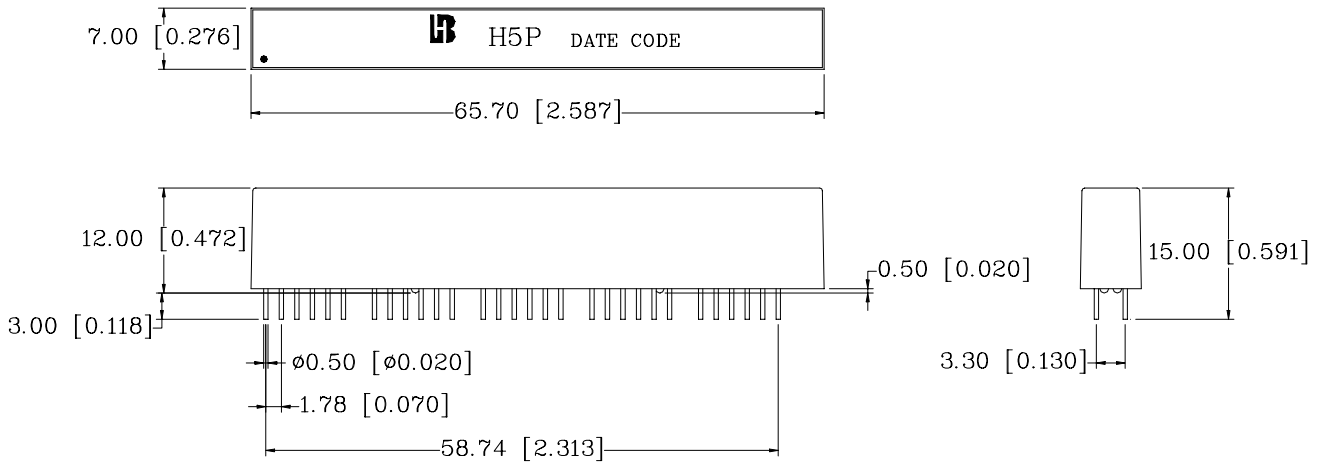
#### Schematic





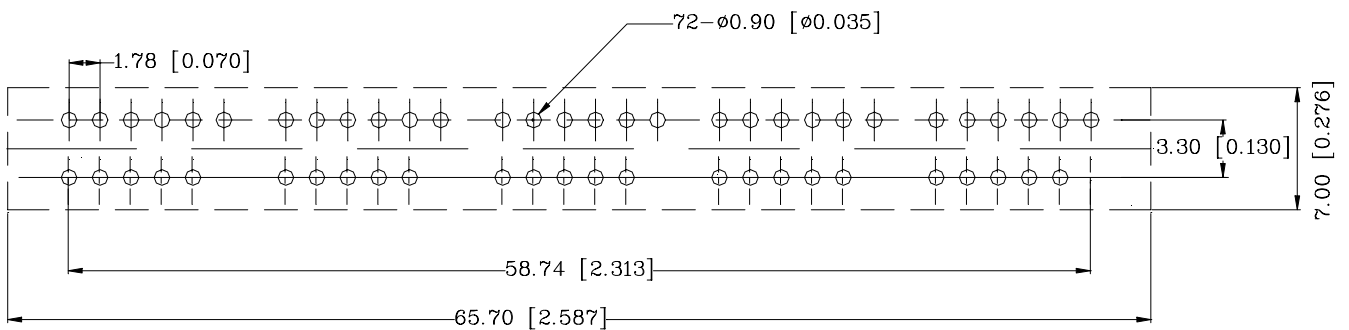
**P/N: H5P DATA SHEET**

**Mechanical**



Units: mm[Inches] Tolerance: xx.x0±0.25[0.010]  
 0.xx±0.05[0.002]

**PCB Layout mounting Hole ( Top View)**



Units: mm[Inches] Tolerances: xx.x0±0.25[0.010]  
 0.xx±0.05[0.002]