

**PLEASE CHECK WWW.MOLEX.COM FOR LATEST PART INFORMATION**

**Part Number:** [0542969331](#)  
**Status:** **Active**  
**Overview:** [minihmc](#)  
**Description:** HMC™ Rectangular Industrial Female Terminal, 54296, 18 AWG, Blue Retainer

**Documents:**

[Drawing \(PDF\)](#) [Product Specification PS-54478-001 \(PDF\)](#)  
[Product Specification PS-54319-001 \(PDF\)](#) [RoHS Certificate of Compliance \(PDF\)](#)

**General**

Product Family	Crimp Terminals
Series	<a href="#">54296</a>
Crimp Quality Equipment	Yes
Overview	<a href="#">minihmc</a>
Product Name	HMC™

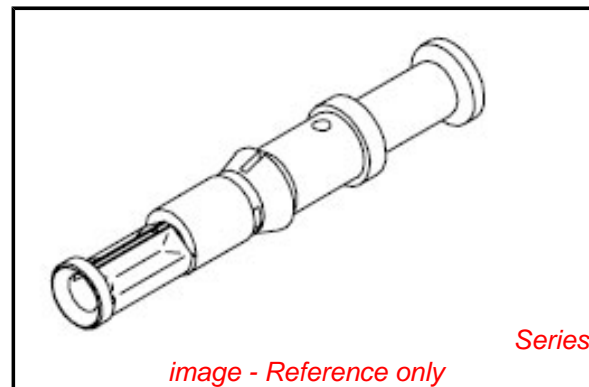
**Physical**

Gender	Female
Material - Metal	Brass
Material - Plating Mating	Silver
Packaging Type	Bag
Wire Insulation Diameter	3.60mm (.142") max.
Wire Size AWG	18
Wire Size mm²	N/A

**Material Info**

**Reference - Drawing Numbers**

Product Specification	PS-54319-001, PS-54478-001
Sales Drawing	SD-54296-9***



*image - Reference only*

**EU RoHS** **China RoHS**

**Compliance Status**

**Not Reviewed**

**REACH SVHC**

**Not Reviewed**

**Halogen-Free**

**Status**

**Not Reviewed**

**Need more information on product environmental compliance?**

Email [productcompliance@molex.com](mailto:productcompliance@molex.com)  
 For a multiple part number RoHS Certificate of Compliance, [click here](#)

Please visit the [Contact Us](#) section for any non-product compliance questions.

**Search Parts in this Series**

[54296Series](#)

**Mates With**

[55124](#)

**Use With**

[54479](#) housing, [54478](#) housing

**Application Tooling | FAQ**

*Tooling specifications and manuals are found by selecting the products below. Crimp Height Specifications are then contained in the Application Tooling Specification document.*

**Global**

**Description** **Product #**

Insertion Tool [0638120600](#)

Extraction Tool [0638131800](#)

Hand Crimp Tool [0638231800](#)

for HMC™ 1.60mm

(.063") Crimp

Terminals

**Japan**

Description	Product #
Hand Extraction Tool	0573886000

This document was generated on 06/01/2010

**PLEASE CHECK [WWW.MOLEX.COM](http://WWW.MOLEX.COM) FOR LATEST PART INFORMATION**

DWG. NO. SD-54296-9\*\*\*

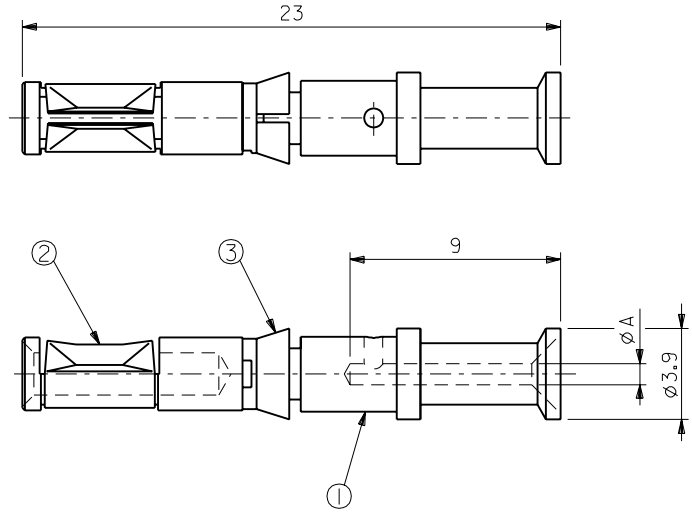
E

D

MM DIMENSIONS IN METRIC DO NOT SCALE DRAWING

A

部番 NO.	部品名 PARTS NAME	個数 QUAN.	材質 MATERIAL
①	Ø1.6ソケットコンタクト Ø1.6 SOCKET CONTACT	1	黄銅、銀メッキ BRASS,Ag PLATING
②	コンタクトスプリング CONTACT SPRING	1	ベリリウム銅、銀メッキ Be-Cu,Ag PLATING
③	リテーナー RETAINER	1	66 ナイロン NYLON 66



- 注) NOTES:
- 嵌合相手: 55124-4\*\*\*  
MATING SOCKET CONTACT: 55124-4\*\*\*
  - 適用圧着工具(手動): 57388-5000  
APPLICABLE CRIMP TOOL (HAND): 57388-5000  
ロケータ: 58487-1000  
LOCATOR: 58487-1000
  - 適用圧着工具(半自動): 57388-1000  
APPLICABLE CRIMP TOOL (SEMI-AUTOMATIC): 57388-1000
  - 適用引き抜き工具: 57388-6100  
APPLICABLE EXTRACTION TOOL: 57388-6100
  - 適用挿入工具: 57388-6200  
APPLICABLE INSERTION TOOL: 57388-6200

8.5±0.4	3.6	2.0 ~ 2.5	#14	2.25	黒 BLACK	54296-9531
		1.25 ~ 1.5	#16	1.75	白 WHITE	54296-9431
		0.75 ~ 1.0	#18	1.45	青 BLUE	54296-9331
		0.5	#20	1.1	緑 GREEN	54296-9231
		0.14 ~ 0.37	#26~22	0.9	赤 RED	54296-9131
皮剥長さ(mm) STRIPPING LENGTH	被覆外径(φmmMAX.) INSULATION DIAMETER	断面積 (mm <sup>2</sup> ) SO (mm <sup>2</sup> )	電線径 (AWG) WIRE SIZE (AWG)	A	リテーナー色 RETAINER COLOR	製品番号 ENG.NO.

適用電線範囲  
APPLICABLE WIRE RANGE

材料 MATERIAL		表参照 SEE TABLE		molex MOLEX-JAPAN CO.,LTD. 日本モレックス株式会社	
仕上げ FINISH		表参照 SEE TABLE		REVISE ONLY ON CAD SYSTEM	
適用電線範囲 WIRE RANGE		表参照 SEE TABLE		TITLE 名称	
被覆外径 INS. RANGE		表参照 SEE TABLE		Ø1.6 SOCKET CONTACT ASS'Y (MACHINED TYPE)	
角度 ANGLE	±3°	変更内容 REVISION RECORD	DR. 日付 CHK. DATE	DRAWN BY CHK'D BY	DWG. NO.
30以上 OVER	+0.3	B *** REVISED (JD90683)	Y.I	98/11/06	SD-54296-9***
10以上 30未満 OVER UNDER	+0.25	A *** REVISED (JD80905)	N.M	97/12/25	
10未満 UNDER	+0.2	0 新規作成 RELEASED (JD80632)	Y.I	97/10/20	
一般公差 GENERAL TOLERANCES	記号 LTR	変更内容 REVISION RECORD	DR. 日付 CHK. DATE	APP'D BY DATE	REV
				尺度 SCALE 5-1	B