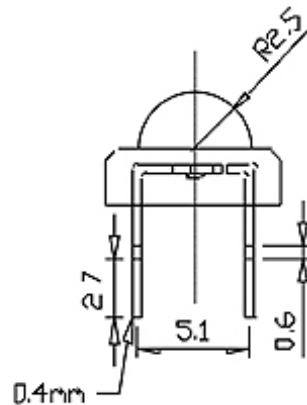
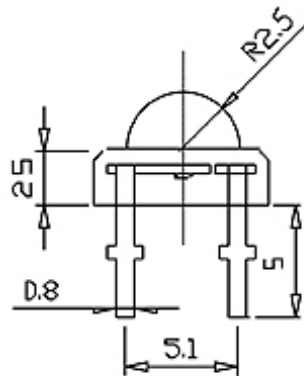
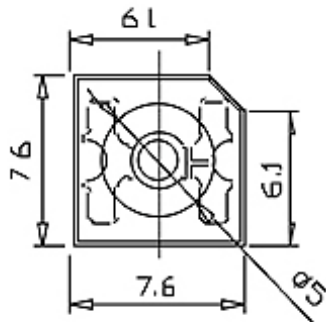


5W4S2HCA

Dimensions



PRODUCT MODEL		EMITTING COLOR			MATERIAL	
5W4S2HCA		WHITE			InGaN	
Electro - Optical Characteristic (T_a = +25°C)						
PARAMETER	SYMBOL	TEST CONDITIONS	MIN	TYP.	MAX	UNIT
Forward Voltage	V _F	I _F = 20 mA	3.00	3.30	3.60	V
Reverse Current	I _R	V _R = 5 V			10	μA
Luminous intensity	I _v	I _F = 80 mA	5000	7000	8000	mcd
Chromaticity Coordinate	X	I _F = 80 mA	0.30	/	0.34	
	y	I _F = 80 mA	0.30	/	0.34	
Viewing Angle	Δθ	I _F = 80 mA		±90		deg
ABSOLUTE MAXIMUM RATING (T_a = +25°C)						
Reverse Voltage (V)	Continuous Forward Current (mA)	Peak forward Current (mA)	Power Dissipation (mW)	Operating Temperature Range (°C)	Storage Temperature Range (°C)	
10	100	500	200	-40~85	-40~100	

ROITHNER LASERTECHNIK

Schoenbrunner Strasse 7, 1040 Vienna, Austria
 Tel.: +43-1-586 52 43 - 0 Fax.: +43-1-586 52 43 44
 office@roithner-laser.com www.roithner-laser.com