

**PLEASE CHECK WWW.MOLEX.COM FOR LATEST PART INFORMATION**

**Part Number:** [0885237319](#)  
**Status:** **Active**  
**Overview:** [fiber optic product families](#)  
**Description:** MT-RJ(F)-to-SC, Multimode, 62.5/125µm, Duplex, 1.60mm (.063"), Standard Fiber Optic Cable Assembly, 20.0m (65.62' )

**Documents:**

[Drawing \(PDF\)](#) [RoHS Certificate of Compliance \(PDF\)](#)

**General**

Product Family	Fiber Optic Assemblies
Series	<a href="#">88523</a>
Connector to Connector	MT-RJ-to-SC
Mode	Multimode
Overview	<a href="#">fiber optic product families</a>
Product Name	MT-RJ, SC

**Physical**

Cable Length	20.0m (65.62' )
Cable Size	1.60mm (.063")
Fiber (Core/Cladding)	62.5/125µm
Single Ended	No
Wire/Cable Type	Duplex

**Material Info**

**Reference - Drawing Numbers**

Sales Drawing	SD-88523-078
---------------	--------------

**EU RoHS**

**ELV and RoHS  
Compliant**  
**REACH SVHC  
Not Reviewed**  
**Halogen-Free  
Status**  
**Not Reviewed**

**China RoHS**



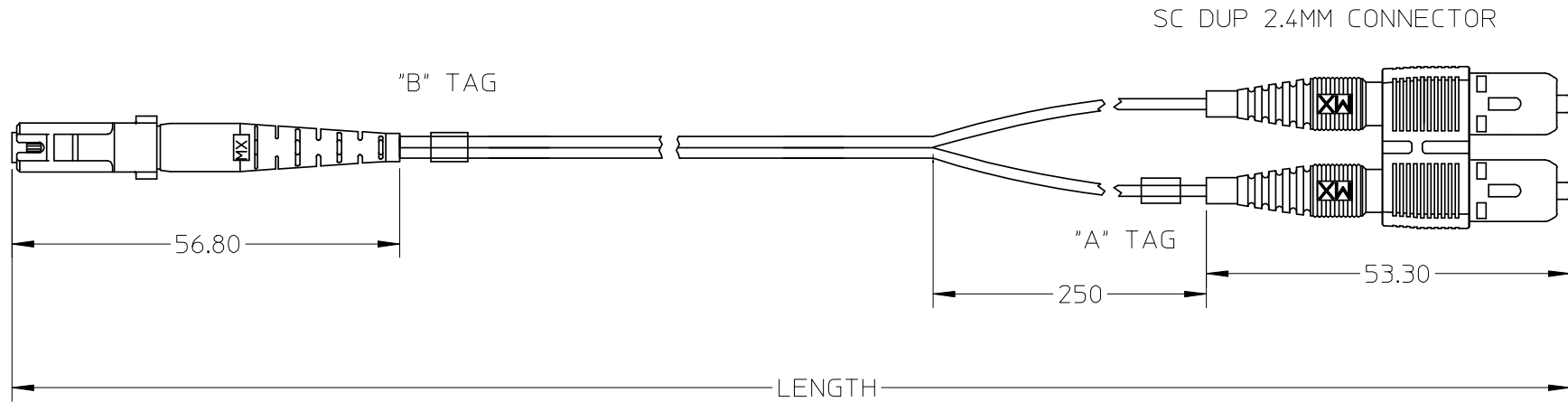
**Need more information on product environmental compliance?**

Email [productcompliance@molex.com](mailto:productcompliance@molex.com)  
 For a multiple part number RoHS Certificate of Compliance, [click here](#)

Please visit the [Contact Us](#) section for any non-product compliance questions.

**Search Parts in this Series**

[88523Series](#)



885237323	MTRJ(F)-SC DUP MM 62.5/125 1.6MM 200M	200000(+1000/-0)
885237322	MTRJ(F)-SC DUP MM 62.5/125 1.6MM 80M	80000(+1000/-0)
885237321	MTRJ(F)-SC DUP MM 62.5/125 1.6MM 60M	60000(+1000/-0)
885237320	MTRJ(F)-SC DUP MM 62.5/125 1.6MM 40M	40000(+500/-0)
885237319	MTRJ(F)-SC DUP MM 62.5/125 1.6MM 20M	20000(+200/-0)
885237306	MTRJ(F)-SC DUP MM 62.5/125 1.6MM 10M	10000(+200/-0)
885237305	MTRJ(F)-SC DUP MM 62.5/125 1.6MM 15M	15000(+200/-0)
885237304	MTRJ(F)-SC DUP MM 62.5/125 1.6MM 5M	5000(+200/-0)
885237303	MTRJ(F)-SC DUP MM 62.5/125 1.6MM 4M	4000(+200/-0)
885237302	MTRJ(F)-SC DUP MM 62.5/125 1.6MM 3M	3000(+200/-0)
885237301	MTRJ(F)-SC DUP MM 62.5/125 1.6MM 2M	2000(+200/-0)
885237300	MTRJ(F)-SC DUP MM 62.5/125 1.6MM 1M	1000(+100/-0)
MX P/N	DESCRIPTION	LENGTH

NOTES:

- DUST CAPS ARE NOT SHOWN
- PER CHANNEL @ 850nm  
MTRJ:  
IL<=0.7dB (IF L<30M)  
IL<=0.7+0.003 X L dB (IF L>=30M)  
SC:  
IL<=0.5dB (IF L<30dB)  
IL<=0.5+0.003 X L dB (IF L>=30M)

ENTER DESCRIPTION EC NO: DG2008-0161 DRWN:XPCHEN CHKD: APPR: JOWANG	2008/07/15 2008/07/15 2008/07/18	DESCRIPTION REV	QUALITY SYMBOLS	GENERAL TOLERANCES (UNLESS SPECIFIED)		DIMENSION STYLE		SCALE	DESIGN UNITS	THIRD ANGLE PROJECTION
			▽=0 ▽=0	mm	INCH	MM ONLY	---	METRIC		
B	REV	DESCRIPTION	4 PLACES	±---	±---	DRAWN BY	DATE	TITLE MTRJ(F)-SC DUP MM 62.5/125 1.6MM		
			3 PLACES	±---	±---	XP	2008/06/23			
			2 PLACES	±---	±---	CHECKED BY	DATE	MOLEX MOLEX INCORPORATED		
			1 PLACE	±---	±---	LISA	2008/06/23			
ANGULAR ±---°			DRAFT WHERE APPLICABLE MUST REMAIN WITHIN DIMENSIONS			APPROVED BY	DATE	DOCUMENT NO.	SHEET NO.	
						JOHNNY	2008/06/23	SD-88523-078	1 OF 1	
						MATERIAL NO.		THIS DRAWING CONTAINS INFORMATION THAT IS PROPRIETARY TO MOLEX INCORPORATED AND SHOULD NOT BE USED WITHOUT WRITTEN PERMISSION		
						SIZE				
						A4				