

PLEASE CHECK WWW.MOLEX.COM FOR LATEST PART INFORMATION

Part Number: [0395273010](#)
Status: **Active**
Description: 5.00mm (.197") Pitch Eurostyle™ Vertical Plug, with Retention Screws, Front Wire Entry, 10 Circuits

Documents:

[Drawing \(PDF\)](#) [RoHS Certificate of Compliance \(PDF\)](#)
[Product Specification PS-39500-001 \(PDF\)](#)

General

Product Family	Terminal Blocks
Series	39527
Application	Wire-to-Board
Comments	Front Wire Entry
Component Type	Plug
Product Literature Order No	USA-355
Product Name	ESE, Eurostyle™ Pluggable
Type	Euro Block

Physical

Circuits (Loaded)	10
Entry Angle	Horizontal
Lock to Mating Part	Yes
Number of Rows	1
Orientation	Vertical
PC Tail Length (in)	0.197 In
PC Tail Length (mm)	5.00 mm
PCB Thickness Recommended (mm)	5.00 mm
Panel Mount	No
Pitch - Mating Interface (in)	0.197 In
Pitch - Mating Interface (mm)	5.00 mm
Polarized to Mating Part	Yes
Stackable	No
Temperature Range - Operating	-40°C to +105°C
Wire Size AWG	12, 14, 16, 18, 20, 22, 24, 26
Wire Size mm²	0.13 - 3.31

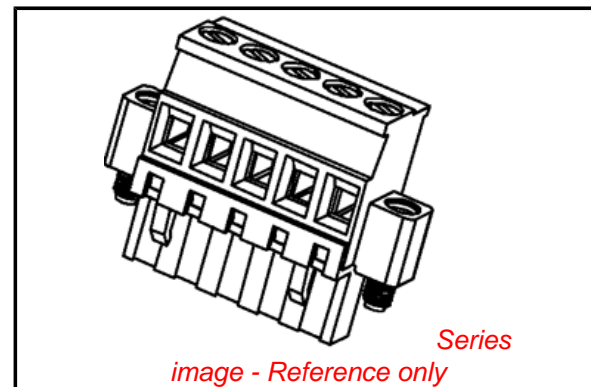
Electrical

Current - Maximum per Contact	10A
Voltage - Maximum	300V

Material Info

Reference - Drawing Numbers

Product Specification	PS-39500-001
Sales Drawing	SD-39527-001



EU RoHS

**ELV and RoHS
Compliant**
REACH SVHC
 Not Reviewed
**Halogen-Free
Status**
 Not Reviewed

China RoHS



**Need more information on product
environmental compliance?**

Email productcompliance@molex.com
 For a multiple part number RoHS Certificate of
 Compliance, [click here](#)

Please visit the [Contact Us](#) section for any
 non-product compliance questions.

Search Parts in this Series

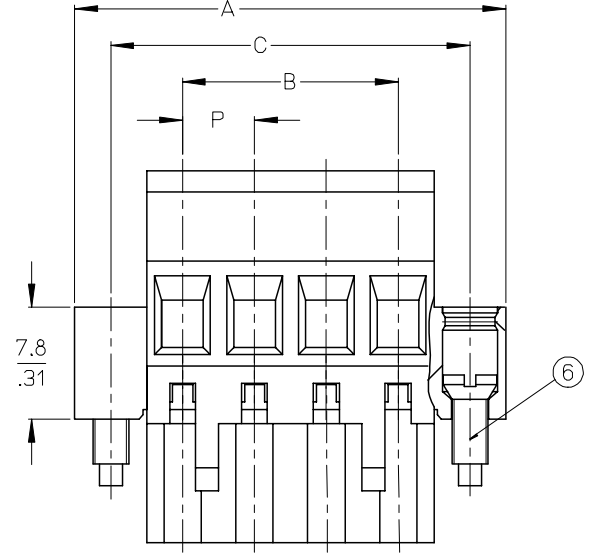
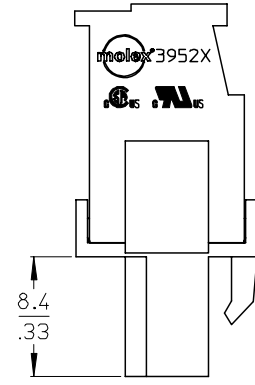
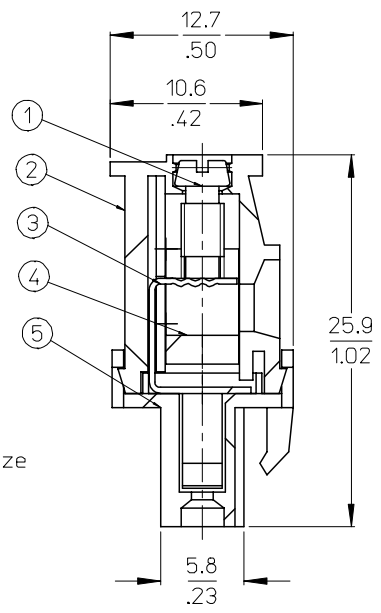
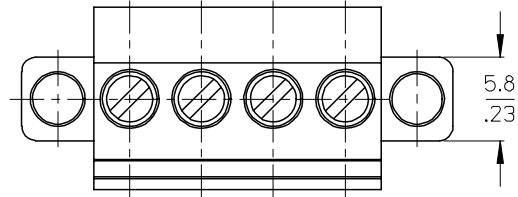
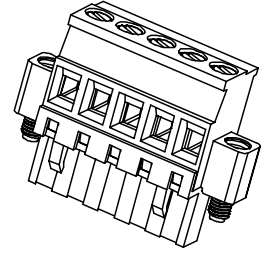
[39527Series](#)

Mates With

Most 5.00mm (.197") Pitch Industry
 Standard PCB Headers, [39525](#) Vertical
 PCB Header with Threaded Retention
 Inserts, [39526](#) Horizontal PCB Header with
 Threaded Retention Inserts

10 9 8 7 6 5 4 3 2 1

F
E
D
C
B
A



SPECIFICATIONS

1. Material:
 - (1). Screw: Steel
 - (2). Body: PA66
 - (3). Terminal: Phosphor Bronze
 - (4). Cage: Brass
 - (5). Cover: PA66
 - (6). Screw: Steel
2. Wire range: 12 - 26AWG
3. Electrical rating: 300V, 10A.
4. Wire strip length: 5.0mm.
5. Operating temperature: -40°C to +105°C.
6. Max torque: 3 in.-lbs.
7. Insulation resistance: DC 500V, 500 Megohms.
8. Dielectric withstand: AC 2500V for 1 minute
9. Breakdown voltage: 4000V
10. Contact resistance: <10 milliohms
11. DIM. A = (N + 2)X P
12. DIM. B = (N - 1)X P
13. DIM. C = (N + 1)X P
14. DIM. P (PITCH) = 5.00mm (.197")
15. N = Number of positions available 2 through 24.
16. ALL COMPONENTS ARE ROHS COMPLIANT.

RELEASE TO PROD EC NO: ETC2006-0308 DRWN: CYORK 2006/03/23 CHKD: DEROSS 2006/03/24 APPR: DEROSS 2006/03/24	QUALITY SYMBOLS ▽=0 ▽=0	GENERAL TOLERANCES (UNLESS SPECIFIED)		DIMENSION STYLE		SCALE	DESIGN UNITS	THIRD ANGLE PROJECTION		
			mm	INCH	MM/IN		3:1	INCH		
		4 PLACES	± ---	±.0015	DRAWN BY	DATE	TITLE			
		3 PLACES	±0.038	±.005	C. YORK	2006/03/16	5.0MM, EURO PLUG, VERTICAL, REAR WIRE ENTRY WITH MOUNTING ENDS			
2 PLACES	±0.13	±.01	CHECKED BY	DATE						
1 PLACE	±0.3	± ---	R. DEROSS	2006/03/16	APPROVED BY		DATE	MOLEX INCORPORATED		
		ANGULAR ± 2 °		R. DEROSS	2006/03/16	MATERIAL NO.		DOCUMENT NO.	SHEET NO.	
DRAFT WHERE APPLICABLE MUST REMAIN WITHIN DIMENSIONS				SEE SHT. 2		SD-39527-001		1 OF 2		
				SIZE	THIS DRAWING CONTAINS INFORMATION THAT IS PROPRIETARY TO MOLEX INCORPORATED AND SHOULD NOT BE USED WITHOUT WRITTEN PERMISSION					

9 8 7 6 5 4 3 2 1

Description	Circuit size	Material Numbers											Dimensional Information						
		Black					Green						Dim A		Dim B		Dim C		
		100% Tin			30 u" Gold		100% Tin			30 u" Gold			mm	inch	mm	inch	mm	inch	
		None	10AV	11AV	None	10AV	11AV	None	10AV	11AV	None	10AV							11AV
5.0mm, Euro Plug, Vertical RWE, Mounting Ends	2	395273002	395273302	395273402	395273502	395273802	395273902	395278002	395278302	395278402	395278502	395278802	395278902	20.0	0.79	5.0	0.20	15.0	0.59
5.0mm, Euro Plug, Vertical RWE, Mounting Ends	3	395273003	395273303	395273403	395273503	395273803	395273903	395278003	395278303	395278403	395278503	395278803	395278903	25.0	0.98	10.0	0.39	20.0	0.79
5.0mm, Euro Plug, Vertical RWE, Mounting Ends	4	395273004	395273304	395273404	395273504	395273804	395273904	395278004	395278304	395278404	395278504	395278804	395278904	30.0	1.18	15.0	0.59	25.0	0.98
5.0mm, Euro Plug, Vertical RWE, Mounting Ends	5	395273005	395273305	395273405	395273505	395273805	395273905	395278005	395278305	395278405	395278505	395278805	395278905	35.0	1.38	20.0	0.79	30.0	1.18
5.0mm, Euro Plug, Vertical RWE, Mounting Ends	6	395273006	395273306	395273406	395273506	395273806	395273906	395278006	395278306	395278406	395278506	395278806	395278906	40.0	1.58	25.0	0.98	35.0	1.38
5.0mm, Euro Plug, Vertical RWE, Mounting Ends	7	395273007	395273307	395273407	395273507	395273807	395273907	395278007	395278307	395278407	395278507	395278807	395278907	45.0	1.77	30.0	1.18	40.0	1.58
5.0mm, Euro Plug, Vertical RWE, Mounting Ends	8	395273008	395273308	395273408	395273508	395273808	395273908	395278008	395278308	395278408	395278508	395278808	395278908	50.0	1.97	35.0	1.38	45.0	1.77
5.0mm, Euro Plug, Vertical RWE, Mounting Ends	9	395273009	395273309	395273409	395273509	395273809	395273909	395278009	395278309	395278409	395278509	395278809	395278909	55.0	2.17	40.0	1.58	50.0	1.97
5.0mm, Euro Plug, Vertical RWE, Mounting Ends	10	395273010	395273310	395273410	395273510	395273810	395273910	395278010	395278310	395278410	395278510	395278810	395278910	60.0	2.36	45.0	1.77	55.0	2.17
5.0mm, Euro Plug, Vertical RWE, Mounting Ends	11	395273011	395273311	395273411	395273511	395273811	395273911	395278011	395278311	395278411	395278511	395278811	395278911	65.0	2.56	50.0	1.97	60.0	2.36
5.0mm, Euro Plug, Vertical RWE, Mounting Ends	12	395273012	395273312	395273412	395273512	395273812	395273912	395278012	395278312	395278412	395278512	395278812	395278912	70.0	2.76	55.0	2.17	65.0	2.56
5.0mm, Euro Plug, Vertical RWE, Mounting Ends	13	395273013	395273313	395273413	395273513	395273813	395273913	395278013	395278313	395278413	395278513	395278813	395278913	75.0	2.95	60.0	2.36	70.0	2.76
5.0mm, Euro Plug, Vertical RWE, Mounting Ends	14	395273014	395273314	395273414	395273514	395273814	395273914	395278014	395278314	395278414	395278514	395278814	395278914	80.0	3.15	65.0	2.56	75.0	2.95
5.0mm, Euro Plug, Vertical RWE, Mounting Ends	15	395273015	395273315	395273415	395273515	395273815	395273915	395278015	395278315	395278415	395278515	395278815	395278915	85.0	3.35	70.0	2.76	80.0	3.15
5.0mm, Euro Plug, Vertical RWE, Mounting Ends	16	395273016	395273316	395273416	395273516	395273816	395273916	395278016	395278316	395278416	395278516	395278816	395278916	90.0	3.54	75.0	2.95	85.0	3.35
5.0mm, Euro Plug, Vertical RWE, Mounting Ends	17	395273017	395273317	395273417	395273517	395273817	395273917	395278017	395278317	395278417	395278517	395278817	395278917	95.0	3.74	80.0	3.15	90.0	3.54
5.0mm, Euro Plug, Vertical RWE, Mounting Ends	18	395273018	395273318	395273418	395273518	395273818	395273918	395278018	395278318	395278418	395278518	395278818	395278918	100.0	3.94	85.0	3.35	95.0	3.74
5.0mm, Euro Plug, Vertical RWE, Mounting Ends	19	395273019	395273319	395273419	395273519	395273819	395273919	395278019	395278319	395278419	395278519	395278819	395278919	105.0	4.13	90.0	3.54	100.0	3.94
5.0mm, Euro Plug, Vertical RWE, Mounting Ends	20	395273020	395273320	395273420	395273520	395273820	395273920	395278020	395278320	395278420	395278520	395278820	395278920	110.0	4.33	95.0	3.74	105.0	4.13
5.0mm, Euro Plug, Vertical RWE, Mounting Ends	21	395273021	395273321	395273421	395273521	395273821	395273921	395278021	395278321	395278421	395278521	395278821	395278921	115.0	4.53	100.0	3.94	110.0	4.33
5.0mm, Euro Plug, Vertical RWE, Mounting Ends	22	395273022	395273322	395273422	395273522	395273822	395273922	395278022	395278322	395278422	395278522	395278822	395278922	120.0	4.72	105.0	4.13	115.0	4.53
5.0mm, Euro Plug, Vertical RWE, Mounting Ends	23	395273023	395273323	395273423	395273523	395273823	395273923	395278023	395278323	395278423	395278523	395278823	395278923	125.0	4.92	110.0	4.33	120.0	4.72
5.0mm, Euro Plug, Vertical RWE, Mounting Ends	24	395273024	395273324	395273424	395273524	395273824	395273924	395278024	395278324	395278424	395278524	395278824	395278924	130.0	5.12	115.0	4.53	125.0	4.92

SEE SHEET 1 EC NO: ETC2006-0308 DRWN: C.YORK 2006/03/12 CHKD: R.DEROSS 2006/03/14 APPR: R.DEROSS 2006/03/14	QUALITY SYMBOLS ▽=0 ▽=0	GENERAL TOLERANCES (UNLESS SPECIFIED)		DIMENSION STYLE MM/IN		SCALE 3:1	DESIGN UNITS INCH	THIRD ANGLE PROJECTION
		4 PLACES ± --- ±.0015	3 PLACES ±0.038 ±.005	DRAWN BY C. YORK	DATE 2006/03/16	TITLE 5.0MM, EURO PLUG, VERTICAL, REAR WIRE ENTRY WITH MOUNTING ENDS		
		2 PLACES ±0.13 ±.01	1 PLACE ±0.3 ± ---	CHECKED BY R. DEROSS	DATE 2006/03/16			
		ANGULAR ± 2 °		APPROVED BY R. DEROSS	DATE 2006/03/16	MOLEX MOLEX INCORPORATED		
DRAFT WHERE APPLICABLE MUST REMAIN WITHIN DIMENSIONS	MATERIAL NO. SEE CHART	DOCUMENT NO. SD-39527-001		SHEET NO. 2 OF 2				
THIS DRAWING CONTAINS INFORMATION THAT IS PROPRIETARY TO MOLEX INCORPORATED AND SHOULD NOT BE USED WITHOUT WRITTEN PERMISSION								