

PLEASE CHECK WWW.MOLEX.COM FOR LATEST PART INFORMATION

Part Number: [0874390401](#)
Status: **Active**
Overview: [picospox](#)
Description: 1.50mm (.059") Pitch Pico-SPOX™ Wire-to-Board Housing, 4 Circuits, Black Housing

Documents:

[3D Model](#) [Product Specification PS-87437 \(PDF\)](#)
[Drawing \(PDF\)](#) [RoHS Certificate of Compliance \(PDF\)](#)

Agency Certification

CSA LR19980
 UL E29179

General

Product Family Crimp Housings
 Series [87439](#)
 Overview [picospox](#)
 Product Name Pico-SPOX™

Physical

Circuits (maximum) 4
 Color - Resin Natural
 Flammability 94V-0
 Gender Female
 Glow-Wire Compliant No
 Lock to Mating Part Yes
 Material - Resin Nylon
 Number of Rows 1
 Packaging Type Bag
 Panel Mount No
 Pitch - Mating Interface (in) 0.059 In
 Pitch - Mating Interface (mm) 1.50 mm
 Polarized to Mating Part Yes
 Stackable No
 Temperature Range - Operating -55°C to +105°C

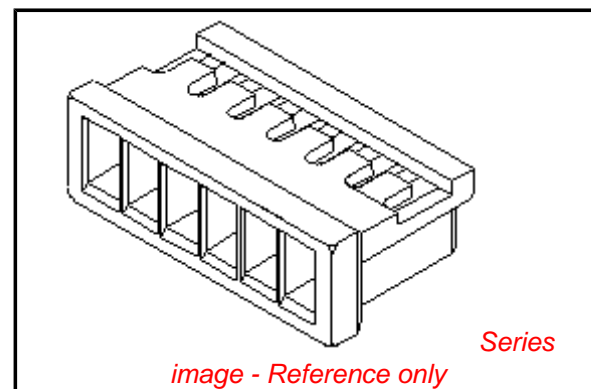
Electrical

Current - Maximum per Contact 1.5A, 2A, 3A

Material Info

Reference - Drawing Numbers

Product Specification PS-87437, RPS-87437
 Sales Drawing SD-87439-001



EU RoHS

**ELV and RoHS
 Compliant**
**REACH SVHC
 Contains SVHC: No**
**Halogen-Free
 Status**

China RoHS



Halogen-Free

**Need more information on product
 environmental compliance?**

Email productcompliance@molex.com
 For a multiple part number RoHS Certificate of
 Compliance, [click here](#)

Please visit the [Contact Us](#) section for any
 non-product compliance questions.

Search Parts in this Series

[87439Series](#)

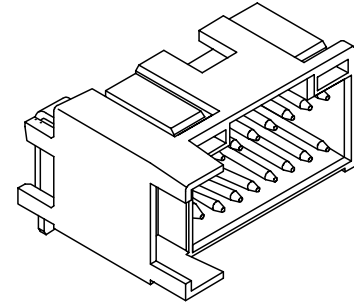
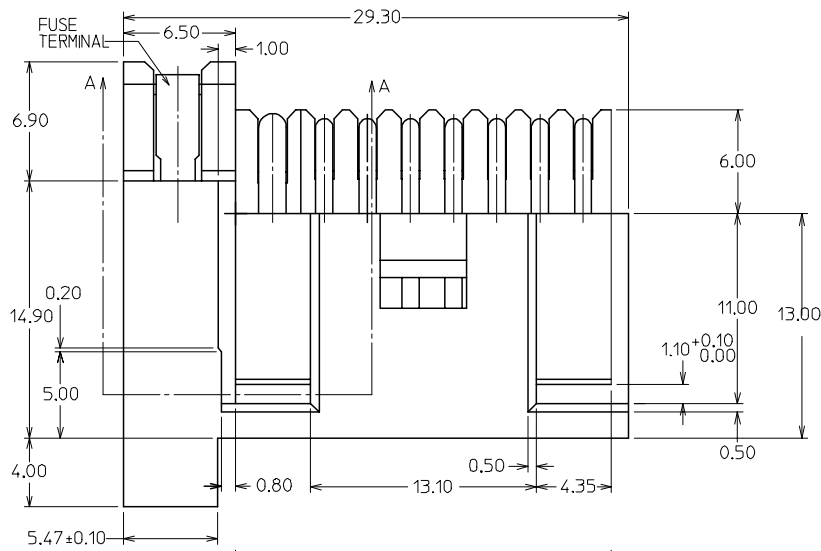
Mates With

Pico-SPOX™ Wire-to-Board Header [87437](#) ,
[87438](#)

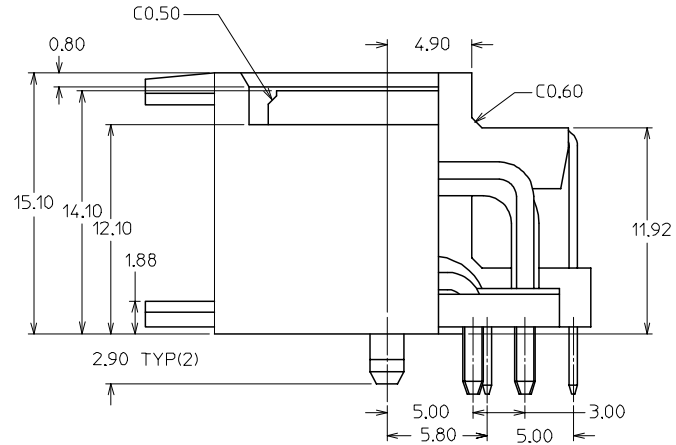
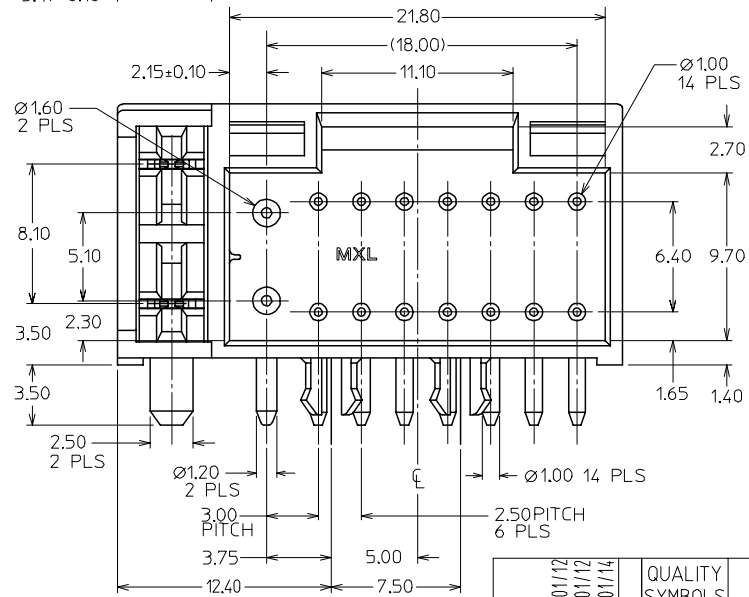
Use With

[87421](#) Pico-SPOX™ Crimp Terminal

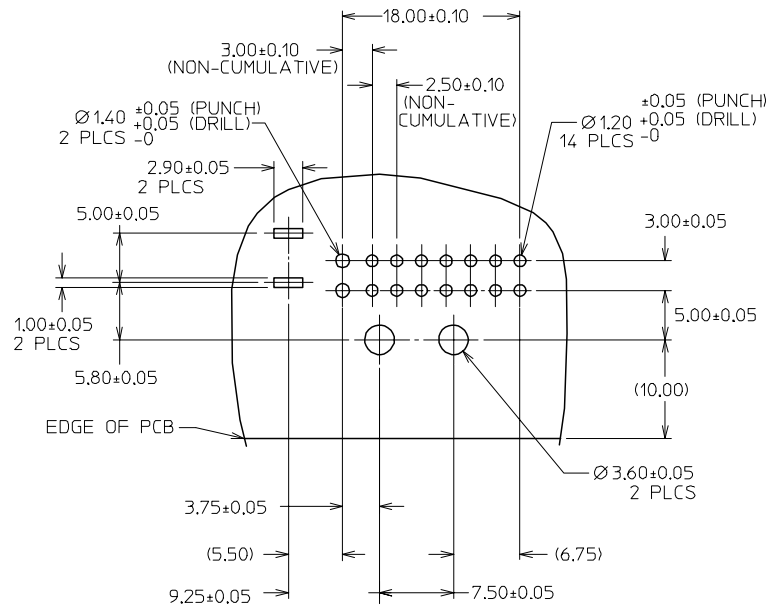
PART NO	LEAD FREE	SIGNAL PIN QTY	POWER PIN QTY	FUSE TERMINAL QTY
87527-1611	NO $\frac{\Delta}{2}$	14	2	2
87527-1612	YES $\frac{\Delta}{2}$	14	2	2



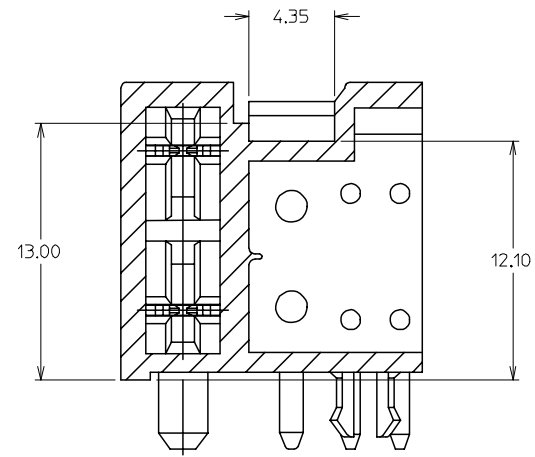
ISOMETRIC VIEW OF CONNECTOR



REVISE NOTE 2. EC NO: S2005-0376 DRAWN: ATSEE 2005/01/12 CHKD: SHONG 2005/01/12 APPR: SKTOH 2005/01/14	QUALITY SYMBOLS $\nabla = 0$ $\sphericalangle = 0$	GENERAL TOLERANCES (UNLESS SPECIFIED)		DIMENSION STYLE		SCALE	DESIGN UNITS	THIRD ANGLE PROJECTION			
				MM ONLY		NTS	METRIC				
				mm	INCH	DRAWN BY		DATE	TITLE		
						GMS IMMEL		1997/02/13	SALES DRAWING		
B1 REV DESCRIPTION		DRAFT WHERE APPLICABLE MUST REMAIN WITHIN DIMENSIONS		SEE TABLE		DOCUMENT NO.		SHEET NO.			
				SIZE A3		SD-87527-007		1 OF 2			
				MATERIAL NO.		DATE		MOLEX INCORPORATED			
				PTHO		1997/05/09		THIS DRAWING CONTAINS INFORMATION THAT IS PROPRIETARY TO MOLEX INCORPORATED AND SHOULD NOT BE USED WITHOUT WRITTEN PERMISSION			



PCB LAYOUT : COMPONENT SIDE
RECOMMENDED PCB THICKNESS = 1.20-1.60



SECTION A-A

NOTES:-

- MATERIALS:
HOUSING: - NYLON, UL94-V2
COLOR: BLACK
SIGNAL PINS - BRASS, 1.00 DIA.
POWER PINS - BRASS, 1.60/ 1.20 DIA.
FUSE TERMINALS - BRASS, 0.5mm THK.



- FINISH:
(A) TIN/ LEAD OVER NICKEL UNDERPLATE OVERALL.
OR
(B) TIN OVER NICKEL UNDERPLATE OVERALL.

- PRODUCT SPECIFICATION: PS-87527-0001.

REVISE NOTE 2. EC NO: S2005-0376 DRAWN: ATSEE 2005/01/12 CHKD: SHONG 2005/01/12 APPR: SKTOH 2005/01/14	QUALITY SYMBOLS ▽=0 ▽=0	GENERAL TOLERANCES (UNLESS SPECIFIED)		DIMENSION STYLE MM ONLY		SCALE NTS	DESIGN UNITS METRIC	THIRD ANGLE PROJECTION		
			mm	INCH	DRAWN BY GMS IMMEL	DATE 1997/02/13	TITLE SALES DRAWING 2.5/3.0 W-T-B HEADER WITH SINGLE FUSE SOCKET MOLEX INCORPORATED			
		4 PLACES	± ---	± ---	CHECKED BY SKTOH	DATE 1997/05/08				
		3 PLACES	± ---	± ---	APPROVED BY PTHO		DATE 1997/05/09	DOCUMENT NO. SD-87527-007		SHEET NO. 2 OF 2
2 PLACES	± 0.2	± ---	DRAFT WHERE APPLICABLE MUST REMAIN WITHIN DIMENSIONS		SIZE A3	THIS DRAWING CONTAINS INFORMATION THAT IS PROPRIETARY TO MOLEX INCORPORATED AND SHOULD NOT BE USED WITHOUT WRITTEN PERMISSION				
1 PLACE	± ---	± ---								
		ANGULAR ± 3 °								