

PLEASE CHECK WWW.MOLEX.COM FOR LATEST PART INFORMATION

Part Number: [0943285001](#)
Status: **Active**
Description: SMT, Micro Spring Contact for Board to Board Connection

Documents:

[Drawing \(PDF\)](#) [RoHS Certificate of Compliance \(PDF\)](#)
[Product Specification PS-94328-001 \(PDF\)](#)

General

Product Family	Accessories
Series	94328
Component Type	Clip
Product Name	N/A

Physical

Circuits (Loaded)	1
Packaging Type	Reel

Solder Process Data

Duration at Max. Process Temperature (seconds)	15
Lead-free Process Capability	Reflow Capable (SMT only)
Max. Cycles at Max. Process Temperature	4
Process Temperature max. C	265

Material Info

Reference - Drawing Numbers

Product Specification	PS-94328-001, RPS-94328-001
Sales Drawing	SD-94328-001

EU RoHS

**ELV and RoHS
Compliant**
**REACH SVHC
Contains SVHC: No**
**Halogen-Free
Status**

China RoHS



Not Reviewed

**Need more information on product
environmental compliance?**

Email productcompliance@molex.com
 For a multiple part number RoHS Certificate of
 Compliance, [click here](#)

Please visit the [Contact Us](#) section for any
 non-product compliance questions.

Search Parts in this Series
[94328Series](#)

7

6

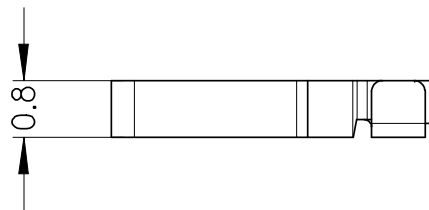
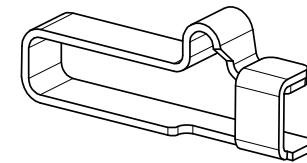
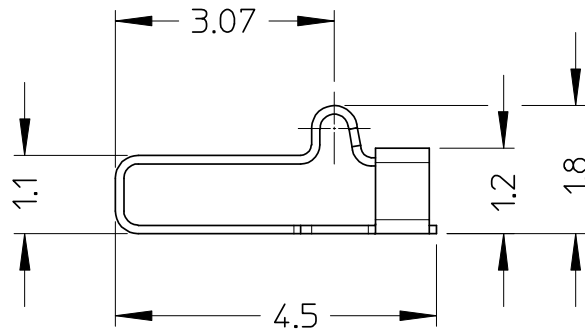
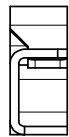
5

4

3

2

1



NOTES:

- 1. MATERIAL: BERYLLIUM COPPER 0.127 mm THICK.
0.07 μm MIN. Au OVER 1.27 μm MIN. Ni
- 2. CONTACT NORMAL FORCES @0.4 mm DEFLECTION 0.30 N ±0.15 N
- 3. PACKAGING: T&R 8000 PCS/REEL,
8 REEL/BOX (SPQ=64000 PCS)

Std.Descr.: "MICRO SPRING CONTACT"

ENTER DESCRIPTION EC NO: Z2008-0143 DRWN:FGOTTARD 2008/03/17 CHKD:LSANTESSO 2008/03/17 APPR:GZUIN 2008/03/18	QUALITY SYMBOLS =0 =0	GENERAL TOLERANCES (UNLESS SPECIFIED)		DIMENSION STYLE MM ONLY	SCALE 10:1	DESIGN UNITS METRIC	FIRST ANGLE PROJECTION																
			<table border="1"> <tr> <th></th> <th>mm</th> <th>INCH</th> </tr> <tr> <td>4 PLACES</td> <td>± ---</td> <td>± ---</td> </tr> <tr> <td>3 PLACES</td> <td>± ---</td> <td>± ---</td> </tr> <tr> <td>2 PLACES</td> <td>± 0.10</td> <td>± ---</td> </tr> <tr> <td>1 PLACE</td> <td>± 0.15</td> <td>± ---</td> </tr> </table>		mm	INCH	4 PLACES	± ---	± ---	3 PLACES	± ---	± ---	2 PLACES	± 0.10	± ---	1 PLACE	± 0.15	± ---	DRAWN BY DATE FGOTTARDO 2008/14/03	TITLE MICRO SPRING CONTACT			
			mm	INCH																			
		4 PLACES	± ---	± ---																			
3 PLACES	± ---	± ---																					
2 PLACES	± 0.10	± ---																					
1 PLACE	± 0.15	± ---																					
DRAFT WHERE APPLICABLE MUST REMAIN WITHIN DIMENSIONS		CHECKED BY DATE RSANDANO 2008/14/03	MOLEX INCORPORATED																				
REV A	DESCRIPTION	ANGULAR ± ---°		APPROVED BY DATE GZUIN 2008/14/03	MATERIAL NO. 94328-5001	DOCUMENT NO. SD-94328-001	SHEET NO. 1 OF 1																

6

5

4

3

2

1