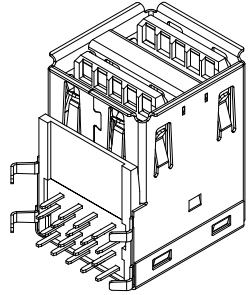
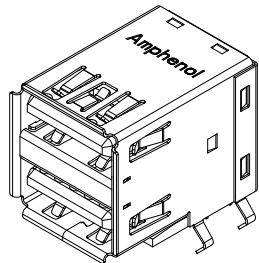
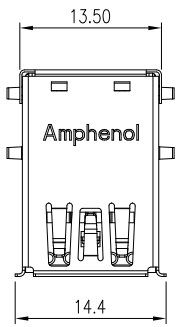


This document is the property of Amphenol Corporation and is delivered on the express condition that is not to be disclosed, reproduced or used, in whole or in part, for manufacture or sale by anyone other than Amphenol Corporation without its prior consent, and that no right is granted to disclose or to use any information in this document.

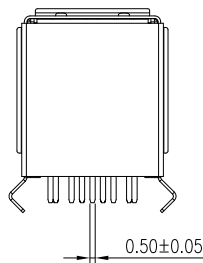
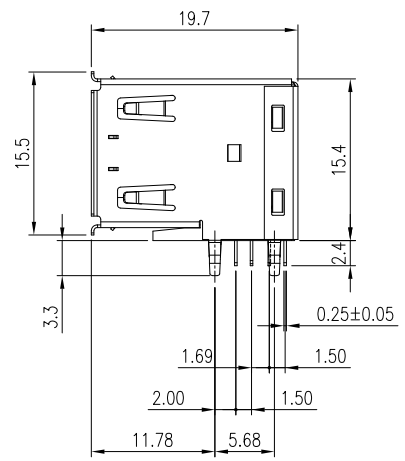
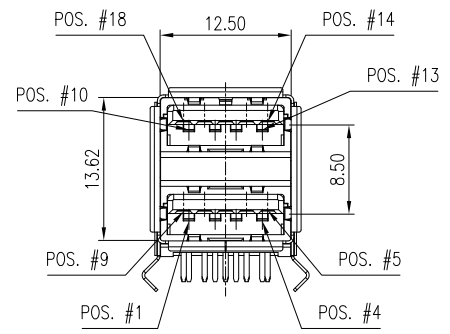
The marking on this product doesn't contain environmental hazardous material and must follow one or more specifications per Material Specification SS-00259 for Sony GP compliant or per directive 2002/95/EC for RoHS compliant or per IEC 61249-2-21 for Halogen Free compliant.

**PRELIMINARY RELEASE  
SUBJECT TO CHANGE**

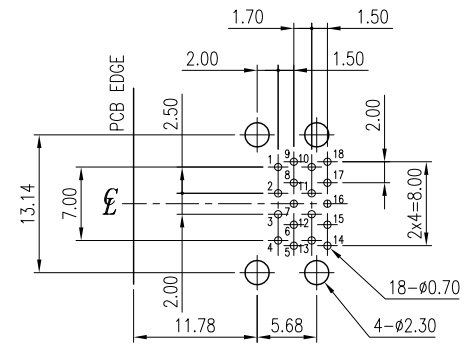
REVISIONS				
SYM	ECN No.	DESCRIPTION	DATE	BY
AX1		UNAPPROVED REVISION	05/20/2009	Sondra Sang
AX2		ADDING LOGO	06/02/2009	Sondra Sang
AX3		MODIFIED TOOLING	01/08/2010	Sondra Sang
AX4		MODIFIED TOOLING	03/04/2010	Sondra Sang



PIN #	PIN #	SIGNAL NAME
1	10	VBUS
2	11	D-
3	12	D+
4	13	GND
5	14	SSTX-
6	15	SSTX+
7	16	GND-DRAIN
8	17	SSRX-
9	18	SSRX+
SHELL		SHIELD



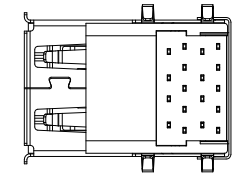
**PIN ASSIGNMENT**



**RECOMMENDED PCB LAYOUT- TOP VIEW  
(GENERAL TOLERANCE: ±0.05)**

**NOTES:**

- HOUSING: HIGH TEMPERATURE THERMOPLASTIC, UL 94V-0, COLOR- BLUE (PANTONE 300C)
- BOTTOM COVER: HIGH TEMPERATURE THERMOPLASTIC, UL 94V-0, COLOR- BLUE (PANTONE 300C)
- CONTACT: PHOSPHOR BRONZE, 0.25mm THICKNESS, 30µ" MIN. GOLD PLATED ON CONTACT AREA, 120µ" MIN. MATTE TIN PLATED ON SOLDERING TAIL, 80µ" MIN. NICKEL UNDER-PLATED OVERALL
- METAL SHELL: STAINLESS STEEL, 0.25mm THICKNESS, 120µ" MIN. MATTE TIN PLATED ON SOLDERING TAIL
- THIS PRODUCT DOESN'T CONTAIN ENVIRONMENTAL HAZARDOUS MATERIALS PER DIRECTIVE 2002/95/EC FOR RoHS AND PER IEC 61249-2-21 FOR HALOGEN FREE COMPLIANT.



TOLERANCE	APPROVALS	DATE	TITLE	UNIT	SIZE	PART No.
X. ±0.30	<b>DRAWN</b> Sondra Sang	03/04/2010	USB 3.0 CONNECTOR STANDARD A, STACKED, R/A DIP TYPE	mm	A3	GSB3 112 31 HR
X.X ±0.20	<b>CHECKED</b> Chenny Yeh	03/04/2010				
X.XXX ±0.10	<b>APPROVED</b> Hank Hsu	03/04/2010				
ANGULAR ±1°	<b>DWG TYPE</b> CUST DWG	<b>PROJECT CODE</b> OTHER		SCALE NA	SHEET 1 OF 1	DWG No. GSB311231HR
UNLESS OTHERWISE SPECIFIED						REV. AX4

**Amphenol**®

Amphenol Corporation  
Amphenol Taiwan Corporation