

PLEASE CHECK WWW.MOLEX.COM FOR LATEST PART INFORMATION

Part Number: [0674921932](#)
Status: **Active**
Overview: serial ata 127 host receptacles
Description: 1.27mm (.050") Pitch Serial ATA Host Receptacle, Right Angle, SMT, Mating Height 3.55mm (.140"), 0.38µm (15µ") Gold (Au) Plating, with Cap, Embossed Tape on Reel Packaging, 22 Circuits, Lead Free

Documents:

[3D Model](#)
[Drawing \(PDF\)](#)

[RoHS Certificate of Compliance \(PDF\)](#)

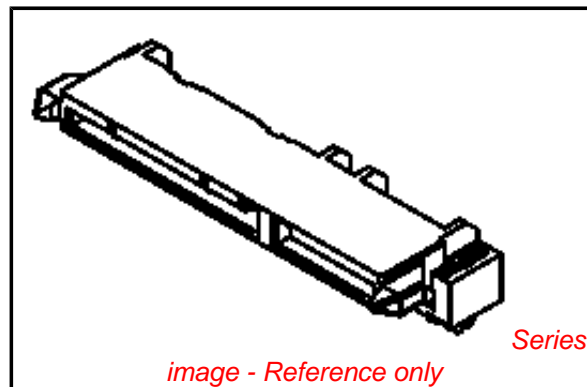
General

Product Family	PCB Receptacles
Series	67492
Application	Board-to-Board
Comments	With Cap
Overview	serial ata 127 host receptacles
Product Name	Serial ATA

Physical

Circuits (Loaded)	22
Circuits (maximum)	22
Color - Resin	Black
Durability (mating cycles max)	500
Glow-Wire Compliant	No
Guide to Mating Part	Yes
Keying to Mating Part	Yes
Lock to Mating Part	None
Mated Height (mm)	3.55 mm
Material - Metal	Copper Alloy
Material - Plating Mating	Gold
Material - Plating Termination	Tin
Material - Resin	High Temperature Thermoplastic
Number of Rows	1
Orientation	Right Angle
PCB Locator	Yes
PCB Retention	Yes
PCB Thickness Recommended (in)	0.045 In
PCB Thickness Recommended (mm)	1.20 mm
Packaging Type	Embossed Tape on Reel
Pitch - Mating Interface (in)	0.050 In
Pitch - Mating Interface (mm)	1.27 mm
Pitch - Term. Interface (in)	0.050 In
Pitch - Term. Interface (mm)	1.27 mm
Plating min: Mating (µin)	15
Plating min: Mating (µm)	0.38
Plating min: Termination (µin)	50
Plating min: Termination (µm)	1.27
Polarized to Mating Part	Yes
Polarized to PCB	Yes
Robotic Placement	Pick and Place Cap
Stackable	No
Temperature Range - Operating	-35°C to +85°C
Termination Interface: Style	Surface Mount

Electrical



EU RoHS

ELV and RoHS Compliant
REACH SVHC
 Not Reviewed
Halogen-Free Status

China RoHS



Not Reviewed

Need more information on product environmental compliance?

Email productcompliance@molex.com
 For a multiple part number RoHS Certificate of Compliance, [click here](#)

Please visit the [Contact Us](#) section for any non-product compliance questions.

Search Parts in this Series

[67492Series](#)

Mates With

[87703](#) , [87672](#) Serial ATA Plugs

Current - Maximum per Contact	1.5A
Voltage - Maximum	15V DC

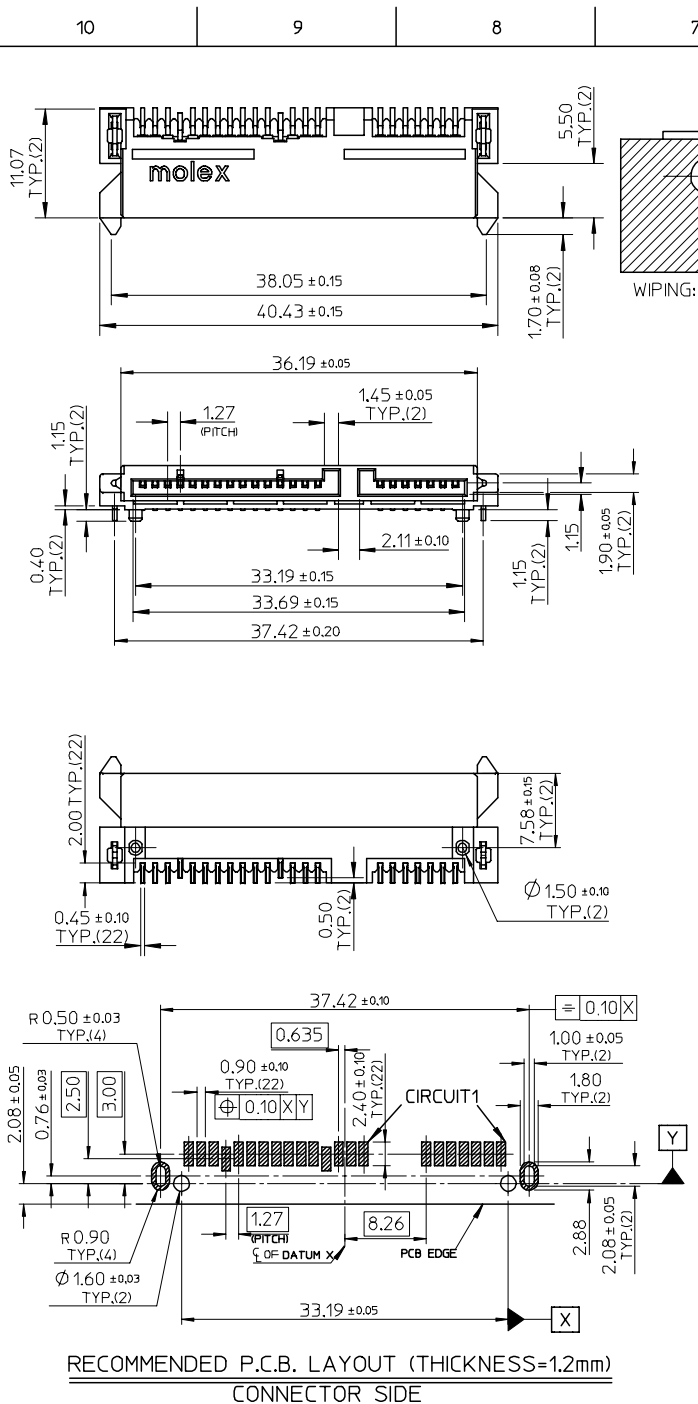
Material Info

Reference - Drawing Numbers

Packaging Specification	PK-67492-006
Sales Drawing	SD-67492-010

This document was generated on 05/31/2010

PLEASE CHECK WWW.MOLEX.COM FOR LATEST PART INFORMATION



- NOTES:
- MATERIAL:
 - HOUSING: HIGH TEMPERATURE THERMAL PLASTIC, UL94V-0, COLOR: BLACK.
 - TERMINAL: COPPER ALLOY;
 - FORKLOCK: COPPER ALLOY.
 - TERMINAL PLATING :
 - CONTACT AREA:
 - (A) GOLD FLASH;
 - (B) GOLD, THICKNESS=0.76 MICRONS MINIMUM;
 - (C) GOLD, THICKNESS=0.38 MICRONS MINIMUM;
 - SOLDER AREA: TIN, THICKNESS=1.27 MICRONS MINIMUM;
 - UNDER PLATE: NICKEL, THICKNESS=1.27 MICRONS MINIMUM.
 - FORKLOCK PLATING:
 - SOLDER AREA: TIN, THICKNESS=1.27 MICRONS MINIMUM;
 - UNDER PLATE: NICKEL, THICKNESS=1.27 MICRONS MINIMUM.
 - PRODUCT SPECIFICATION: REFER TO PS-67492-001.
 - PACKAGING METHOD: TAPE REEL, DETAIL REFER TO PK-67492-006.
 - MATING PARTS: 87703/87672.

P/N	PLATING	REMARK
67492-1930	NOTES 2 (A)	WITH CAP
67492-1931	NOTES 2 (B)	
67492-1932	NOTES 2 (C)	WITHOUT CAP
67492-1920	NOTES 2 (A)	
67492-1921	NOTES 2 (B)	
67492-1922	NOTES 2 (C)	

REVISED EC NO: SH2007-0456 DRW: HZH006 CHK: J.TAN APPR: J.NICHEN 2007/03/06 2007/03/07 2007/03/15	QUALITY SYMBOLS ▽=0 ▽=0	GENERAL TOLERANCES (UNLESS SPECIFIED) mm INCH 4 PLACES ± --- ± --- 3 PLACES ± --- ± --- 2 PLACES ± 0.15 ± --- 1 PLACE ± 0.25 ± --- ANGULAR ± 3 °	DIMENSION STYLE MM ONLY DRAWN BY: DIXON LI CHECKED BY: JENNY ZENG APPROVED BY: GRATE MA DATE: 2006/02/08 DATE: 2006/02/08 DATE: 2006/02/08	SCALE: 2:1 DESIGN UNITS: METRIC THIRD ANGLE PROJECTION	TITLE: SATA HOST RECEPTACLE R/A SMT TYPE -LEAD FREE- MOLEX INCORPORATED	MATERIAL NO. DOCUMENT NO. SD-67492-010 SHEET NO. 1 OF 1
	DRAFT WHERE APPLICABLE MUST REMAIN WITHIN DIMENSIONS	SIZE: A3 THIS DRAWING CONTAINS INFORMATION THAT IS PROPRIETARY TO MOLEX INCORPORATED AND SHOULD NOT BE USED WITHOUT WRITTEN PERMISSION				
	REV A1	DESCRIPTION: CIRCUIT1				
	RECOMMENDED P.C.B. LAYOUT (THICKNESS=1.2mm) CONNECTOR SIDE					