

PLEASE CHECK WWW.MOLEX.COM FOR LATEST PART INFORMATION

Part Number: [0019092027](#)
Status: **Active**
Overview: [standard_093](#)
Description: 2.36mm (.093") Diameter Standard .093" Pin and Socket Plug Housing With Positive Latch, UL 94V-0, Panel Mount, 2 Circuits

Documents:

[3D Model](#) [Packaging Specification \(PDF\)](#)
[Drawing \(PDF\)](#) [RoHS Certificate of Compliance \(PDF\)](#)

Agency Certification

CSA LR19980
TUV R72081037
UL E29179

General

Product Family Crimp Housings
Series [3191](#)
Comments Polarized to Mating Part, With Mounting Ears
Overview [standard_093](#)
Product Name Standard .093"

Physical

Breakaway No
Circuits (maximum) 2
Color - Resin Natural
Flammability 94V-0
Gender Dual
Glow-Wire Compliant No
Keying to Mating Part None
Lock to Mating Part Yes
Material - Resin Nylon
Number of Rows 1
Packaging Type Bag
Panel Mount Yes
Pitch - Mating Interface (in) 0.264 In
Pitch - Mating Interface (mm) 6.71 mm
Polarized to Mating Part Yes
Stackable No
Temperature Range - Operating -40°C to +105°C

Electrical

Current - Maximum per Contact 12A

Material Info

Old Part Number 3191-2P-201

Reference - Drawing Numbers

Sales Drawing SD-3191-2*

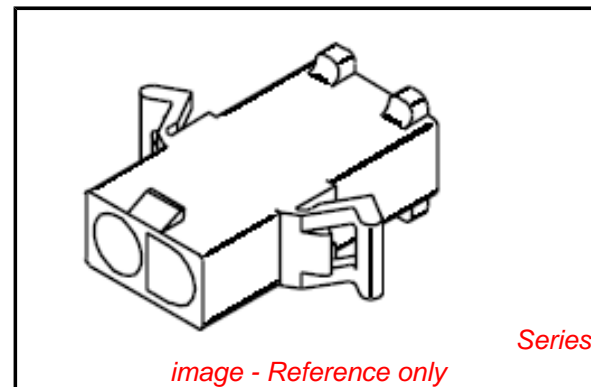


image - Reference only

EU RoHS

**ELV and RoHS
Compliant**
**REACH SVHC
Not Reviewed**
**Halogen-Free
Status
Not Reviewed**

China RoHS



**Need more information on product
environmental compliance?**

Email productcompliance@molex.com
For a multiple part number RoHS Certificate of Compliance, [click here](#)

Please visit the [Contact Us](#) section for any non-product compliance questions.

Search Parts in this Series

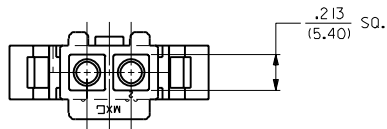
[3191Series](#)

Mates With

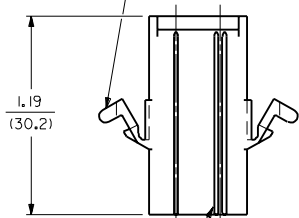
[3191](#) Pin and Socket Rectacle, [5219](#) Vertical PCB Header

Use With

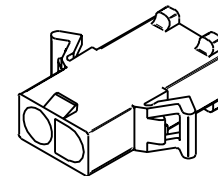
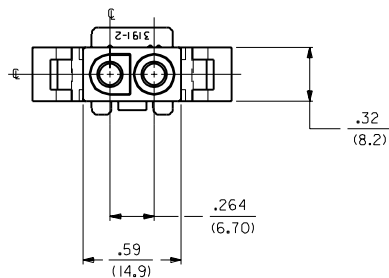
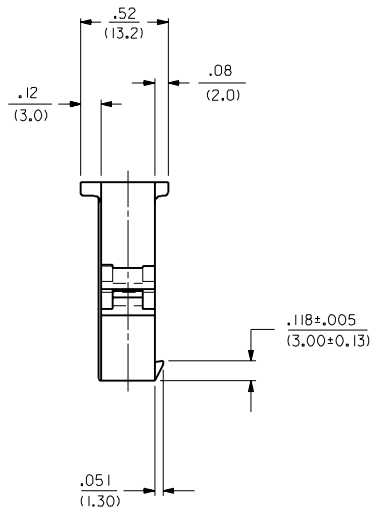
[1189](#) Crimp Terminals, [1190](#) Crimp Terminals, [1380](#) Male Crimp Terminals, [1381](#) Female Crimp Terminals, [1433](#) Crimp Terminals, [1434](#) Male Crimp Terminals, [2605](#) , [2606](#) , [1973](#) , [2151](#) , [2273](#) , [2870](#) , [2871](#) , [4272](#) , Lin



PREBENT MOUNTING EAR
(WHEN SPECIFIED)



CIRCUIT NUMBER
IDENTIFICATION RIBS



PLUG

3	E2	
2	D	
1	E4	
<input checked="" type="checkbox"/>	SH.	REV. LTR. REVISIONS

DIMENSIONS SHOWN METRIC (INCH)		▽ = 0	▼ = 0	REVISE ONLY ON CAD SYSTEM	
UNLESS OTHERWISE SPECIFIED TOLERANCES: ANGULAR ± .001 TO		TITLE .093/(2.36) HOUSING, PLUG AND RECEPTACLE, 2 CKT ± .264/(6.70) CTRS.			
INCH METRIC		PART NO.		DRAWING NO.	
3 PLACE ± .010	---	L15LEJLL.		60532	
2 PLACE ± .014	± 0.25	MOLEX INCORPORATED		SHEET NO. DATE	
1 PLACE ---	± 0.35	U.S.A.		1 of 3 11/21/88	
DRAFT WHERE APPLICABLE MUST REMAIN WITHIN DIMENSIONS		SEE CHART		SD-3191-2*	
DRWG. BY: CEP	CHKD. BY: RW	FILE NAME:	S31912X1		
APP'D. BY: RAS	SCALE: 2 : 1	DRWN. BY:	DIV. SIZE		
THIS DRAWING CONTAINS INFORMATION THAT IS PROPRIETARY TO MOLEX INC. AND SHOULD NOT BE USED WITHOUT WRITTEN PERMISSION.		NO P.S. 1			

13 12 11 10 9 8 7 6 3191 4 3 2 1

PLUG		RECEPTACLE	
PART NO.	ENG. NO.	PART NO.	ENG. NO.
19-09-2028	3191-2P	19-09-1029	3191-2R1
19-09-2029	3191-2P1	19-09-1026	3191-2R1-201
19-09-2027	3191-2P-201	19-09-1020	3191-2R IRD
19-09-2026	3191-2P1-201	19-09-1021	3191-2R IBU
19-09-2020	3191-2P IRD		
19-09-2021	3191-2P IBU		

LEGEND:
 3191-2****-*

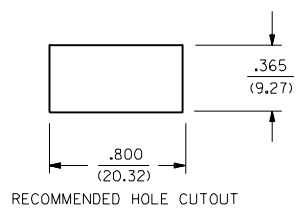
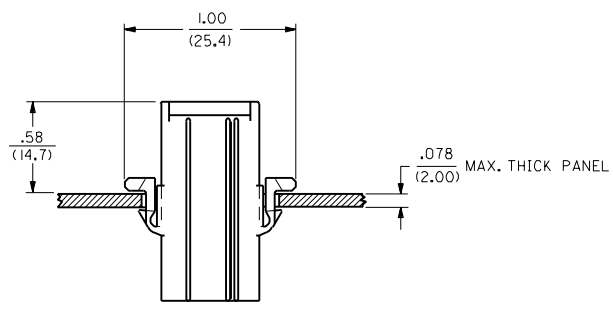
CIRCUIT SIZE

P = PLUG
 R = RECEPTACLE

EARS: BLANK = WITH PREBENT EARS (PLUG ONLY)
 I = WITHOUT EARS

COLOR: BLANK = NATURAL COLOR
 AM=AMBER BK=BLACK BU=BLUE
 BN=BROWN GY=GRAY GN=GREEN
 OR=ORANGE RD=RED YW=YELLOW

MATERIAL: BLANK=NYLON TYPE 6/6, 94V-2
 201=NYLON TYPE 6/6, 94V-0



NOTES:
 1. THESE HOUSINGS FOR USE WITH MOLEX .093/(2.36) DIAMETER SERIES TERMINALS.

J
I
H
G
F
D
C
B
A

3191

DIMENSIONS SHOWN (METRIC) INCH UNLESS OTHERWISE SPECIFIED TOLERANCES: ANGLES .015°		▽=0 ▼=0	REVISE ONLY ON CAD SYSTEM
INCH METRIC		TITLE .093/(2.36) HOUSINGS PLUG AND RECEPTACLE 2 CKT., .264/(6.70) CTRS.	
3 PLACE ± .010 ---		MOLEX INCORPORATED LITTLE ROCK, AR 60532 U.S.A.	
2 PLACE ± .014 ± 0.25		SHEET NO. 3 DATE 11/21/88	
1 PLACE --- ± 0.35		PART NO. SD-3191-2*	
DRAFT WHERE APPLICABLE MUST REMAIN WITHIN DIMENSIONS		SEE CHART	
DRWG. BY: CEP	CHK'D. BY: RW	FILE NAME: 531912X3.DGN	
APP'D. BY: RAS	SCALE: --:--	THIS DRAWING CONTAINS INFORMATION THAT IS PROPRIETARY TO MOLEX INC. AND SHOULD NOT BE USED WITHOUT WRITTEN PERMISSION.	

13 12 11 10 9 8 7 6 5 4 3 2 NO P.S. 1