

PLEASE CHECK WWW.MOLEX.COM FOR LATEST PART INFORMATION

Part Number: [5008170705](#)
Status: **Active**
Description: 2.50mm (.098") Pitch Wire-to-Wire Retainer, 7 Circuits

Documents:

[3D Model](#) [Product Specification PS-500592-001 \(PDF\)](#)
[Drawing \(PDF\)](#) [RoHS Certificate of Compliance \(PDF\)](#)

General

Product Family	Accessories
Series	500817
Component Type	Retainer
Product Name	N/A

Physical

Circuits (Loaded)	7
Color - Resin	Gray
Material - Resin	Polyester
Number of Rows	1
Packaging Type	Bag
Temperature Range - Operating	-40°C to +85°C

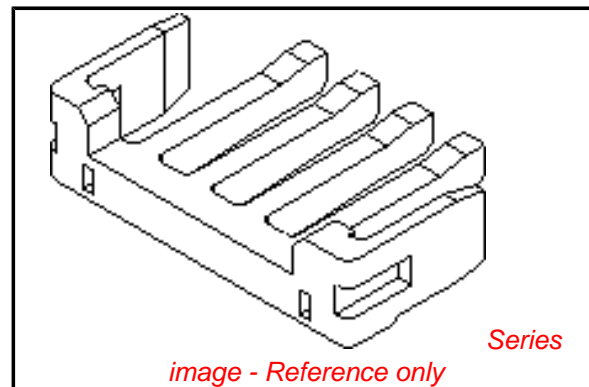
Electrical

Current - Maximum per Contact	3A
-------------------------------	----

Material Info

Reference - Drawing Numbers

Product Specification	PS-500592-001, RPS-500592-002
-----------------------	-------------------------------



EU RoHS

**ELV and RoHS
Compliant**
REACH SVHC
 Not Reviewed
**Halogen-Free
Status**
 Not Reviewed

China RoHS



**Need more information on product
environmental compliance?**

Email productcompliance@molex.com
 For a multiple part number RoHS Certificate of
 Compliance, [click here](#)

Please visit the [Contact Us](#) section for any
 non-product compliance questions.

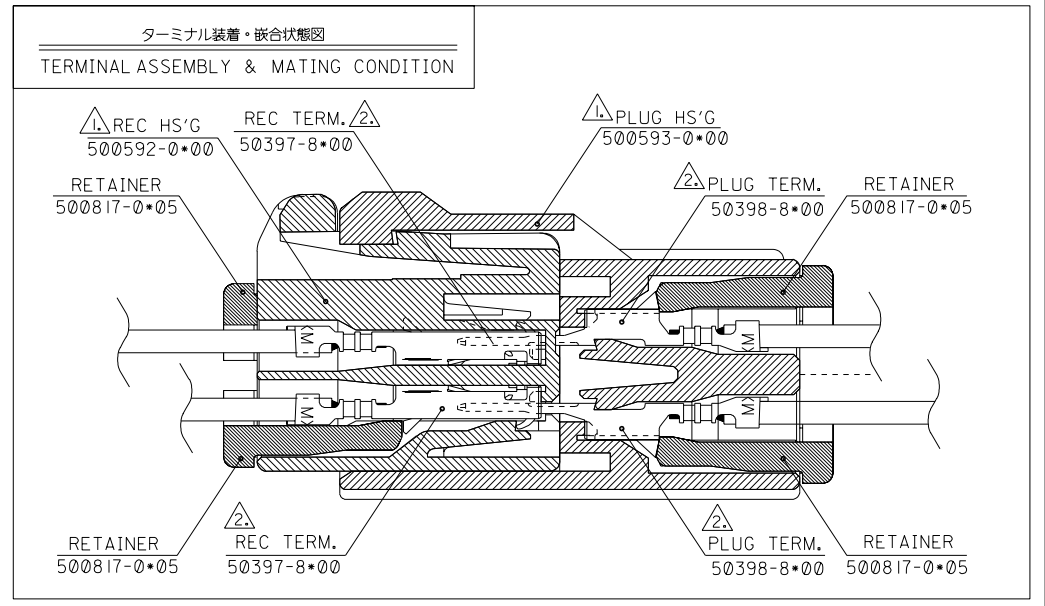
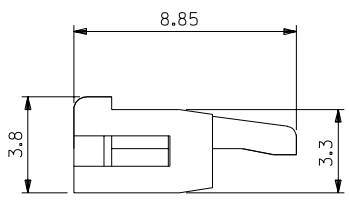
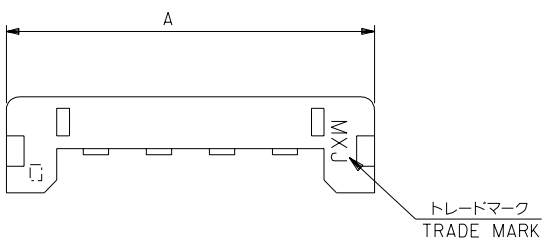
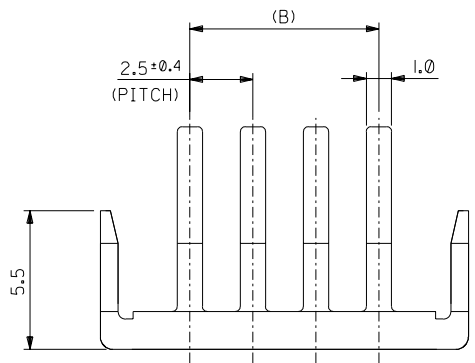
Search Parts in this Series

[500817Series](#)

Use With

[50397](#) , [500594](#) , [500595](#) , [500593](#) , [500592](#)
 , [50398](#)

DWG. NO.
SD-500817-001



注記
NOTES

- 1. 適合ハウジング: 500592/500593シリーズ
500594/500595シリーズ
APPLICABLE TERMINAL: 500592/500593 SERIES
500594/500595 SERIES
- 2. 適合ターミナル: 50397/50398シリーズ
APPLICABLE TERMINAL: 50397/50598 SERIES
- 4. 材質: PBT (UL94V-0)
MATERIAL: PBT(UL94V-0)
色: 灰色
COLOR: GRAY

17.5	24.4	8	500817-0805	500817-***05
15	21.9	7	-0705	
12.5	19.4	6	-0605	
10	16.9	5	-0505	
7.5	14.4	4	-0405	
5	11.9	3	-0305	
2.5	9.4	2	500817-0205	
(B)	A	CKT.	MATERIAL NO.	MODEL NO.

DO NOT SCALE DRAWING

164 NO. DRWN: CH'K: APPR:	163 NO. DRWN: CH'K: APPR:	162 NO. DRWN: CH'K: APPR:	161 NO. DRWN: CH'K: APPR:	RELEASED 160 NO. J2004-4643 DRWN: T.ODA 04/06/09 CH'K: S.ICHIKAWA APPR: YO.ITO	MATERIAL 材料	GENERAL TOLERANCES: (UNLESS SPECIFIED) 一般公差	SCALE 1:1	DESIGN UNITS <input checked="" type="checkbox"/> mm <input type="checkbox"/> INCH	DIMENSIONS: <input type="checkbox"/> mm <input type="checkbox"/> INCH <input checked="" type="checkbox"/> mm ONLY	SHT REV	DIMENSION PROJECTION <input checked="" type="checkbox"/> 1st ANGLE	TITLE: 2.5 mm WIRE TO WIRE CONN. RETAINER
8	7	6	5	4	3	2	THIS DRAWING CONTAINS INFORMATION THAT IS PROPRIETARY TO MOLEX INCORPORATED AND SHOULD NOT BE USED WITHOUT WRITTEN PERMISSION.		SIZE B			