

PLEASE CHECK WWW.MOLEX.COM FOR LATEST PART INFORMATION

Part Number: [0755860011](#)
Status: **Active**
Overview: ipass
Description: 0.80mm (.031") Pitch, iPass™ I/O SMT Receptacle, Right Angle, External Application, 38 Circuit, 0.76µm (30µ") Gold (Au)

Documents:

[3D Model](#) [Product Specification PS-75586-001 \(PDF\)](#)
[Drawing \(PDF\)](#) [RoHS Certificate of Compliance \(PDF\)](#)

Agency Certification

CSA LR19980

General

Product Family I/O Connectors
 Series [75586](#)
 Application Wire-to-Board
 Component Type Receptacle
 Overview [ipass](#)
 Product Name iPass™, PCI Express*, SAS
 Type N/A

Physical

Boot Color N/A
 Circuits (Loaded) 38
 Circuits (maximum) 38
 Color - Resin Black
 Durability (mating cycles max) 250
 Flammability 94V-0
 Gender Female
 Keying to Mating Part None
 Lock to Mating Part None
 Material - Metal High Performance Alloy (HPA)
 Material - Plating Mating Gold
 Material - Plating Termination Tin
 Material - Resin High Temperature Thermoplastic
 Number of Rows 2
 Orientation Right Angle
 PCB Locator Yes
 PCB Retention None
 PCB Thickness Recommended (in) 0.053 In
 PCB Thickness Recommended (mm) 1.35 mm
 Packaging Type Embossed Tape on Reel
 Panel Mount No
 Pitch - Mating Interface (in) 0.031 In
 Pitch - Mating Interface (mm) 0.80 mm
 Pitch - Term. Interface (in) 0.031 In
 Pitch - Term. Interface (mm) 0.80 mm
 Plating min: Mating (µin) 30.4
 Plating min: Mating (µm) 0.76
 Plating min: Termination (µin) 101.6
 Plating min: Termination (µm) 2.54
 Polarized to Mating Part Yes
 Polarized to PCB Yes
 Ports 1
 Surface Mount Compatible (SMC) Yes

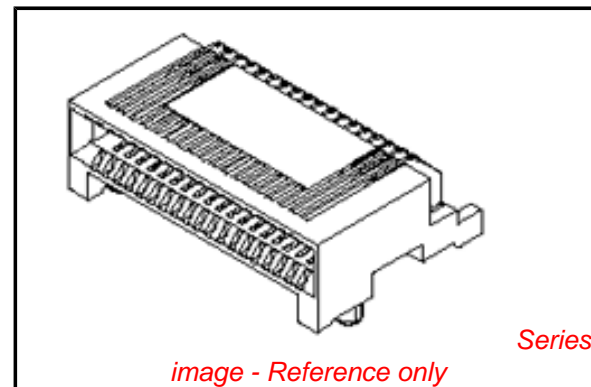


image - Reference only

EU RoHS

**ELV and RoHS
 Compliant**
**REACH SVHC
 Contains SVHC: No**
**Halogen-Free
 Status**

China RoHS



**Need more information on product
 environmental compliance?**

Email productcompliance@molex.com
 For a multiple part number RoHS Certificate of
 Compliance, [click here](#)

Please visit the [Contact Us](#) section for any
 non-product compliance questions.

Search Parts in this Series

[75586Series](#)

Mates With

[74547 iPass™ Cable Assembly](#)

Use With

[74548 I/O Connectors](#)

| | |
|-------------------------------|----------------|
| Temperature Range - Operating | -40°C to +80°C |
| Termination Interface: Style | Surface Mount |
| Waterproof / Dustproof | No |
| Wire Insulation Diameter | N/A |
| Wire Size AWG | N/A |

Electrical

| | |
|-------------------------------|-----------------|
| Current - Maximum per Contact | 0.5A |
| Grounding to Panel | N/A |
| Shielded | No |
| Voltage - Maximum | 30V AC (RMS)/DC |

Solder Process Data

| | |
|------------------------------|---------------------------|
| Lead-free Process Capability | Reflow Capable (SMT only) |
| Process Temperature max. C | 260 |

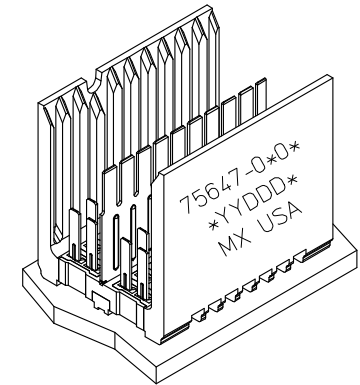
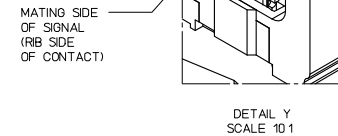
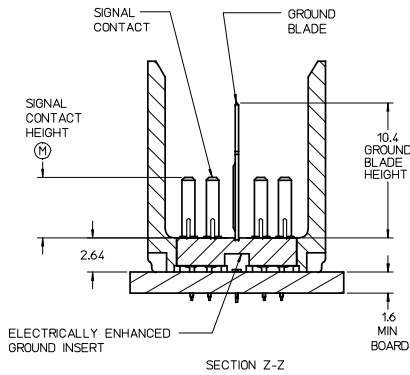
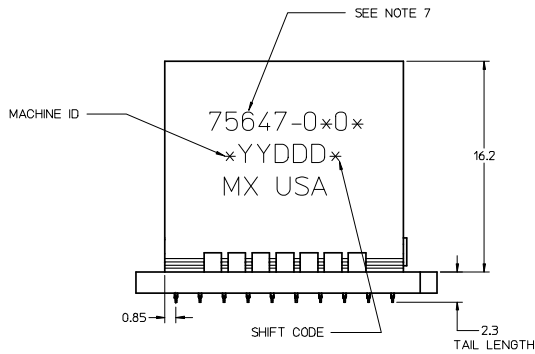
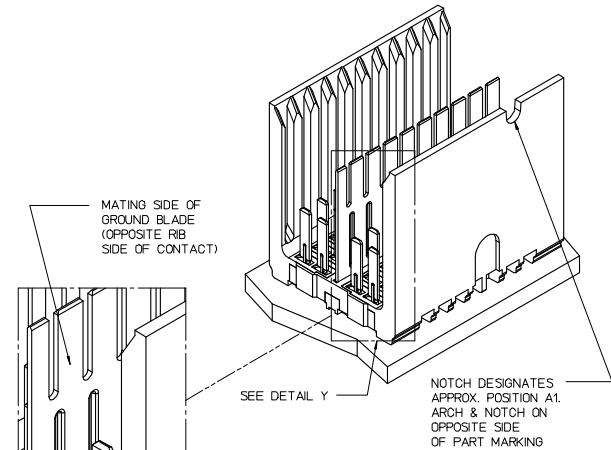
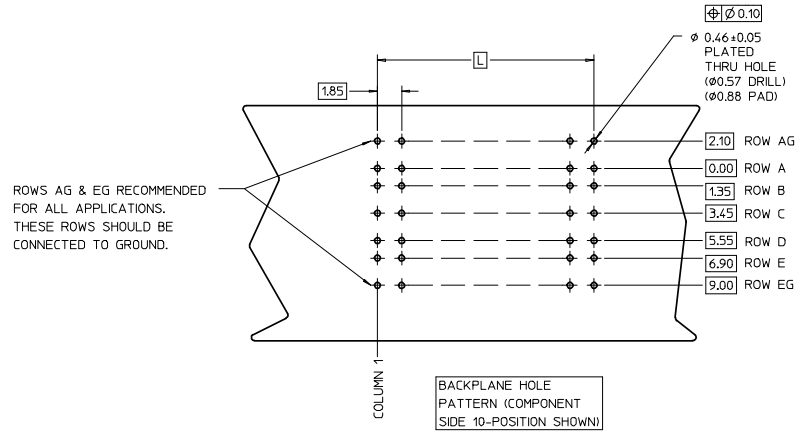
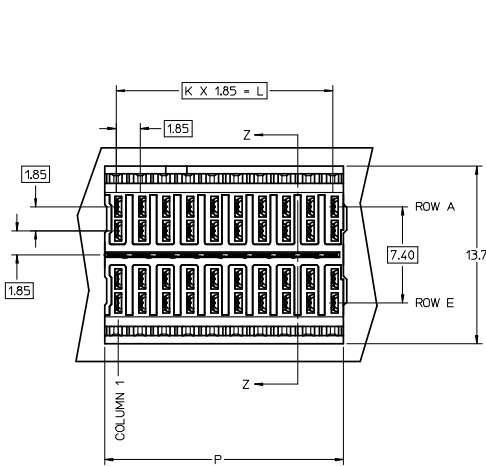
Material Info

Reference - Drawing Numbers

| | |
|---------------------------|----------------------------|
| Application Specification | AS-75586-001 |
| Packaging Specification | PK-75586-002, PK-75586-101 |
| Product Specification | PS-75586-001 |
| Sales Drawing | SD-75586-001 |

This document was generated on 05/28/2010

PLEASE CHECK WWW.MOLEX.COM FOR LATEST PART INFORMATION



- NOTES:
- MATERIAL: HOUSING - LIQUID CRYSTAL POLYMER (LCP) GLASS-FILLED. UL 94V-0. COLOR - GRAY. ELECTRICALLY ENHANCED GROUND INSERT: CONDUCTIVE RESIN. COLOR - RED. SIGNAL CONTACT AND GROUND BLADE - HIGH PERFORMANCE COPPER ALLOY.
 - FINISHES: SELECTIVE GOLD (Au) ON CONTACT AREA. SELECTIVE TINLEAD (SnPb) ON PCB TAILS. NICKEL (Ni) OVERALL.
 - THIS PART CONFORMS TO MOLEX PRODUCT SPECIFICATION PS-75221-999.
 - FOR MIXED CONTACT MATING LENGTHS CONSULT MOLEX FOR AVAILABILITY. CONTACT PAIRS MUST BE THE SAME LENGTH.
 - FOR SPECIFIC PART NUMBER AND MATING INFORMATION PLEASE REFER TO CHART.
 - PACKAGE PER PK-70873-5058.
 - MARK PART NUMBER AND DATE CODE APPROXIMATELY WHERE SHOWN.
 - THIS PART CONFORMS TO MOLEX COSMETIC SPECIFICATION PS-45499-002 CLASS B.

COLUMN 75647-**0*

01 = 10 COL
02 = 25 COL
05 = 5 COL

PIN LENGTH DIM "M"

3=3.55 mm
4=4.55 mm
5=5.55 mm

KEYING ORIENTATION OPEN = 0 (NONE)

| PART NUMBER TABLE | | | | |
|-------------------|----|-------|-------|---------------------------------|
| ASSY PART NO. | K | L | P | TOTAL NO. OF DIFFERENTIAL PAIRS |
| 75647-050* | 4 | 7.40 | 9.10 | 10 |
| 75647-010* | 9 | 16.65 | 18.35 | 20 |
| 75647-020* | 24 | 44.40 | 46.10 | 50 |

| | | | | | | | |
|--|--|--|----------------------------|---|------------------------|------------------------|---|
| REVISED (MINOR) REC NO: UCP2008-2221 DRWNG: JBINGHAM CHKD: 2008/03/12 APPR: JLAURX 2008/03/14 B2 | QUALITY SYMBOLS □=0 ▽=0 | GENERAL TOLERANCES (UNLESS SPECIFIED): 4 PLACES ±--- ±--- 3 PLACES ±--- ±--- 2 PLACES ±0.13 ±--- 1 PLACE ±0.25 ±--- ANGULAR ±---° | DIMENSION STYLE MM ONLY | SCALE 5:1 | DESIGN UNITS METRIC | THIRD ANGLE PROJECTION | |
| | DRAWN BY JBINGHAM | DATE 2006/01/18 | CHECKED BY KMULVEY | DATE 2006/01/18 | APPROVED BY SREED | DATE 2006/01/18 | TITLE GBX 2-PAIR BACKPLANE ELECTRICALLY ENHANCED OPEN END SALES ASSEMBLY |
| | MATERIAL NO. SEE CHART | DOCUMENT NO. SD-75647-010 | SIZE D | THIS DRAWING CONTAINS INFORMATION THAT IS PROPRIETARY TO MOLEX INCORPORATED AND SHOULD NOT BE USED WITHOUT WRITTEN PERMISSION | SHEET NO. 1 OF 1 | MOLEX INCORPORATED | |
| | DRAFT WHERE APPLICABLE MUST REMAIN WITHIN DIMENSIONS | | | | | | |