

REMARK:

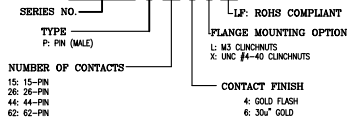
1. CHARACTERISTICS:

- RATED VOLTAGE: 250V
- RATED CURRENT: 2.5AMP
- CONTACT RESISTANCE: 25mohms MAX(40mohms MAX FOR AFTER TEST).
- INSULATION RESISTANCE: 5000Mohms MIN.at 500V DC
- DIELECTRIC STRENGTH: 750VRMS
- OPERATING TEMPERATURE RANGE: -55° C~105° C
- INSERTION/EXTRACTION FORCE PER CONTACT: 5N Max./0.2N Min.
- MATING/UNMATING CYCLES: 200MATINGS MIN FOR GOLD-FLASH  
500MATINGS MIN FOR 30u" GOLD.

2. MATERIAL:

- INSULATORS: THERMOPLASTIC G.F(UL94V-0) BLACK
- CONTACTS: COPPER ALLOY, GOLD(G/F or 30u")TOP OVER CONTACT AREA,  
100u" Min MATTE TIN TOP OVER SOLDER AREA,  
50u" Min NICKEL UNDER PLATE.
- SHELL: CARBON STEEL, 100u" Min NICKEL TOP OVER,  
50u" Min COPPER UNDER PLATE.
- Z BRACKET: COPPER ALLOY, 100u" Min MATTE TIN PLATED.
- SCREW LOCK: COPPER ALLOY, 50u" Min NICKEL PLATED.

3. PART NUMBER DESCRIPTION: 10090926-P XX X X LF



POS.	PART NO.	THREAD TYPE
15P	10090926-P15*LLF	M3*0.5
26P	10090926-P26*LLF	M3*0.5
44P	10090926-P44*LLF	M3*0.5
62P	10090926-P62*LLF	M3*0.5
15P	10090926-P15*XLF	UNC #4-40
26P	10090926-P26*XLF	UNC #4-40
44P	10090926-P44*XLF	UNC #4-40
62P	10090926-P62*XLF	UNC #4-40

POS.	A	B	C	D	E	F	H
15P	30.81	24.99	16.92	2.29	8.19	7.68	5.90 <sup>+0.25</sup> <sub>0</sub>
26P	39.24	33.32	25.25	2.29	8.01	7.02	5.90 <sup>+0.25</sup> <sub>0</sub>
44P	53.04	47.04	38.96	2.29	8.02	7.01	5.70 <sup>+0.25</sup> <sub>0</sub>
62P	69.32	63.50	55.42	2.41	8.21	7.03	5.70 <sup>+0.25</sup> <sub>0</sub>

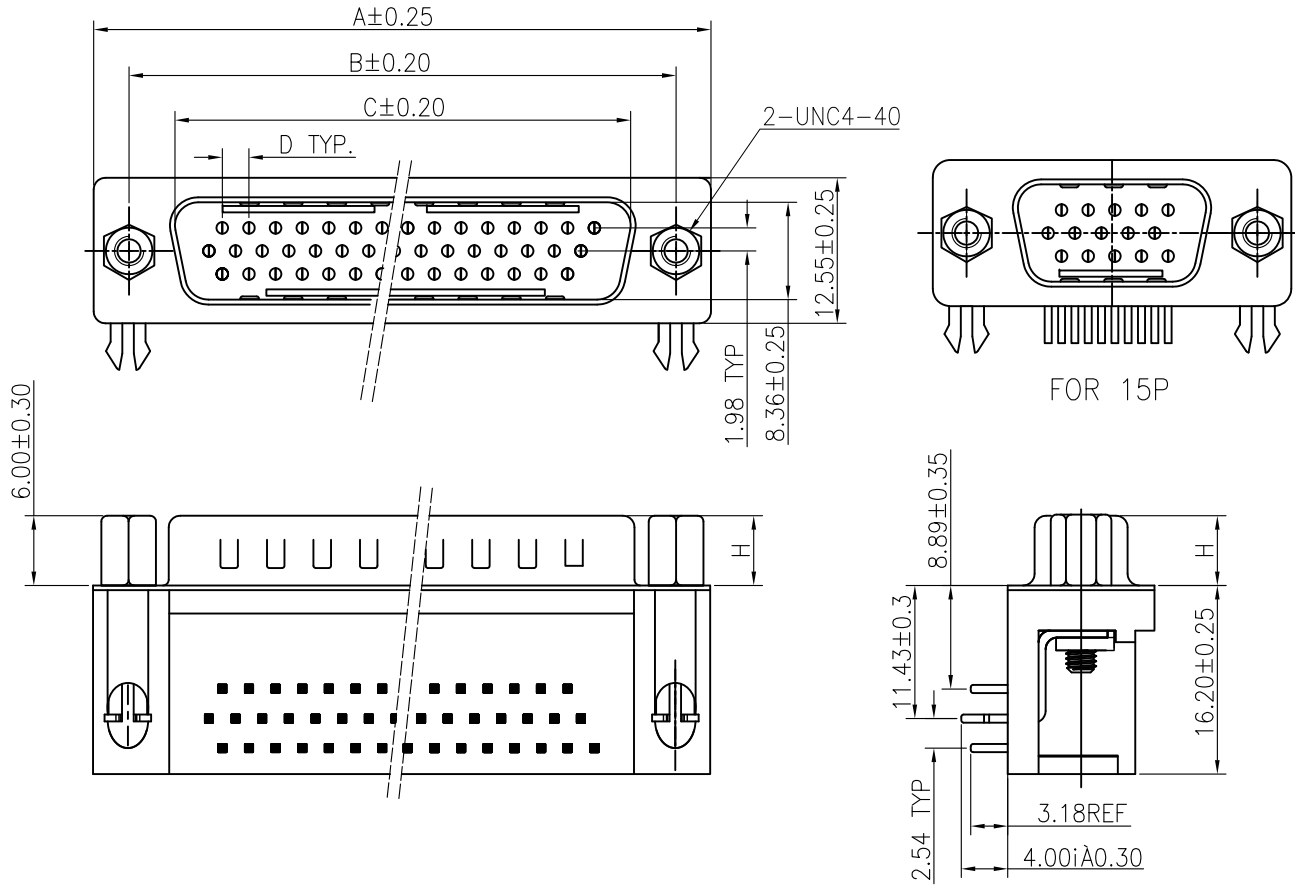
mat'l. code				tolerances unless otherwise specified			CUSTOMER COPY		FCI	
ltr	ecn no	dr	date	linear	.X ± 0.38	projection	www.fciconnect.com			
A	T09-1156	J.H	12/10/09		.XX ± 0.25		title			
B	T10-0164	J.H	10/19/10	angles	.XXX ± 0.10		H/D D-SUB MALE RIGHT-ANGLE			
					0° ± 2°		product family D-SUB		code	
				dr	JASON HSU 10/19/10		size dwg no		TWN	
				enrg	JASON HSU 10/19/10		10090926		sheet	
				chr	GARY HSIEH 10/19/10		A4		1 of 5	
				appd	JOSEPH HSIA 10/19/10	scale	1:1			
sheet index	revision	B	B	B	B	B				
	sheet	1	2	3	4	5				



1 | 2

3 |

4



REMARK:

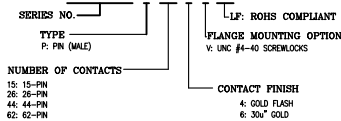
1. CHARACTERISTICS:

- RATED VOLTAGE: 250V
- RATED CURRENT: 2.5AMP
- CONTACT RESISTANCE: 25mohms MAX (40mohms MAX FOR AFTER TEST).
- INSULATION RESISTANCE: 5000Mohms MIN. at 500V DC
- DIELECTRIC STRENGTH: 750VRMS
- OPERATING TEMPERATURE RANGE: -55° C ~ 105° C
- INSERTION/EXTRACTION FORCE PER CONTACT: 5N Max. / 0.2N Min.
- MATING/UNMATING CYCLES: 200MATING MIN FOR GOLD-FLASH  
500MATING MIN FOR 30u" GOLD.

2. MATERIAL:

- INSULATORS: THERMOPLASTIC G. F (UL94V-0) BLACK
- CONTACTS: COPPER ALLOY (G/F or 30u") TOP OVER CONTACT AREA,  
100u" Min MATTE TIN TOP OVER SOLDER AREA,  
50u" Min NICKEL UNDER PLATE.
- SHELL: CARBON STEEL, 100u" Min NICKEL TOP OVER,  
50u" Min COPPER UNDER PLATE.
- Z BRACKET: COPPER ALLOY, 100u" Min MATTE TIN PLATED.
- SCREW LOCK: COPPER ALLOY, 50u" Min NICKEL PLATED.
- NUT: COPPER ALLOY, 50u" Min NICKEL PLATED.

3. PART NUMBER DESCRIPTION: 10090926-P XX X X LF



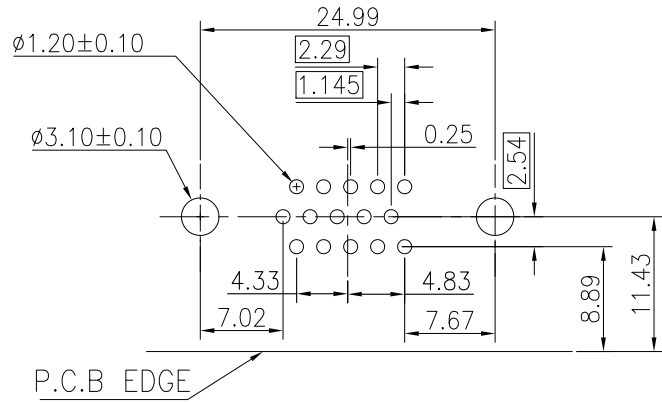
POS.	PART NO.	A	B	C	D	E	F	H
15P	10090926-P15*VLF	30.81	24.99	16.92	2.29	8.19	7.68	5.90 ± 0.25
26P	10090926-P26*VLF	39.24	33.32	25.25	2.29	8.01	7.02	5.90 ± 0.25
44P	10090926-P44*VLF	53.04	47.04	38.96	2.29	8.02	7.01	5.90 ± 0.25
62P	10090926-P62*VLF	69.32	63.50	55.42	2.41	8.21	7.03	5.90 ± 0.25

mat'l. code				tolerances unless otherwise specified		CUSTOMER COPY		FCI	
ltr	ecn no	dr	date	linear	.X ± 0.38	projection	www.fciconnect.com		
B				angles	.XX ± 0.25		title		
					.XXX ± 0.10		H/D D-SUB MALE RIGHT-ANGLE		
				dr	0° ± 2°		product family D-SUB		code
				enrg	JASON HSU 10/19/10		size dwg no		TWN
				chr	JASON HSU 10/19/10		10090926		sheet
				appd	GARY HSIEH 10/19/10		A4		2 of 5
				appd	JOSEPH HSIA 10/19/10	scale			
sheet index	revision sheet					1:1			

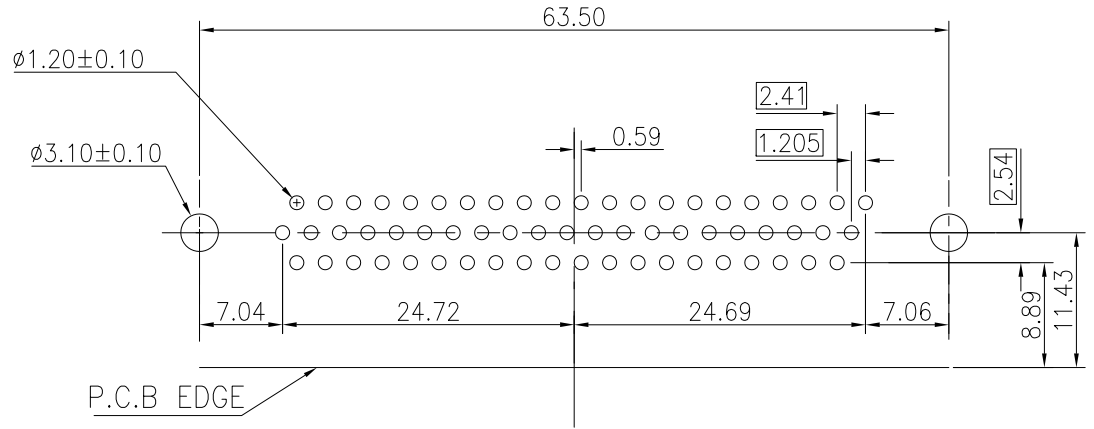
1 | 2

3 |

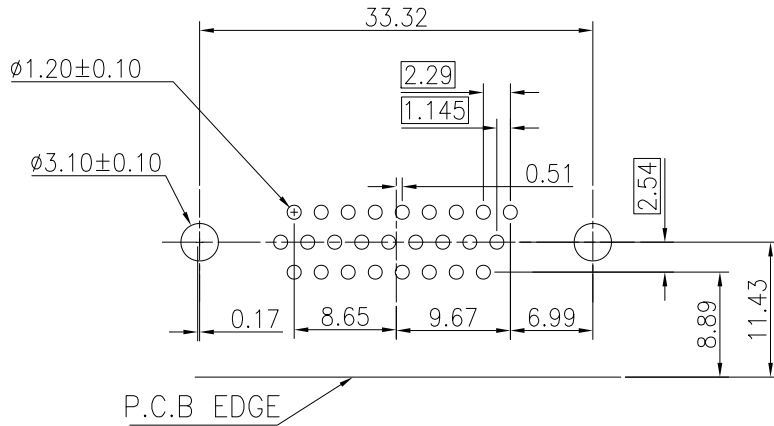
4



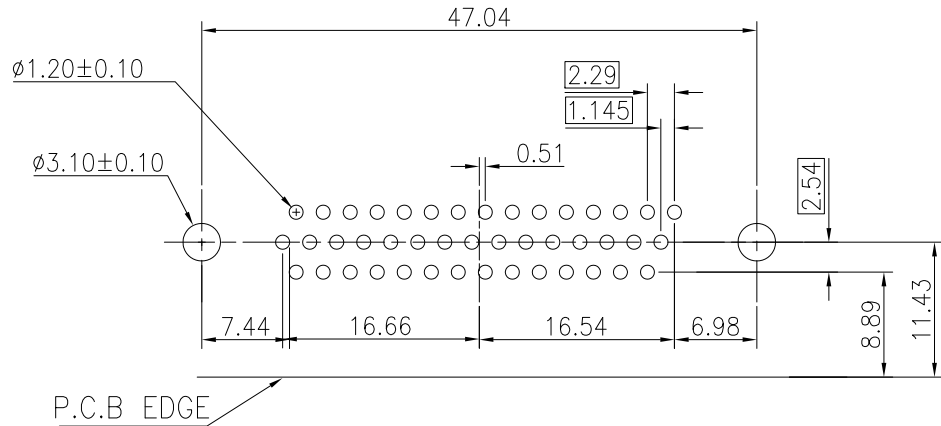
P.C.B LAYOUT(FOR 15P)



P.C.B LAYOUT(FOR 62P)

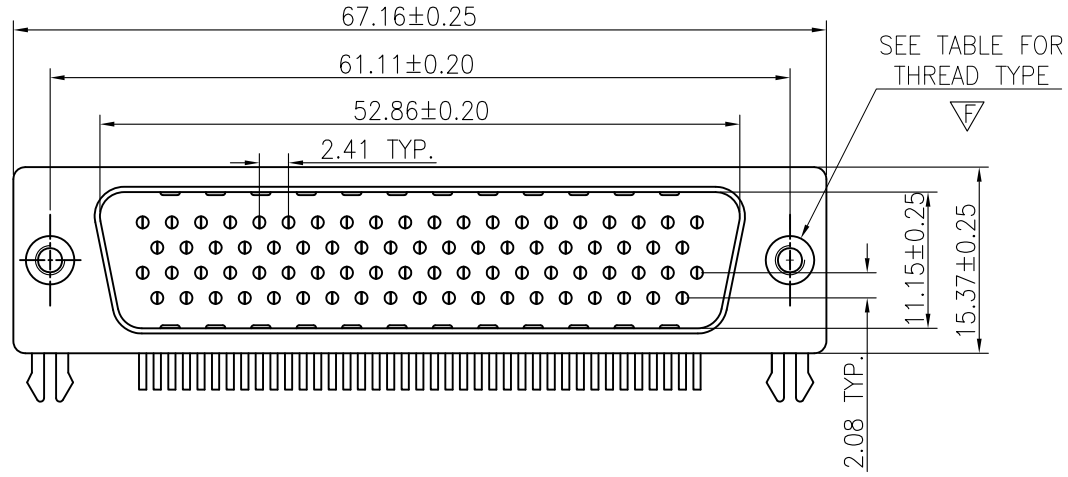


P.C.B LAYOUT(FOR 26P)



P.C.B LAYOUT(FOR 44P)

mat'l. code				tolerances unless otherwise specified			CUSTOMER COPY		FCI		www.fciconnect.com	
ltr	ecn no	dr	date	linear	.X ± 0.38		projection	title				
B					.XX ± 0.25			H/D D-SUB MALE RIGHT-ANGLE PCB	product family		code	
					.XXX ± 0.10				D-SUB	D-SUB		TWN
				angles	0° ± 2°		MM	size		sheet		
				dr	JASON HSU	10/19/10	scale	A4		10090926		
				enr	JASON HSU	10/19/10		1:1		3 of 5		
				chr	GARY HSIEH	10/19/10						
				appd	JOSEPH HSIA	10/19/10						
sheet index	revision sheet											

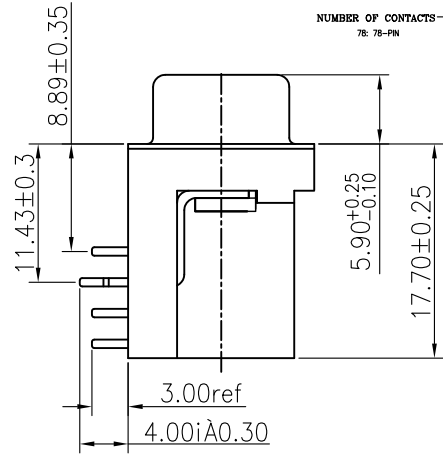
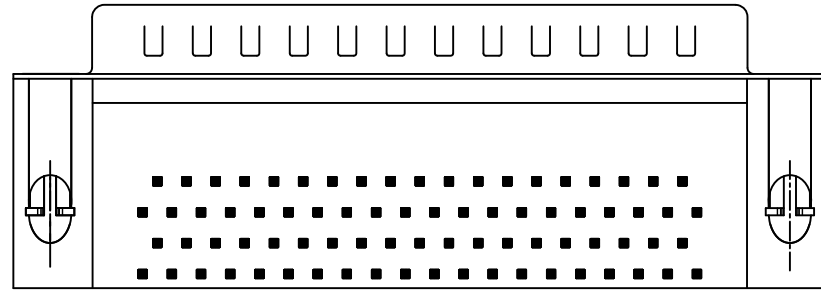


REMARK:  
 1. CHARACTERISTICS:  
 RATED VOLTAGE: 250V  
 RATED CURRENT: 2.5AMP  
 CONTACT RESISTANCE: 35mohms MAX(50mohms MAX FOR AFTER TEST).  
 INSULATION RESISTANCE: 5000Mohms MIN.at 500V DC  
 DIELECTRIC STRENGTH: 750VRMS  
 OPERATING TEMPERATURE RANGE: -55° C~105° C  
 INSERTION/EXTRACTION FORCE PER CONTACT: 5N Max./0.2N Min.  
 MATING/UNMATING CYCLES: 200MATINGS MIN FOR GOLD-FLASH  
 500MATINGS MIN FOR 30u" GOLD.

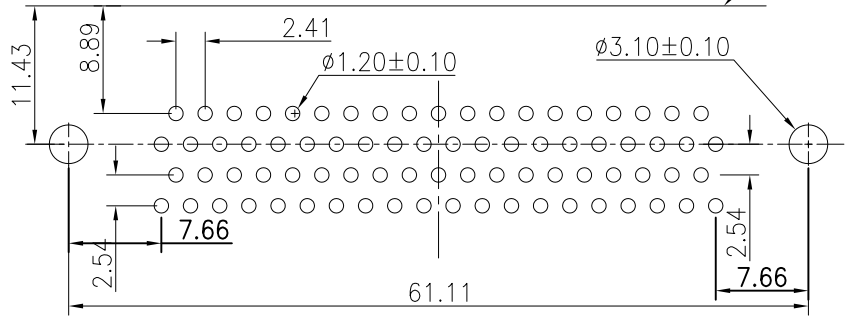
2. MATERIAL:  
 INSULATORS: THERMOPLASTIC G.F(UL94V-0) BLACK  
 CONTACTS: COPPER ALLOY, GOLD(G/F or 30u")TOP OVER CONTACT AREA,  
 100u" Min MATTE TIN TOP OVER SOLDER AREA,  
 50u" Min NICKEL UNDER PLATE.  
 SHELL: CARBON STEEL, 100u" Min NICKEL TOP OVER,  
 50u" Min COPPER UNDER PLATE.  
 Z BRACKET: COPPER ALLOY, 100u" Min MATTE TIN PLATED.  
 SCREW LOCK: COPPER ALLOY , 50u" Min NICKEL PLATED.

3. PART NUMBER DESCRIPTION: 10090926-P XX X X LF

SERIES NO.		L: ROHS COMPLIANT
TYPE		PLANGE MOUNTING OPTION
P: PIN (MALE)		L: M3 CLINCHNUTS
NUMBER OF CONTACTS		X: UNC #4-40 CLINCHNUTS
78: 78-PIN		CONTACT FINISH
		4: GOLD FLASH
		6: 30u" GOLD



P.C.B EDGE



P.C.B LAYOUT

POS.	PART NO.	THREAD TYPE
78P	10090926-P78*LLF	M3*0.5
78P	10090926-P78*XLF	UNC #4-40

mat'l. code				tolerances unless otherwise specified			CUSTOMER COPY		FCI		www.fciconnect.com		
ltr	ecn no	dr	date	linear	.X ± 0.38		projection	title					
B					.XX ± 0.25			H/D D-SUB MALE RIGHT-ANGLE					
				angles	.XXX ± 0.10		MM	product family		D-SUB			
					0° ± 2°			size		dwg no		code	
				dr	JASON HSU	10/19/10	scale	A4		10090926		sheet	
				enr	JASON HSU	10/19/10		1:1				TWN	
				chr	GARY HSIEH	10/19/10						4 of 5	
				appd	JOSEPH HSIA	10/19/10							
sheet index	revision sheet												

Tous droits strictement réservés. Reproduction ou communication à des tiers interdite sous quelque forme que ce soit sans autorisation écrite du propriétaire. Propriété de c FCI. Droits de reproduction FCI.

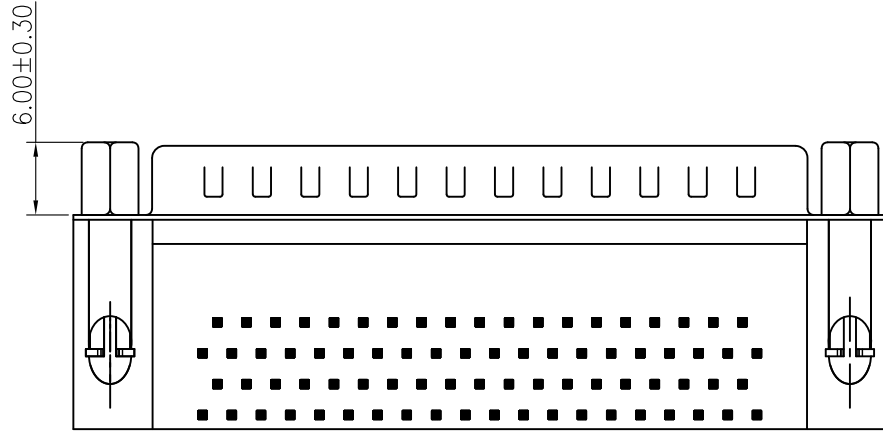
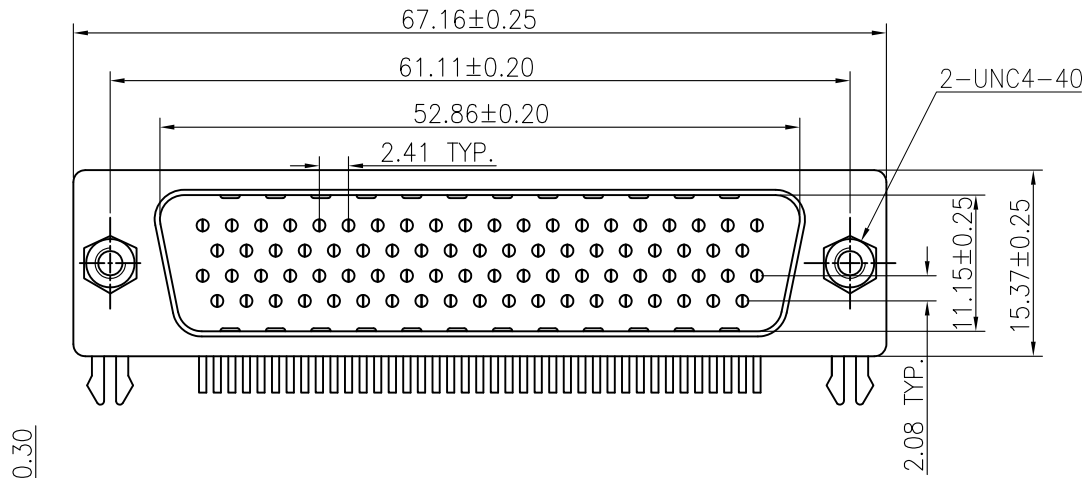


All rights strictly reserved. Reproduction or issue to third parties in any form whatever is not permitted without written authority from the proprietor. Property of FCI. Copyright FCI.

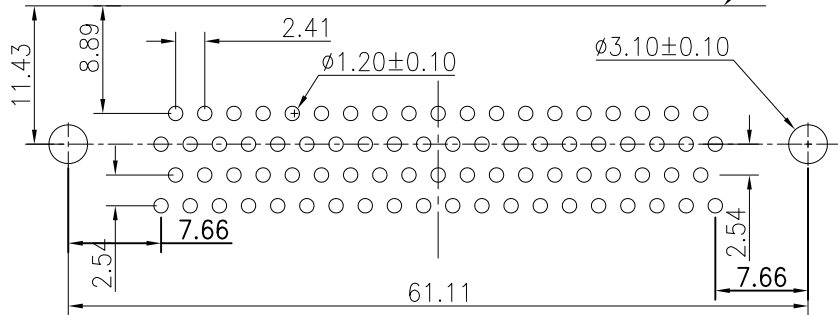
1 | 2

3

4



P.C.B EDGE



P.C.B LAYOUT

1 | 2

REMARK:

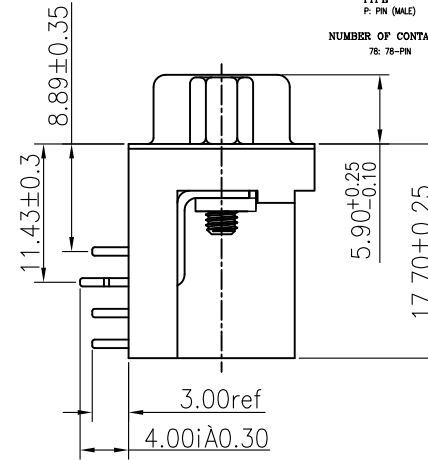
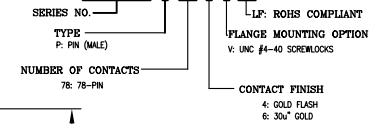
1. CHARACTERISTICS:

- RATED VOLTAGE: 250V
- RATED CURRENT: 2.5AMP
- CONTACT RESISTANCE: 35mohms MAX(50mohms MAX FOR AFTER TEST).
- INSULATION RESISTANCE: 5000Mohms MIN.at 500V DC
- DIELECTRIC STRENGTH: 750VRMS
- OPERATING TEMPERATURE RANGE: -55° C~105° C
- INSERTION/EXTRACTION FORCE PER CONTACT: 5N Max./0.2N Min.
- MATING/UNMATING CYCLES: 200MATINGS MIN FOR GOLD-FLASH  
500MATINGS MIN FOR 30u" GOLD.

2. MATERIAL:

- INSULATORS: THERMOPLASTIC G.F(UL94V-0) BLACK
- CONTACTS: COPPER ALLOY, GOLD(G/F or 30u")TOP OVER CONTACT AREA,  
100u" Min MATTE TIN TOP OVER SOLDER AREA,  
50u" Min NICKEL UNDER PLATE.
- SHELL: CARBON STEEL, 100u" Min NICKEL TOP OVER,  
50u" Min COPPER UNDER PLATE.
- Z BRACKET: COPPER ALLOY, 100u" Min MATTE TIN PLATED.
- SCREW LOCK: COPPER ALLOY, 50u" Min NICKEL PLATED.
- NUT: COPPER ALLOY, 50u" Min NICKEL PLATED.

3. PART NUMBER DESCRIPTION: 10090926-P XX X X LF



PART NO.: 10090926-P78\*VLF

mat'l. code				tolerances unless otherwise specified			CUSTOMER COPY		FCI		www.fciconnect.com	
ltr	ecn no	dr	date	linear	.X ± 0.38	projection	title	H/D D-SUB MALE RIGHT-ANGLE				
B					.XX ± 0.25							
					.XXX ± 0.10							
				angles	0° ± 2°							
				dr	JASON HSU	10/19/10	MM	product family		D-SUB	code	
				engr	JASON HSU	10/19/10		size		dwg no	TWN	
				chr	GARY HSIEH	10/19/10		scale	A4		10090926	sheet
				appd	JOSEPH HSIA	10/19/10					5 of 5	
sheet index	revision sheet											

ACAD

PDM: Rev:B

STATUS: Released

Printed: Nov 02, 2010

3

cage code

4

B