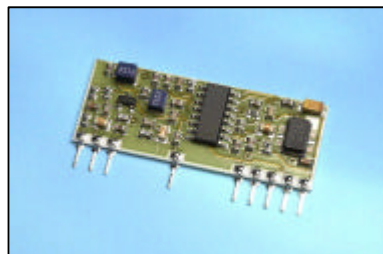




AM SUPERHETRODYNE RECEIVERS.

AM-RRS3-XXX AM-RRQ3-XXX

- Compact Hybrid Module.
- Ceramic Substrate
- 315 / 433 / 868MHz Available
- Very High Frequency Stability
- Receiving Range Up To 100 Metres.
- CMOS/TTL Compatible Output.
- Single Supply Voltage 5V.
- Operates from $-25 - +85^{\circ}\text{C}$
- Compatible With R.F. Solutions AM Transmitters.
- Compliant to ETS300-220



RRS3

- Sensitivity Typ -106dbm
- Saw Filter Front End.

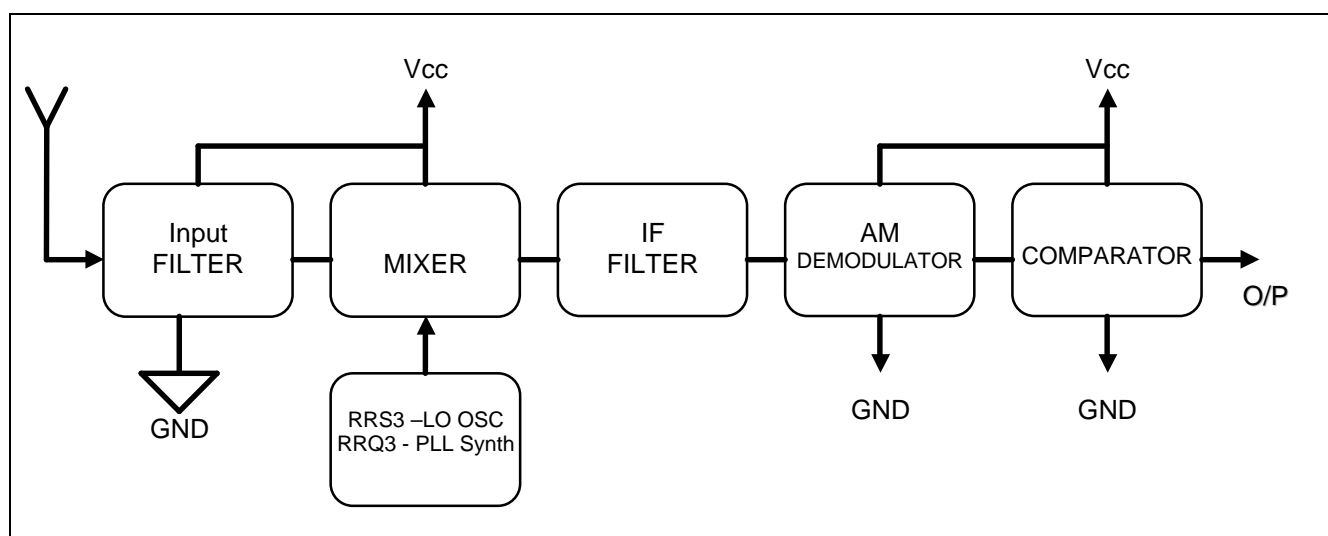
RRQ3

- Sensitivity Typ -107dbm
- PLL Synthesizer Front End
- Sleep Mode

The R.F. Solutions AM Superheterodyne Receivers are compact modules, which can be used to capture undecoded data from any equivalent AM Transmitter, such as R.F. Solutions AM-RT4 range of transmitters. (See AM Transmitter datasheet).

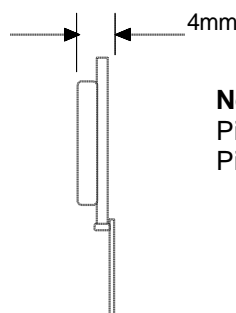
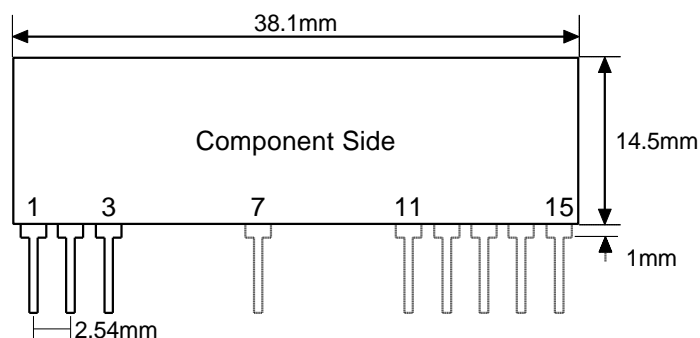
Receivers are manufactured on a ceramic substrate incorporates either a SAW Filter and pre amplifier front end or PLL Synthesizer for maximum sensitivity and reduced EMC emissions. These modules show a very high frequency stability over a wide operating temperature even when subjected to mechanical vibrations or manual handling offering a very cost effective solution.

Block diagram





Mechanical Dimensions



Notes

Pins on 0.1" pitch
Pin Dims :0.25 x 0.50mm

Pin Descriptions

RRS3	
Pin No	Pin Name
1	+Vcc
2	GND
3	DATA IN (Antenna)
7	GND
11	GND
12	NC
13	NC
14	DATA OUT
15	+VCC

RRQ3	
Pin No	Pin Name
1	+Vcc
2	GND
3	DATA IN (Antenna)
7	GND
11	GND
12	NC
13	RSSI (output)
14	DATA OUT
15	PD (Power Down input) 0 = Standby Mode ($I_{standby}$ 100nA max) 5V = Normal Operation

Electrical Characteristics (Applies to all variants below)

Ambient temperature = 25°C.

Electrical Characteristics	Min	Typical	Max	Dimension
Supply Voltage (Vcc)	4.5	5	5.5	V
Supply Current		5	6	mA
Receiver Frequency 315MHz variants		315		MHz
Receiver Frequency 433MHz variants		433.92		MHz
Receiver Frequency 868MHz variants		868.35		MHz
Low Level Output Voltage			0.8	V
High Level Output Voltage	Vcc-1			V
Operating Temperature Range	-25		+80	°C

AM-RRS3 Electrical Characteristics

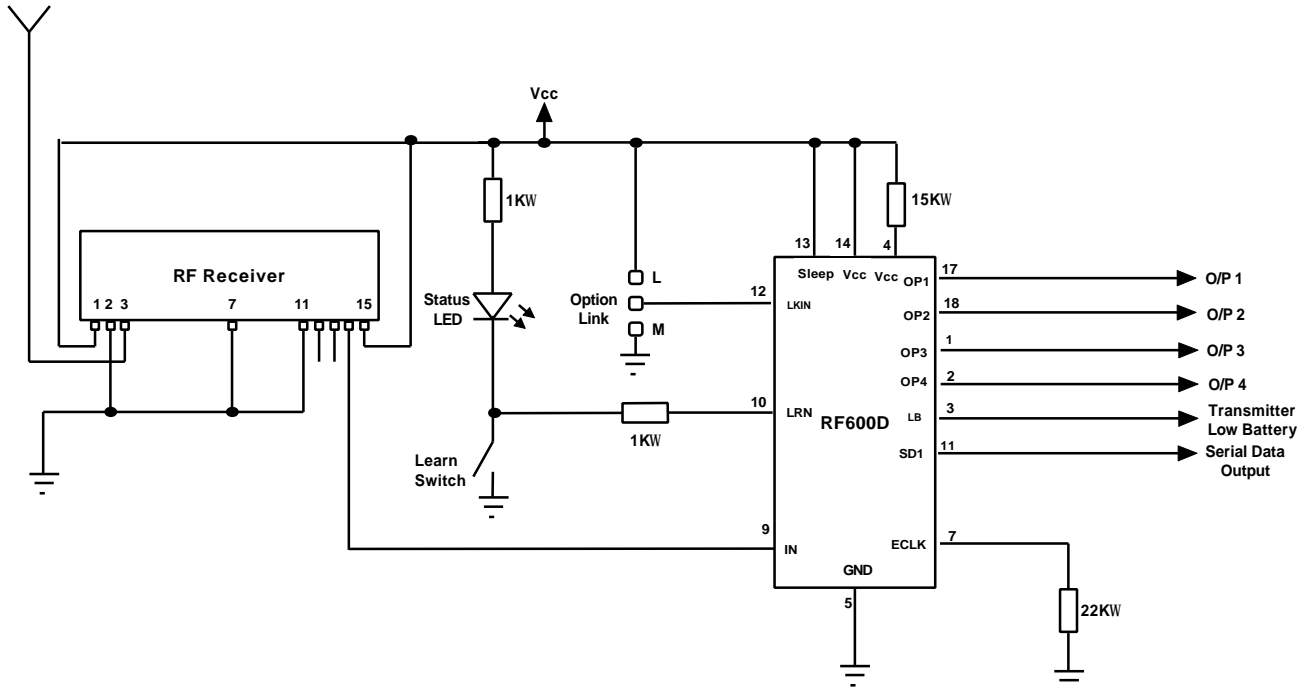
Electrical Characteristics	Min	Typical	Max	Dimension
R.F Sensitivity (100% AM)		-106		dBm
3dB Bandwidth		+/-400		KHz
Max Data Rate			4.8	KHz
Turn on Time (Power on to Data valid)			20	mSecs
Level of Emitted Spectrum		-70	-65	dBm

AM-RRQ3 Electrical Characteristics

Electrical Characteristics	Min	Typical	Max	Dimension
R.F Sensitivity (100% AM)		-107		dBm
3dB Bandwidth		+/-200		KHz
Max Data Rate			4.8	KHz
Level of Emitted Spectrum			-70	dBm



Application Circuit



Part numbering

AM-RRS3-315	Receiver Module 315MHz
AM-RRS3-418	Receiver Module 418MHz
AM-RRS3-433	Receiver Module 433MHz
AM-RRQ3-315	Receiver Module 315MHz
AM-RRQ3-433	Receiver Module 433MHz
AM-RRQ3-868	Receiver Module 868MHz

Should you require further assistance, please call;

R. F. Solutions Ltd.,
Unit 21, Cliffe Industrial Estate,
South Street, Lewes,
E Sussex, BN8 6JL. England.
Tel +44 (0)1273 898 000. Fax +44 (0)1273 480 661.
Email sales@rfsolutions.co.uk
http://www.rfsolutions.co.uk
RF Solutions is a member of the Low Power Radio Association.



Information contained in this document is believed to be accurate, however no representation or warranty is given and no liability is assumed by R.F. Solutions Ltd. with respect to the accuracy of such information. Use of R.F.Solutions as critical components in life support systems is not authorised except with express written approval from R.F.Solutions Ltd.