

Specifications

| | |
|---------------------------|---------------------------------|
| Insulation Resistance: | 100MΩ min. at 500V DC or higher |
| Contact Resistance: | 1.7Ω/m |
| Withstanding Voltage: | 250V AC for 1 minute |
| Voltage Rating: | 30V AC DC |
| Current Rating: | 0.2A or less |
| Operating Temp. Range: | -40°C to +80°C |
| Characteristic Impedance: | 100±10Ω |
| Intra / Inter Skew: | 10 ps/m or less |
| Attenuation: | 19db/m at 5GHz (reference only) |
| Bending at 180°: | 20 times or more |

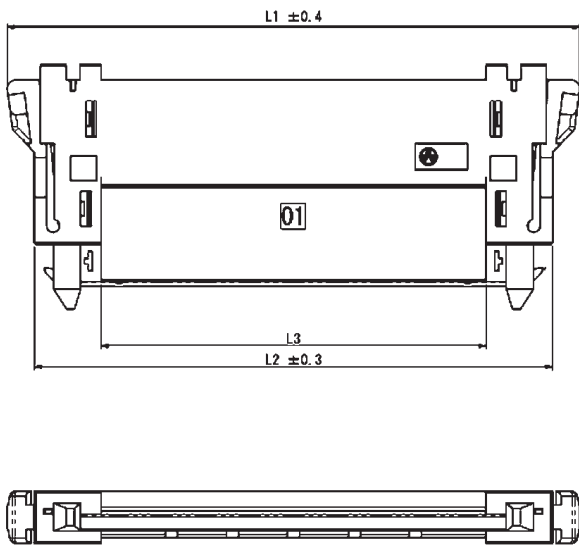
Materials and Finish

| | |
|------------|---|
| Housing: | LCP (GF), black |
| Lock Hold: | SUS t = 0.2mm |
| Contacts: | Phosphor Bronze, (t = 0.15mm) Ni-Au plating |
| Terminal: | Phosphor Bronze, (t = 0.15mm) Ni-Au plating |

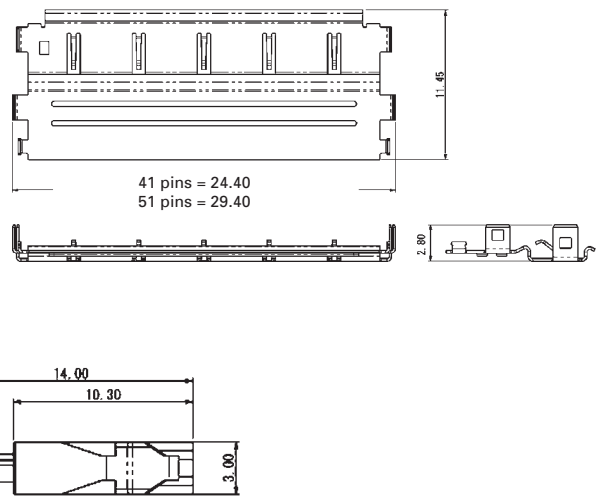
Features

- High speed transmission 3Gbps
- Differential impedance 100Ω
- One shielding
- UL compliant

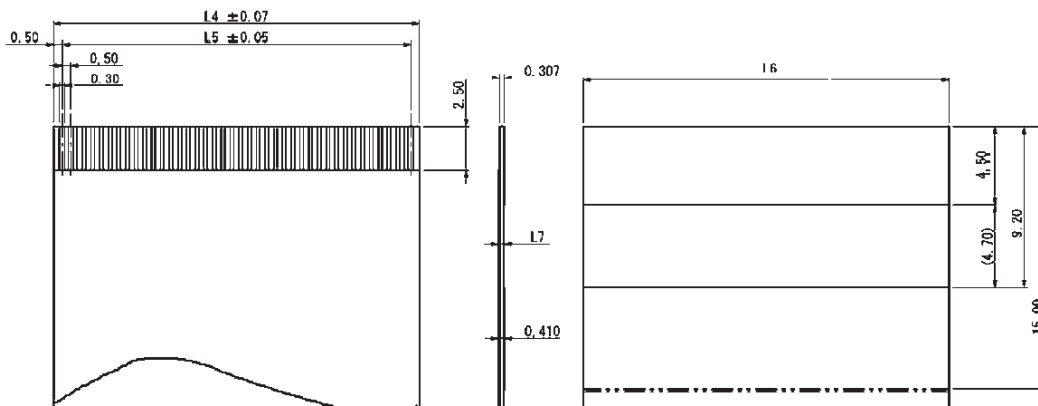
Outline Dimensions



Outline Shielding Dimensions



Outline Cable Dimensions



Part Number (Details)

YFT - ** - 250 - *

| | |
|-------------------------------|--|
| Series No. | |
| No. of Contacts (41 and 51) | |
| Length in mm | |
| A = Adapters on the same side | |
| B = Adapters on reversed side | |



| Part Number | Pin Count | L1 | L2 | L3 | L4 | L5 | L6 |
|--------------|-----------|-------|-------|-------|-------|-------|-------|
| YFT-41-***.* | 41 | 32.85 | 29.75 | 22.10 | 20.00 | 21.00 | 19.75 |
| YFT-51-***.* | 51 | 37.85 | 34.75 | 27.10 | 25.00 | 26.00 | 24.75 |

Series HF507S Non-ZIF 90° Socket for High Speed Applications

Specifications

Insulation Resistance: 100MΩ min.
 Contact Resistance: 100mΩ max.
 Withstanding Voltage: 125V ACrms for 1 minute
 Voltage Rating: 50V ACrms
 Current Rating: 0.3A
 Operating Temp. Range: -20°C to +85°C
 Differential Impedance: 100 Ω
 Insertion / Extraction: 30 times max.



Materials and Finish

Housing: LCP (GF), black
 Lock Hold: SUS t = 0.2mm
 Contacts: Phosphor Bronze, (t = 0.15mm) Ni-Au plating
 Terminal: Phosphor Bronze, (t = 0.15mm) Ni-Au plating

Features

- Suitable for LVDS, HDMI, DVI, PCI express and S-ATA data transmission
- Easy operation by side-locking mechanism prevents cable angular insertion and guarantees secure locking

Part Number (Details)

HF507S - 41 - **

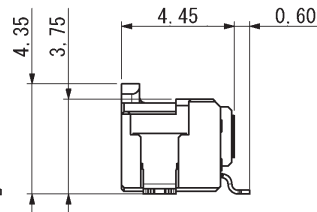
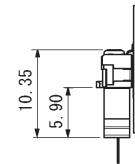
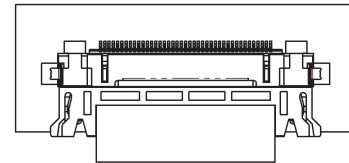
Series No.

No. of Contacts
(21, 31, 41 and 51)

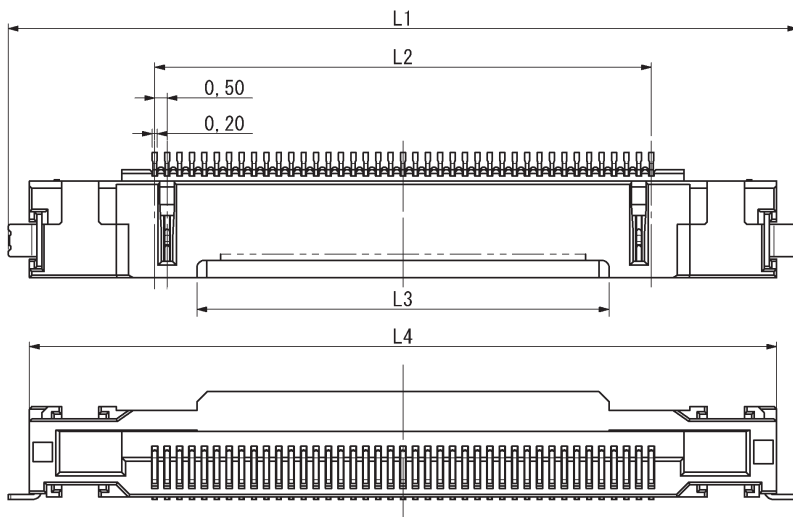
01 = 90° Without Shielding
 03 = 90° With Shielding

Applicable Cable
see page C-5 to C-7

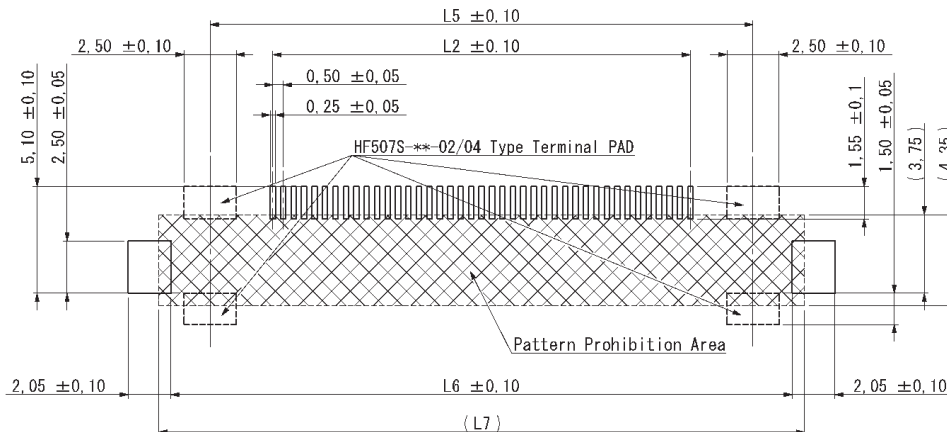
Orientation for 90° Socket



Outline Dimensions for 90° Socket



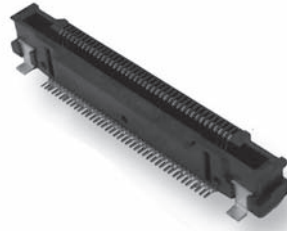
Recommended PCB Layout



| Part Number | Pin Count | L1 | L2 | L3 | L4 | L5 | L6 | L7 |
|--------------|-----------|-------|-------|-------|-------|-------|-------|-------|
| HF507S-21-0* | 21 | 16.00 | 10.00 | 6.60 | 20.10 | 16.00 | 19.75 | 20.95 |
| HF507S-31-0* | 31 | 21.00 | 15.00 | 11.60 | 25.10 | 21.00 | 24.75 | 25.95 |
| HF507S-41-0* | 41 | 26.00 | 20.00 | 16.60 | 30.10 | 26.00 | 29.75 | 30.95 |
| HF507S-51-0* | 51 | 31.00 | 25.00 | 21.60 | 35.10 | 31.00 | 34.75 | 35.95 |

Specifications

- Insulation Resistance: 100MΩ min.
- Contact Resistance: 100mΩ max.
- Withstanding Voltage: 125V ACrms for 1 minute
- Voltage Rating: 50V ACrms
- Current Rating: 0.3A
- Operating Temp. Range: -20°C to +85°C
- Differential Impedance: 100 Ω
- Insertion / Extraction: 30 times max.



Materials and Finish

- Housing: LCP (GF), black
- Lock Hold: SUS t = 0.2mm
- Contacts: Phosphor Bronze, (t = 0.15mm) Ni-Au plating
- Terminal: Phosphor Bronze, (t = 0.15mm) Ni-Au plating

Features

- Suitable for LVDS, HDMI, DVI, PCI express and S-ATA data transmission
- Easy operation by side-locking mechanism prevents cable angular insertion and guarantees secure locking

Part Number (Details)

HF507S - 21 - **

Series No.

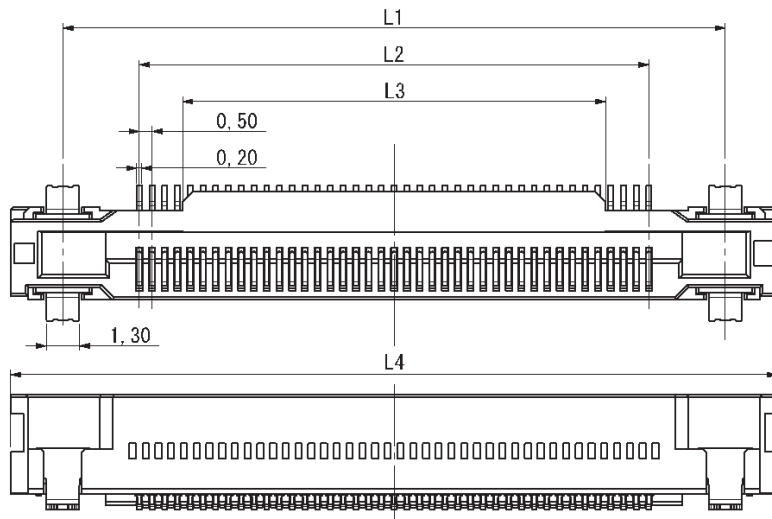
No. of Contacts
(21, 31, 41 and 51)

02 = 180° Without Shielding
04 = 180° With Shielding*

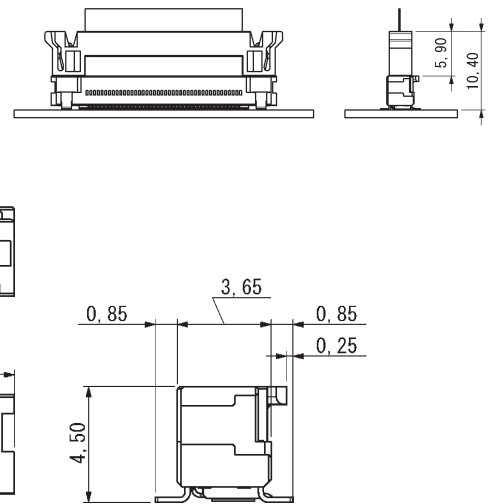
*180° with shielding not available for 21 pin version

Applicable Cable
see page C-5 to C-7

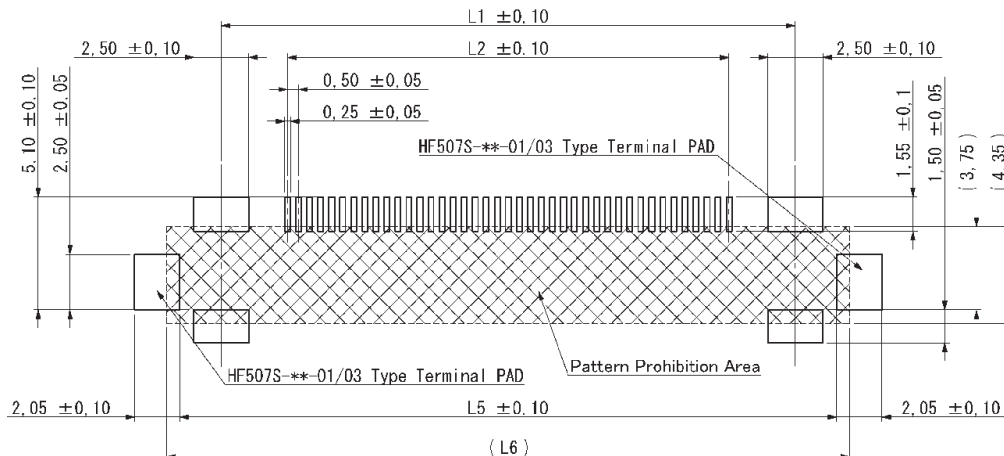
Outline Dimensions for 180° Socket



Orientation for 180° Socket



Recommended PCB Layout



| Part Number | Pin Count | L1 | L2 | L3 | L4 | L5 | L6 |
|--------------|-----------|-------|-------|-------|-------|-------|-------|
| HF507S-21-0* | 21 | 16.00 | 10.00 | 6.60 | 20.10 | 19.75 | 20.95 |
| HF507S-31-0* | 31 | 21.00 | 15.00 | 11.60 | 25.10 | 24.75 | 25.95 |
| HF507S-41-0* | 41 | 26.00 | 20.00 | 16.60 | 30.10 | 29.75 | 30.95 |
| HF507S-51-0* | 51 | 31.00 | 25.00 | 21.60 | 35.10 | 34.75 | 35.95 |