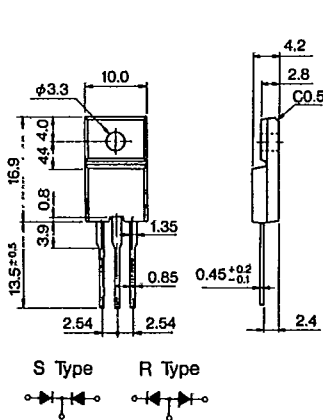


FMG/FML

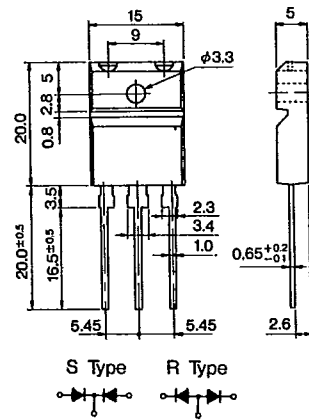
Rating/ Characteristics	Absolute Maximum Ratings						Electrical Characteristics (Ta = 25°C)					Others				
	V _{RSM} (V)	V _{RM} (V)	I _o (A)	I _{FSM} (A)	T _j (°C)	T _{stg} (°C)	V _F (V)		I _R (mA)	I _{R(H)} (mA)	t _{rr} (μs)	Outline Drawing	Weight(g)	Taping	Note	
Type No.	per chip		With Fin	50Hz Sine Half Wave Single Pulse 10ms.			Max. per chip	I _F (A)	V _R = V _{RM} max (per chip)	V _R = V _{RM} , T _j = 150°C max (per chip)	I _F /I _{RP} (mA)					
FMG-11S, R	100	100	5.0	35			1.3	2.5		1.5	0.1	100/100	②	2.1		
FMG-12S, R	200	200														
FMG-13S, R	300	300														
FMG-14S, R	400	400														
FMG-21S, R	100	100	10	65			1.3	5.0		2.5	0.1	100/100	②	2.1		
FMG-22S, R	200	200														
FMG-23S, R	300	300														
FMG-24S, R	400	400														
FMG-26S, R	600	600	8.0				2.0									
FMG-31S, R	100	100	20	150			1.3	10	1.0	5.0	0.1	100/100	③	5.5		
FMG-32S, R	200	200														
FMG-33S, R	300	300														
FMG-34S, R	400	400														
FMG-36S, R	600	600	16	100			2.2	7.5								
FMG-G26S	600	600	4.0	50	-40 ~ +150		2.5	4.0	0.5	3.0	0.1	100/100	④	2.1		
FMG-G36S	600	600	8.0	80			8.0	500/500					⑤	5.5		
FML-11S	100	100	5.0	35			0.98	2.5	0.15	0.5	0.04	100/100	②	2.1		
FML-12S	200	200														
FML-13S	300	300														
FML-14S	400	400														
FML-21S	100	100	10	65			0.98	5.0	0.25	1.0	0.04	100/100	②	2.1		
FML-22S	200	200														
FML-23S	300	300														
FML-24S	400	400														
FML-31S	100	100	20	150			0.98	10	0.6	2.0	0.04	100/100	③	5.5		
FML-32S	200	200														
FML-33S	300	300														
FML-34S	400	400														
FML-G12S	200	200	5.0	65			0.98	5.0	0.25	1.0	0.04	100/100	④	2.1		
FML-G13S	300	300														
FML-G14S	400	400														
FML-G16S	600	600														
FML-G22S	200	200	10	150			0.98	10	0.5	2.0	0.04	100/100	④			

Thermal Resistance R_{th(j-c)} max: 4.2°C/W (FMG-G26S)
2.1°C/W (FMG-G36S)

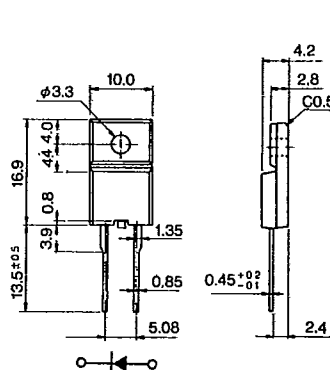
Outline Drawing ②



Outline Drawing ③



Outline Drawing ④



Outline Drawing ⑤

