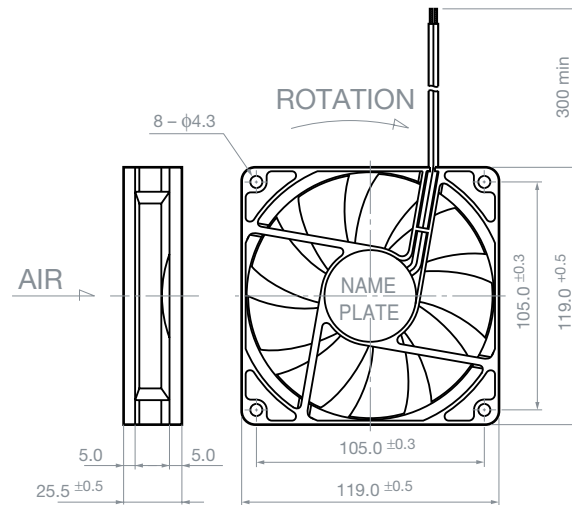
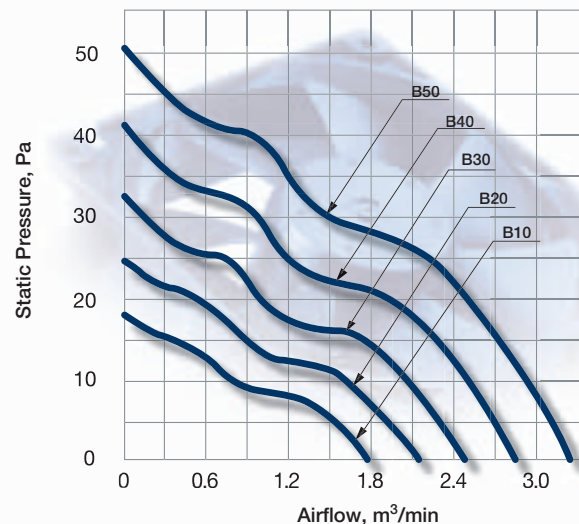


4710KL SERIES DC AXIAL FAN



Specification Data:

- Dimensions/Type: 119mm □ x 25mm Axial Fan
- Motor Protection: Auto Restart/Reverse Polarity Protection
- Temperature Range:
 - B50 -10°C~+60°C (Operating)
 - B10~B40 -10°C~+70°C (Operating)
 - All Classes -40°C~+70°C (Storage)
- Material: Casing: Plastic (Black) 94V-0
Impeller: Plastic (Black) 94V-0
- Lead Wire: UL1007, AWG24, +Red, -Black
- Weight: 180g
- Rotation Direction: Clockwise
- Airflow Direction: Out Over Support Struts



Model	Product No.	Rated Voltage (VDC)	Voltage Range	Current (A)	Input Power (W)	Speed (RPM)	Max. Airflow (m³/min)	Max. Static Pressure (Pa)	Noise (dBA)
4710KL-04W-B10-	X00	12	6.0~13.8	0.12	1.44	1600	1.80	17.9	27.0
4710KL-04W-B20-	X00	12	6.0~13.8	0.19	2.28	1900	2.15	24.8	31.0
4710KL-04W-B30-	X00	12	6.0~13.8	0.28	3.36	2200	2.50	32.3	35.0
4710KL-04W-B40-	X00	12	6.0~13.8	0.40	4.80	2500	2.85	40.9	38.5
4710KL-04W-B50-	X00	12	6.0~13.0	0.55	6.60	2800	3.25	50.5	41.5
4710KL-05W-B10-	X00	24	10.0~27.6	0.08	1.92	1600	1.80	17.9	27.0
4710KL-05W-B20-	X00	24	10.0~27.6	0.10	2.40	1900	2.15	24.8	31.0
4710KL-05W-B30-	X00	24	10.0~27.6	0.15	3.60	2200	2.50	32.3	35.0
4710KL-05W-B40-	X00	24	10.0~27.6	0.22	5.28	2500	2.85	40.9	38.5
4710KL-05W-B50-	X00	24	10.0~26.0	0.29	6.96	2800	3.25	50.5	41.5
4710KL-07W-B10-	X00	48	25.0~55.2	0.05	2.40	1600	1.80	17.9	27.0
4710KL-07W-B20-	X00	48	25.0~55.2	0.07	3.36	1900	2.15	24.8	31.0
4710KL-07W-B30-	X00	48	25.0~55.2	0.09	4.32	2200	2.50	32.3	35.0
4710KL-07W-B40-	X00	48	25.0~50.0	0.12	5.76	2500	2.85	40.9	38.5
4710KL-07W-B50-	X00	48	25.0~50.0	0.18	8.64	2800	3.25	50.5	41.5



Distributed by: Diamond Electronics Ltd

Tel: +44(0)1477 500450 Fax: +44(0)1477 500656 Mail: sales@diamondelec.co.uk

Web: www.diamondelec.co.uk