

Zener diodes

500mW, 5 to 35V

EQA01-□□

2238792 COLLMER SEMICONDUCTOR INC

74C 00604

D

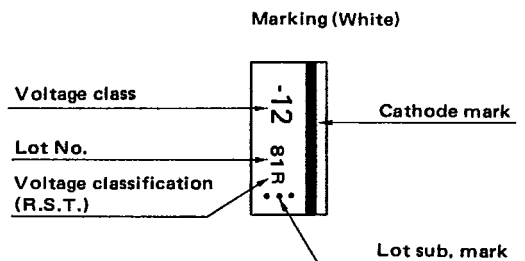
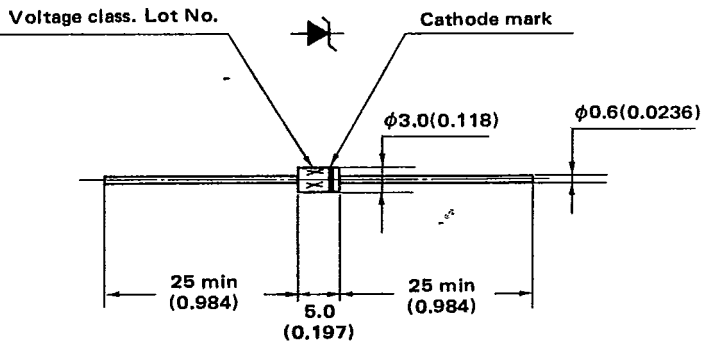
T-11-



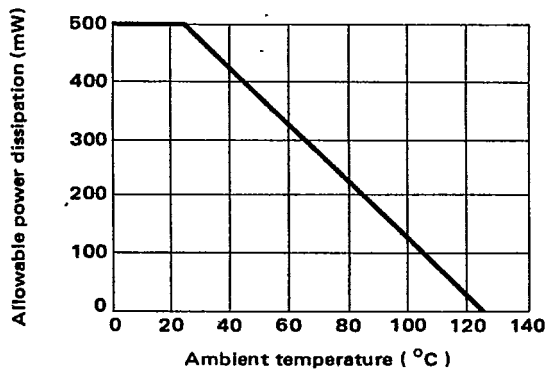
Maximum ratings

Max. power dissipation at 25°C	500mW
Continuous allowable junction temperature	-30 to +125°C
Storage temperature	-30 to +125°C
Net weight	0.3g

Dimensions, mm (inch)



Derating curve





Electrical characteristics

Type	V _{ZT}			Test curr. mA	Max. dynamic impedance			I _s leakage curr. @V _s , T _a =25°C μA max.	V _s test vtg. V	Temperature coefficient for V _{ZT} %/deg. typ.		
	Zener voltage @I _{ZT} , T _a =25°C				Z _{ZT} @I _{ZT} ohm	I _{ZT} mA	Z _{ZK} @I _{ZK} ohm				I _{ZK} mA	
	V min.	V nom.	V max.									
EQA01-05		4.5	5.0	5.6	15	25	15	1300	0.50	5	1	+0.01
	R	4.5	4.8	5.0								
	S	4.7	5.0	5.3								
EQA01-06		5.0	5.3	5.6	15	8	15	1100	0.50	3	2	+0.03
	R	5.3	5.6	5.9								
	S	5.7	6.0	6.3								
EQA01-07		5.9	6.3	6.6	15	8	15	500	0.25	3	3.5	+0.04
	R	6.3	6.7	7.1								
	S	6.7	7.1	7.5								
EQA01-08		6.3	6.9	7.5	15	8	15	400	0.25	1	4	+0.05
	R	7.1	7.5	7.9								
	S	7.6	8.0	8.4								
EQA01-09		7.1	7.8	8.4	15	8	15	400	0.25	1	5	+0.055
	R	8.0	8.5	9.0								
	S	8.5	9.0	9.5								
EQA01-10		8.0	8.8	9.5	15	8	15	500	0.25	1	7	+0.06
	R	9.0	9.5	10.0								
	S	9.5	10.0	10.5								
EQA01-11		9.0	9.8	10.5	15	12	15	500	0.25	1	8	+0.065
	R	10.1	10.6	11.2								
	S	10.6	11.2	11.8								
EQA01-12		10.1	11.1	11.8	15	12	15	500	0.25	1	10	+0.065
	R	11.2	11.8	12.4								
	S	11.9	12.5	13.1								
EQA01-13	R	12.5	13.2	13.9	15	15	15	500	0.25	1	11	+0.068
EQA01-14	R	13.3	14.0	14.7	10	15	10	500	0.25	1	11	+0.07
EQA01-15	R	14.2	15.0	15.8	10	15	10	500	0.25	1	12	+0.07
EQA01-16	R	15.2	16.0	16.8	10	15	10	500	0.25	1	12.5	+0.07
EQA01-17	R	16.2	17.0	17.9	10	15	10	500	0.25	1	13	+0.075
EQA01-18	R	17.1	18.0	18.9	10	15	10	500	0.25	1	14	+0.075
EQA01-19	R	18.1	19.0	20.0	10	15	10	500	0.25	1	15	+0.075
EQA01-20	R	19.0	20.0	21.0	10	15	10	500	0.25	1	16	+0.075
EQA01-21	R	20.1	21.2	22.3	10	20	10	500	0.25	1	17	+0.08
EQA01-22	R	21.3	22.4	23.5	5	30	5	500	0.25	1	18	+0.08
EQA01-24	R	22.4	23.6	24.8	5	30	5	500	0.25	1	19	+0.08
EQA01-25	R	23.7	25.0	26.3	5	30	5	500	0.25	1	20	+0.08
EQA01-26	R	25.2	26.5	27.8	5	40	5	500	0.25	1	22	+0.08
EQA01-28	R	26.6	28.0	29.4	5	40	5	500	0.25	1	23	+0.08
EQA01-30	R	28.5	30.0	31.5	5	50	5	500	0.25	1	24	+0.085
EQA01-32	R	29.9	31.5	33.1	5	60	5	500	0.25	1	25	+0.085
EQA01-33	R	31.8	33.5	35.2	5	70	5	500	0.25	1	27	+0.085
EQA01-35	R	33.8	35.5	37.3	5	80	5	500	0.25	1	28	+0.085

The dynamic zener impedance is derived from the 60Hz ac voltage drop which results when an ac current with (0.1 x I_{ZT}) mA rms value is superimposed on I_{ZT}.