



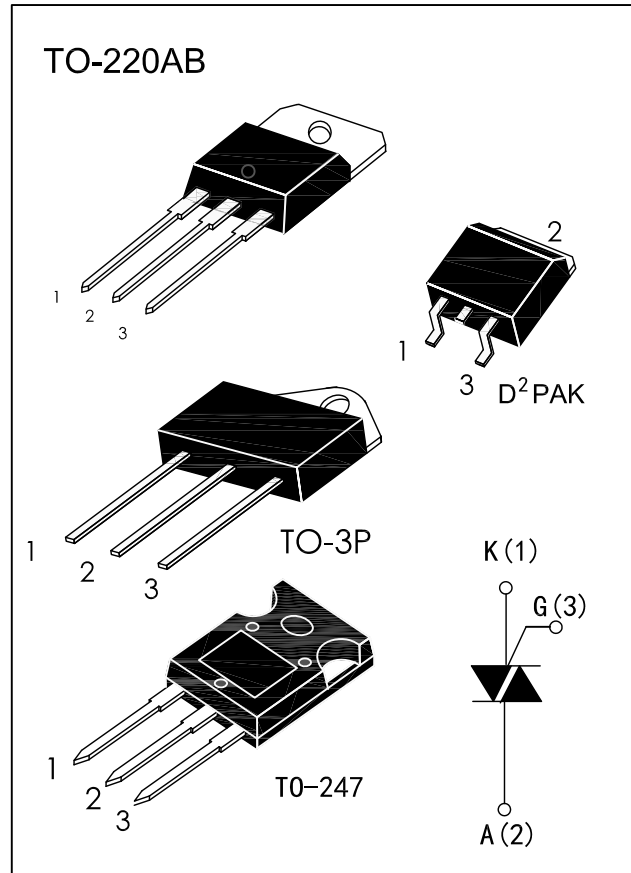
TYN625--TYN1225 Series 25A SCR's

DESCRIPTION:

TYN625--TYN1225 series of silicon controlled rectifiers are specifically designed for medium power switching and phase control applications.

High current density due to double mesa technology; SIPOS and Glass Passivation technology used has reliable operation up to 125°C junction temperature. Low Igt parts available.

Typical applications are in input rectification (softstart) and these products are designed to be used with International Rectifier input diodes, switches and output rectifiers which are available in identical package outlines.



MAIN FEATURES

Symbol	Value	Unit
$I_{T(RMS)}$	25	A
V_{DRM}/V_{RRM}	600 to 1200	V
V_{TM}	≤ 1.6	V

ABSOLUTE MAXIMUM RATINGS

Parameter		Symbol	Value	Unit
Average on-state current ($T_c=79^\circ\text{C}$, 180° conduction half sine wave)		$I_{T(AV)}$	16	A
Storage junction temperature range		T_{stg}	-40 to +150	$^\circ\text{C}$
Operating junction temperature range		T_j	-40 to +125	$^\circ\text{C}$
Repetitive Peak Off-state Voltage	$T_j=25^\circ\text{C}$	V_{DRM}	600-1200	V
Repetitive Peak Reverse Voltage		V_{RRM}	600-1200	V
Non repetitive Surge Peak Off-state Voltage	$T_j=25^\circ\text{C}$	V_{DSM}	700-1300	V
Non repetitive Peak Reverse Voltage		V_{RSM}	700-1300	V
RMS on-state current ($T_c=79^\circ\text{C}$, 180° conduction half sine wave)		$I_{T(RMS)}$	25	A
One cycle Non repetitive surge current	10ms sine pulse, rated V_{RRM} applied	I_{TSM}	250	A
	10ms sine pulse, no voltage applied		260	
I^2t Value for fusing	10ms sine pulse, rated V_{RRM} applied	I^2t	310	A^2s
	10ms sine pulse, no voltage applied		320	
Critical rate of rise of turned-on current ($T_j=25^\circ\text{C}$)		di/dt	100	A/ μs
Peak gate current	$t_p=20\mu\text{s}$, $T_j=125^\circ\text{C}$	I_{GM}	4	A
Average gate power dissipation	$T_j=125^\circ\text{C}$	$P_{G(AV)}$	1	W

ELECTRICAL CHARACTERISTICS ($T_j=25^{\circ}\text{C}$ unless otherwise specified)

Symbol	Test Condition		T_j			Unit
			-40°C	25°C	125°C	
I_{GT}	required DC gate current to trigger	MAX.	100	40	15	mA
V_{GT}	required DC gate voltage to trigger (anode supply=6V, resistive load)	MAX.	2.5	1.5	1.0	V
V_{GD}	DC gate voltage not to trigger ($T_j=125^{\circ}\text{C}$, $V_{DRM}=\text{rated value}$)	MAX.	0.2			V
I_L	$I_G=1.2I_{GT}$	MAX.	----	80	----	mA
I_H	Holding current	MAX.	----	60	----	mA
dV/dt	$V_D=67\%V_{DRM}$ gate open $T_j=125^{\circ}\text{C}$	MIN.	500			V/ μs

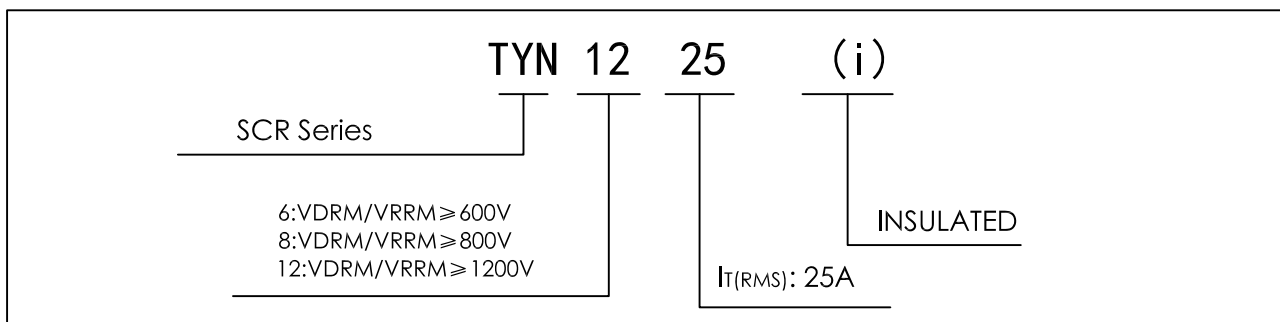
STATIC CHARACTERISTICS

Symbol	Test Conditions		Value (MAX)	Unit
V_{TM}	$I_{TM}=50A, t_p=380\mu S$	$T_j=25^\circ C$	1.6	V
I_{DRM} / I_{RRM}	$V_D=V_{DRM}$ $V_R=V_{RRM}$	$T_j=25^\circ C$	10	μA
		$T_j=125^\circ C$	4	mA

THERMAL RESISTANCES

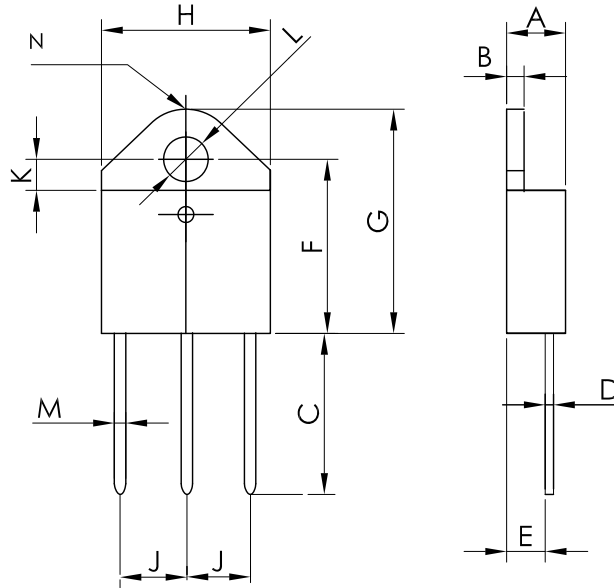
Symbol	Parameter		Value	Unit
$R_{th(j-c)}$	Junction to case (AC)	TO-247	0.6	$^\circ C/W$
		TOP3 Insulated	0.7	
		D ² PAK/TO-220AB	1.0	
		TO-220AB Insulated	1.9	

ORDERING INFORMATION



PACKAGE MECHANICAL DATA

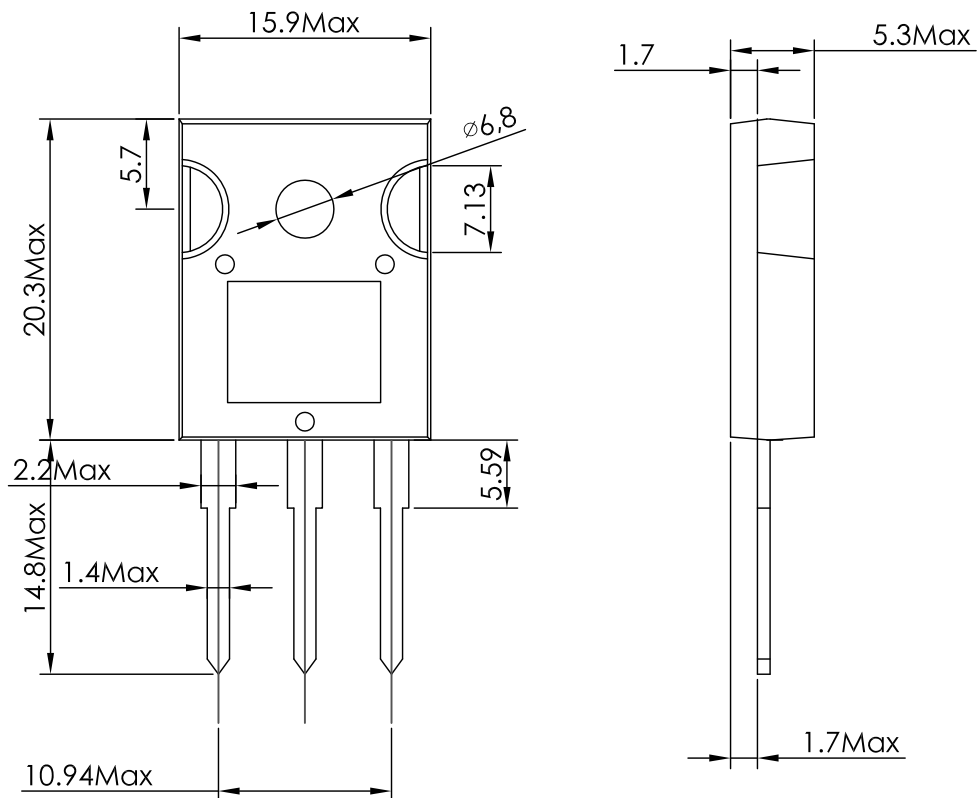
TOP3



DIMENSIONS (mm)

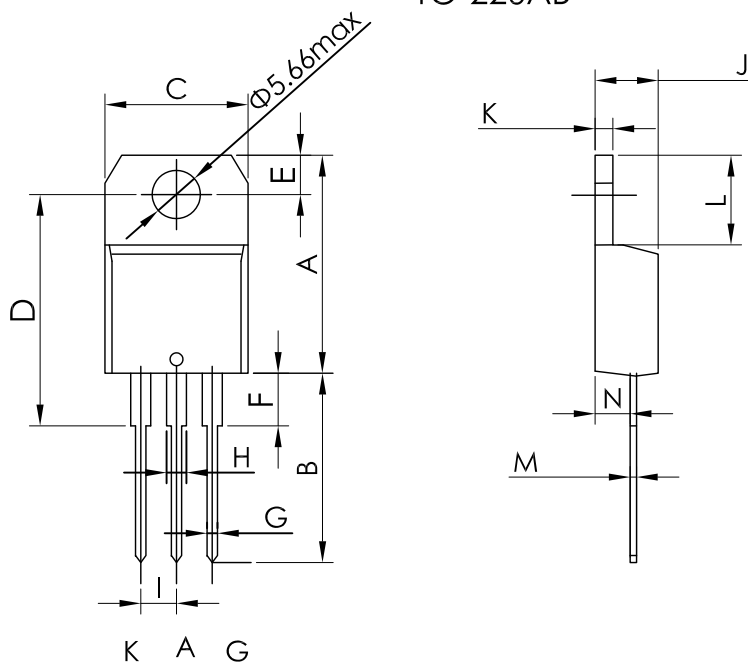
	A	B	C	D	E	F	G	H	I	J	K	L	M	N
MAX	4.6	1.55	15.6	0.7	2.9	16.5	21.1	15.5	5.65	3.65	4.17	1.40		
TYP														4.60
MIN	4.4	1.45	14.35	0.5	2.7	15.8	20.4	15.1	5.4	3.4	4.08	1.20		

TO-247



PACKAGE MECHANICAL DATA

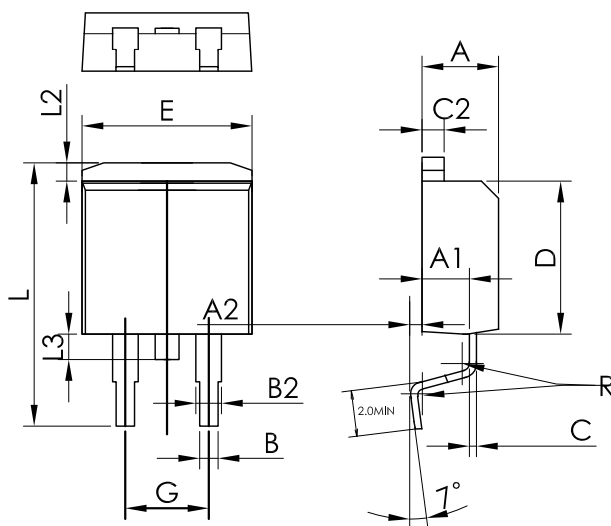
TO-220AB



DIMENSIONS (mm)

	A	B	C	D	E	F	G	H	I	J	K	L	M	N
MAX	15.9	14.0	10.4	16.8	2.95		0.88	1.70	2.70	4.60	1.32	6.60	0.70	2.72
TYP				16.4		3.75								
MIN	15.2	13.0	10.0	15.8	2.65		0.61	1.14	2.40	4.40	1.23	6.20	0.49	2.40

D²PAK



DIMENSIONS (mm)

	A	A1	A2	B	B2	C	C2	D	E	G	L	L2	L3	R
MIN	4.30	2.49	0.03	0.70	1.25	0.45	1.21	8.95	10.0	4.88	15.0	1.27	1.40	
TYP					1.40									0.40
MAX	4.60	2.69	0.23	0.93		0.60	1.36	9.35	10.28	5.28	15.85	1.40	1.75	

FIG.1: Maximum average power dissipation versus average on-state current

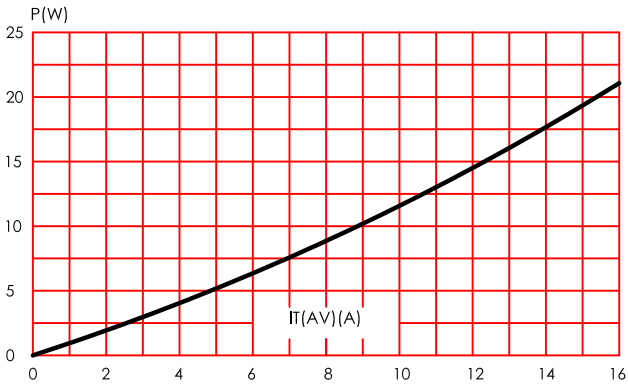


FIG.2: RMS on-state current versus case temperature.

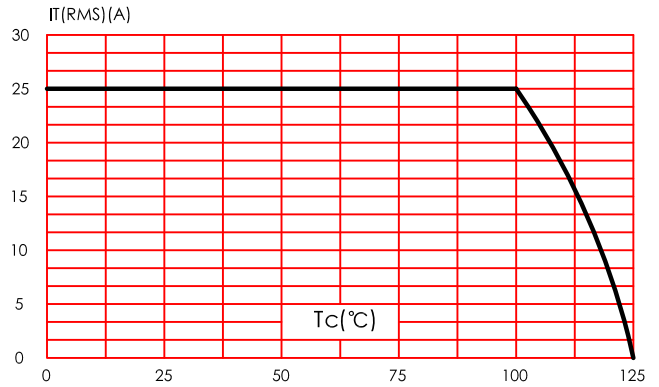


FIG.3: Relative variation of gate trigger current, holding current and latching current versus junction temperature.

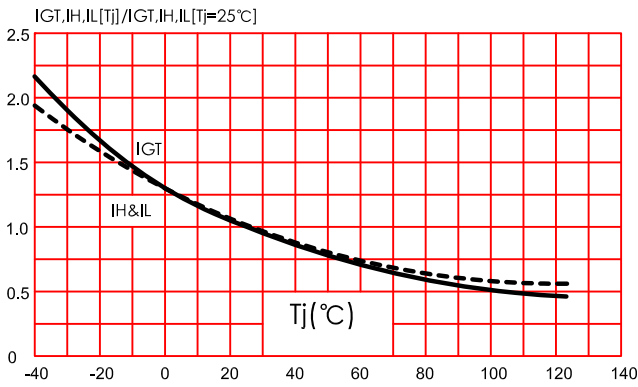


FIG.4: Surge peak on-state current versus number of cycles.

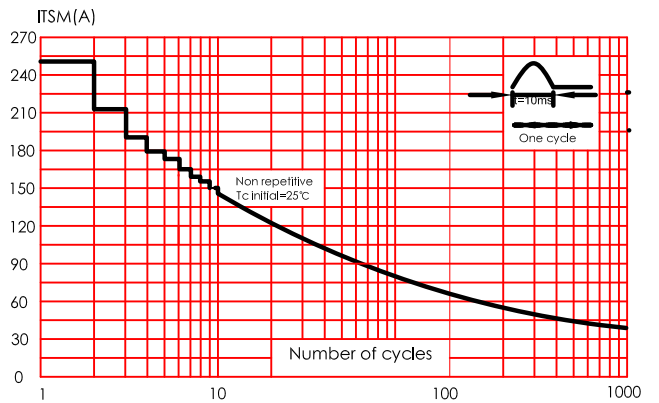


FIG.5: Non-repetitive surge peak on-state current for a sinusoidal pulse with width $t_p < 10$ ms, and corresponding value of I^2t

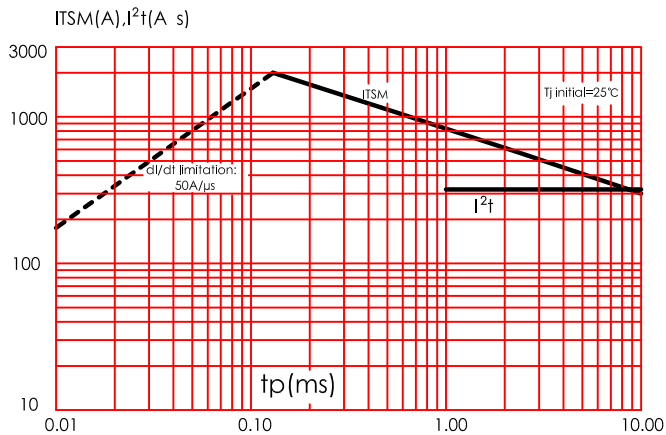


FIG.6: On-state characteristics (maximum values).

