

PLEASE CHECK WWW.MOLEX.COM FOR LATEST PART INFORMATION

Part Number: [0504517125](#)
Status: **Active**
Description: Circuit Breaker Terminal for 1/0 AWG, Closed Uninsulated Brazed Barrel, Stud Size 5/16" (M8), Oxygen-Free Copper, Length 46.50mm (1.831")

Documents:

[Drawing \(PDF\)](#) [RoHS Certificate of Compliance \(PDF\)](#)
[Product Specification PS-50449-002 \(PDF\)](#)

Agency Certification

UL E134962

General

Product Family Ring and Spade Terminals
 Series [50451](#)
 Crimp Quality Equipment Yes
 Mil-Spec N/A
 Product Name CB (Circuit Breaker)
 Type Rectangular

Physical

Barrel Type Closed - Brazed
 Insulation None
 Material - Plating Mating Tin
 Packaging Type Bag
 Plating min: Mating (µin) 40
 Plating min: Mating (µm) 1
 Plating min: Termination (µin) 40
 Plating min: Termination (µm) 1
 Stud Size 5/16" (M8)
 Termination Interface: Style Crimp or Compression
 Wire Size AWG 1
 Wire Size mm² 42.42 - 60.57

Material Info

Reference - Drawing Numbers

Product Specification PS-50449-002
 Sales Drawing SD-50451-7*25



Series

image - Reference only

EU RoHS

ELV and RoHS Compliant
REACH SVHC
 Not Reviewed
Halogen-Free Status
Not Reviewed

China RoHS



Need more information on product environmental compliance?

Email productcompliance@molex.com
 For a multiple part number RoHS Certificate of Compliance, [click here](#)

Please visit the [Contact Us](#) section for any non-product compliance questions.

Search Parts in this Series

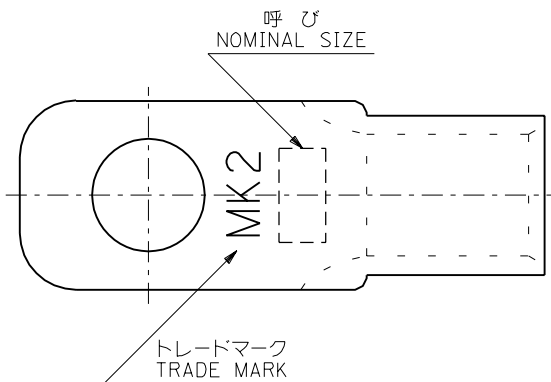
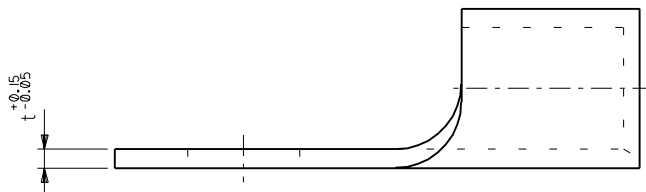
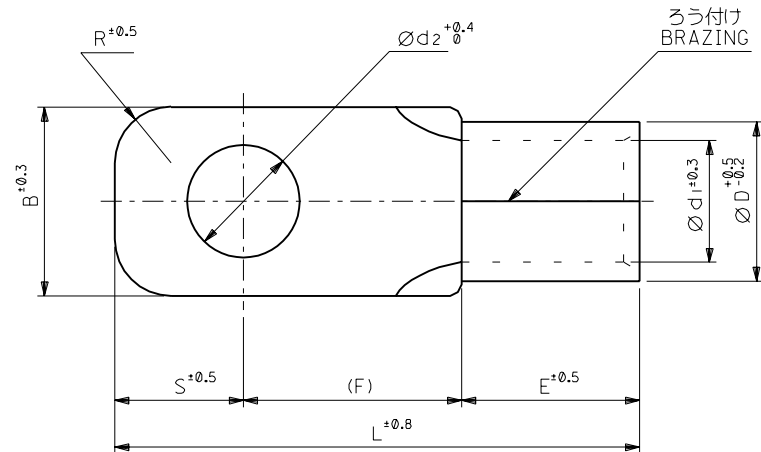
[50451Series](#)

Application Tooling | [FAQ](#)

Tooling specifications and manuals are found by selecting the products below. Crimp Height Specifications are then contained in the Application Tooling Specification document.

Japan

Description	Product #
Tool Kit For 57343-9012	0573439001
Battery Type Hand Crimper For JIS Terminal	0573439004



注記 NOTES

1. 材質 MATERIAL

端子：無酸素銅、スズメッキ

TERMINAL: OXYGEN FREE HIGH CONDUCTIVITY COPPER, TIN PLATING

ろう付け部：りん銅ろう

PART OF BRAZING: COPPER PHOSPHORUS BRAZING FILLER METALS

2. 適用電線 APPLICABLE WIRE RANGE

単線 SOLID WIRE	撚線 STRANDED WIRE
Ø7.34-8.26 mm	42.42-60.57 mm ²

2	10.5	49.5	11.0	2.7	20	18.5	11.4	15.5	16.0	CB60-10S	50451-7325
	8.4	46.5	8.0	4.6						CB60-8S	50451-7225
	6.4	49.5	11.0	2.7						CB60-8	50451-7125
t	d2	L	S	R	(F)	E	d1	D	B	呼 NOMINAL SIZE	呼 ENG. NO.

角度 ANGLE		30°	材料 MATERIAL		注記参照 SEE NOTES		molex MOLEX-JAPAN CO.,LTD. 日本モレックス株式会社	
30°以上 OVER	±0.5		仕上げ FINISH		注記参照 SEE NOTES		REVISE ONLY ON CAD SYSTEM	
10°以上 30°未満 OVER UNDER	±0.25		適用電線範囲 WIRE RANGE		注記参照 SEE NOTES		TITLE 名称 RING TERMINAL (FOR BREAKER) (銅線用裸圧着端子)	
10°未満 UNDER	±0.2		被覆外径 INS. RANGE		—		NON-INSULATED CRIMP-STYLE TERMINAL FOR COPPER CONDUCTORS)	
一般公差 GENERAL TOLERANCES		記号 LTR	変更内容 REVISION RECORD	DR. CHK.	日付 DATE	尺度 SCALE	DWG. NO. SD-50451-7*25	
		0	新規作成 (JC90124)		98/10/02	—	REV 0	
					98/10/02			
					M.FUKUSHIMA			