



Series B-2T, B-2

25-42.5 Amp • SCR/DIODE Modules

- **Eight Standard Circuits**
- **For AC or DC Variable Voltage Output Up To 15KW**

Modules come in eight standard circuits and are designed to control AC or DC variable voltage output up to 15KW. The package comes with standard .250 quick-connect terminals. All models have 2500 Vrms isolation and are UL recognized (file no. E72445). Optional isolation barriers are available.

Manufactured in Crydom's ISO 9001 Certified facility for optimum product performance and reliability.

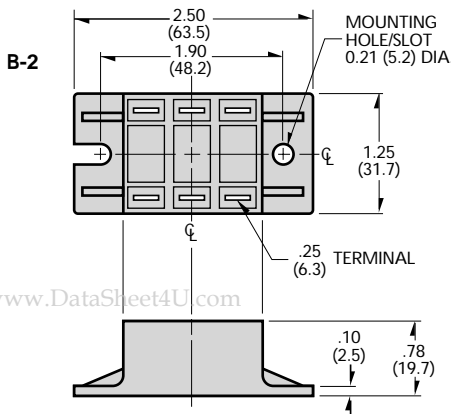
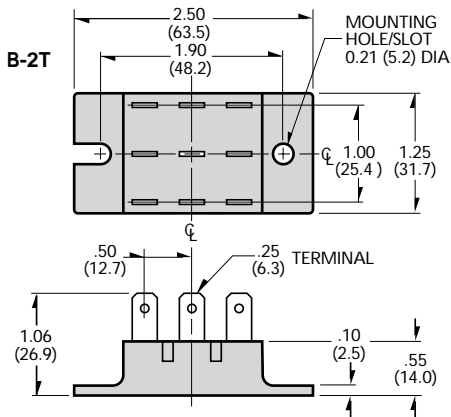
PART NUMBER IDENTIFICATION

Series Type	Current	Circuit Type	AC Line Voltage	Options	Case Style
B-Case style (Ceramic Base)	5 - 25 Amps 6 - 42.5 Amps	1 - 8 (see schematic diagrams)	1 - 120 Vac 2 - 240 Vac 3 - 280 Vac 4 - 480 Vac	F - Free Wheeling Diode (Circuits 1 & 2 Only) SE - External Suppressor (-2T Only, Circuits 1-6 Only)	-2T (Standard) -2 With Isolation Barriers

Example: B512FSE-2T

MECHANICAL DIMENSIONS

All dimensions are in inches (millimeters)



ELECTRICAL SPECIFICATIONS		MODEL NO.	B5	B6
SYMBOL	SPECIFICATION		RATINGS	
I_D	Maximum DC Output Current ($T_c = 85^\circ\text{C}$)		25A	42.5A
V_F	Maximum Voltage Drop @ Amps Peak		1.65V @ 25A	1.6V @ 42.5A
T_J	Operating Junction Temperature Range		-40°C to +125°C	
di/dt	Critical Rate of Rise of On-State Current @ $T_J=125^\circ\text{C}$		100A/ μs	100A/ μs
dv/dt	Critical Rate of Rise of Off-State Voltage [V/ μs]		500V/ μs	500V/ μs
V_{RMS}	AC Line Input Voltage (Repetitive Peak Reverse Voltage)		120 (400 V_{RRM}) 240 (600 V_{RRM}) 280 (800 V_{RRM}) 480 (1200 V_{RRM})	
I_{TSM}	Maximum Non-Repetitive Surge Current ($1/2$ Cycle, 60Hz)		250A	600A
I^2T	Maximum I^2T for Fusing ($t=8.3\text{ms}$) [A^2sec]		260	1500
I_{GT}	Maximum Required Gate Current to Trigger @ 25°C		60mA	80mA
V_{GT}	Maximum Required Gate Voltage to Trigger @ 25°C		2.5V	3.0V
$P_{G(AV)}$	Average Gate Power		0.5W	0.5W
V_{GM}	Maximum Peak Gate Voltage (Reverse)		5.0V	5.0V
$R_{\theta JC}$	Maximum Thermal Resistance Junction to Ceramic Base per Chip		0.9°C/W	0.7°C/W
V_{ISOL}	Isolation Voltage		2500 V_{RMS}	2500 V_{RMS}

MECHANICAL SPECIFICATIONS

Weight: (typical)

1.5 oz. (42.5g)

© 2001 CRYDOM CORP Specifications subject to change without notice.

For recommended applications and more information contact:

USA: Sales Support (877) 502-5500 Tech Support (877) 702-7700 FAX (619) 710-8540
Crydom Corp, 2320 Paseo de las Americas, Ste. 201, San Diego, CA 92154

Email: sales@crydom.com WEB SITE: http://www.crydom.com

UK: +44 (0)1202 365070 • FAX +44 (0)1202 365090 Crydom International Ltd., 7 Cobham Road, Ferndown Industrial Estate, Ferndown, Dorset BH21 7PE, Email: intsales@crydom.com.

GERMANY: +49 (0)180 3000 506



Series B-2T, B-2

25-42.5 Amp • SCR/DIODE Modules

- Eight Standard Circuits
- For AC or DC Variable Voltage Output Up To 15KW

CRYDOM

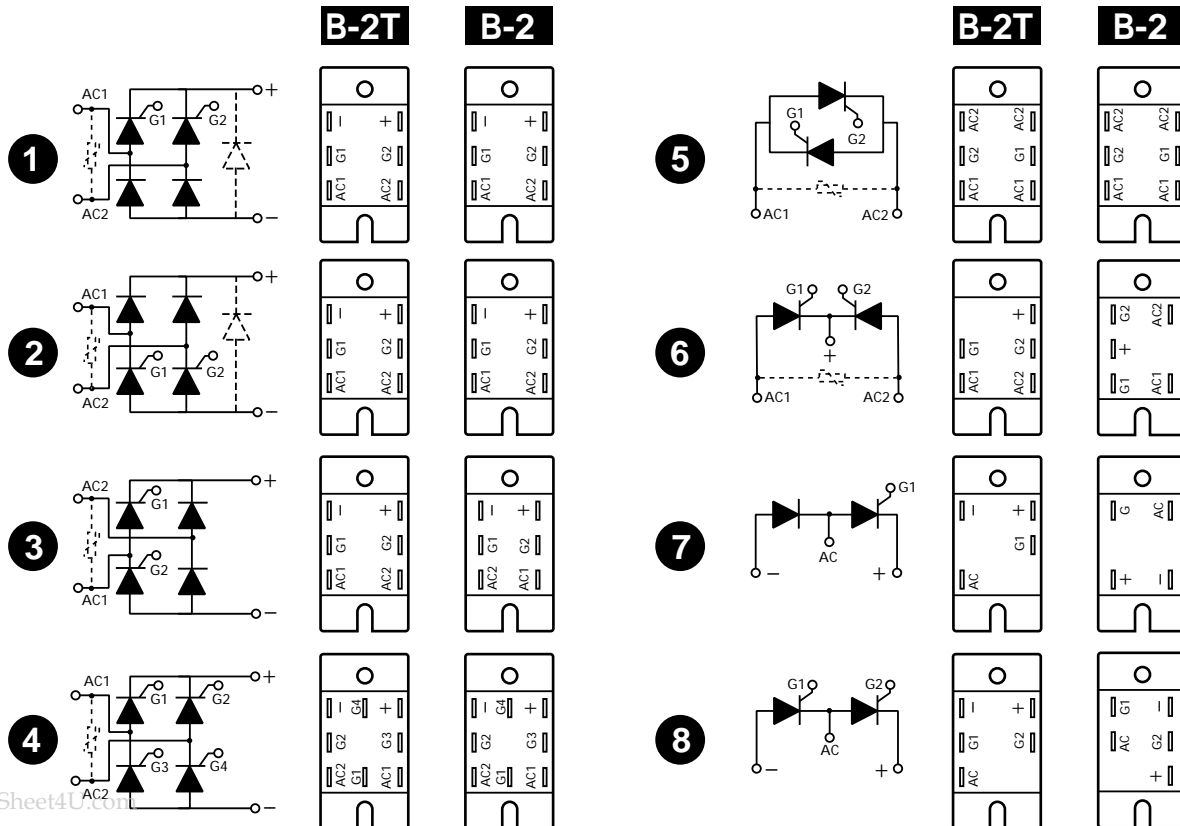
Control over power

PART NUMBER IDENTIFICATION

Series Type	Current	Circuit Type	AC Line Voltage	Options	Case Style
B-Case style (Ceramic Base)	5 - 25 Amps 6 - 42.5 Amps	1 - 8 (see schematic diagrams)	1 - 120 Vac 2 - 240 Vac 3 - 280 Vac 4 - 480 Vac	F - Free Wheeling Diode (Circuits 1 & 2 Only) SE - External Suppressor (-2T Only, Circuits 1-6 Only)	-2T (Standard) -2 With Isolation Barriers

Example: B512FSE-2T

SERIES B-2T, B-2 CIRCUITS



© 2001 CRYDOM CORP Specifications subject to change without notice.

APPROVALS

UL E72445

FastFax Document No. 227
SERIES B2T.
Rev. 011602
PAGE 2 OF 2

For recommended applications and more information contact:

USA: Sales Support (877) 502-5500 Tech Support (877) 702-7700 FAX (619) 710-8540

Crydom Corp, 2320 Paseo de las Americas, Ste. 201, San Diego, CA 92154

Email: sales@crydom.com WEB SITE: <http://www.crydom.com>

UK: +44 (0)1202 365070 • FAX +44 (0)1202 365090 Crydom International Ltd., 7 Cobham

Road, Ferndown Industrial Estate, Ferndown, Dorset BH21 7PE, Email: intsales@crydom.com.

GERMANY: +49 (0)180 3000 506



www.DataSheet4U.com