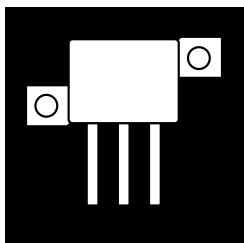


OM6021SC OM6023SC  
OM6022SC OM6024SC

## POWER MOSFETS IN HERMETIC PACKAGE



**100V Thru 500V, Up To 35 Amp, N-Channel Power MOSFETs In JEDEC TO-259AA Package**

### FEATURES

- Isolated Side-Tab Hermetic Metal Package
- Fast Switching, Low Drive Current
- Ease of Paralleling For Added Power
- Low  $R_{DS(on)}$
- Available Screened To MIL-S-19500, TX, TXV And S Levels

### DESCRIPTION

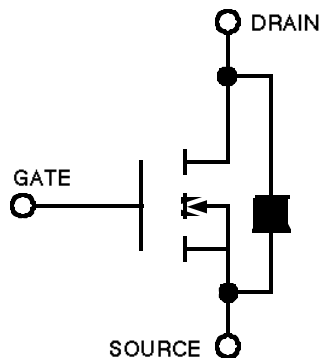
This series of hermetically packaged products feature the latest advanced MOSFET and packaging technology. They are ideally suited for Military requirements where small size, high performance and high reliability are required, and in applications such as switching power supplies, motor controls, inverters, choppers, audio amplifiers and high energy pulse circuits.

### MAXIMUM RATINGS

PART NUMBER	$V_{DS}$	$R_{DS(ON)}$	$I_D$
OM6021SC	100V	.065W	35A
OM6022SC	200V	.095W	30A
OM6023SC	400V	.3W	15A
OM6024SC	500V	.4W	13A

3.1

### SCHEMATIC



### PIN CONNECTION

