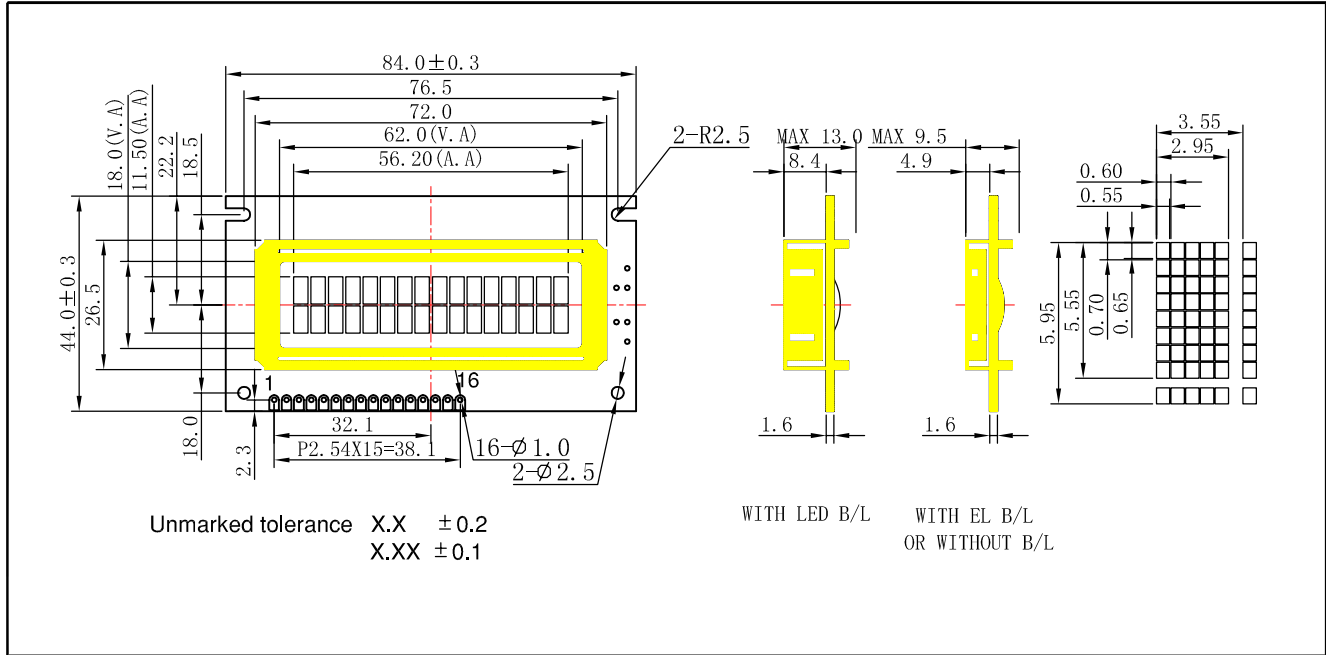
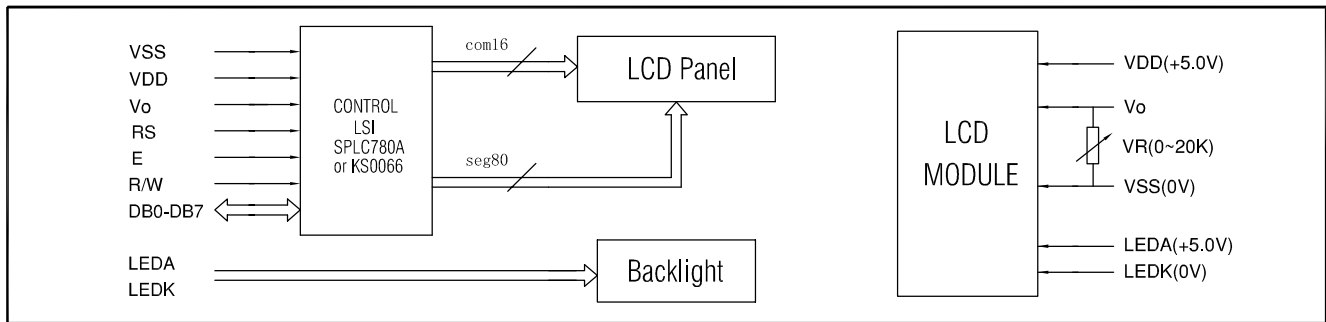


OUTLINE DIMENSIONS



BLOCK DIAGRAM & POWER SUPPLY



MECHANICAL SPECIFICATIONS & FEATURE

Item	Normal Dimensions(mm)	FEATURE	
Module Size (W*H*T)	84.0x44.0x9.5/13.0	LCD Type	STN、TN、HTN、FSTN
View Area (W*H)	62.0x18.0	LCD Colour	STN:Yellow-Green、Gray Other:Gray
Character Pitch(W*H)	3.55x5.95	View Angle	6 O'clock、12 O'clock
Character Size(W*H)	2.95x5.55	Display Type	Positive Type、Negative Type
Character Font	5x8	Rear polarizer	Transmissive、Reflective、Transflective
Dot Pitch (W*H)	0.60x0.70	Operating Temperature	0°C ~ 50°C、-20°C ~ 70°C
Dot Size (W*H)	0.55x0.65	Backlight	LED:Yellow EL:Green、Blue-Green、Blue Without

ELECTRICAL CHARACTERISTICS

Item	Symbol	Test Condition	Min.	Typ.	Max.	Unit
Operating Voltage	V _{dd}	T _a =25° C	---	5.0	---	V
Operating Voltage for LCD	V _{lcd}	T _a =25° C	---	4.5	---	V
Supply Current	I _{dd}	T _a =25° C, V _{dd} =5.0V	---	2.0	3.0	mA
Supply Current for Backlight	I _f	---	---	---	---	mA

INTERFACE PIN CONNECTIONS

Pin No	Symbol	Level	Description
1-8	DB7-DB0	H/L	Data Bus lines
9	E	H/H—L	Enable signal for LCM
10	R/W	H/L	Read/write selection (H:Read,L:Write)
11	RS	H/L	Registr selection (H:Data register, L:Instruction register)
12	V _o	--	Power supply for LCD drive
13	V _{DD}	--	Power supply for Logic(+5.0V)
14	V _{SS}	--	Ground for Logic
15	NC	--	No Connection
16	NC	--	No Connection

REMARK

Operating voltage option: 5.0V or 3.0V
 Negative type LCD colour: Blue
 CGROM font option: English、Japanese、Russian、etc