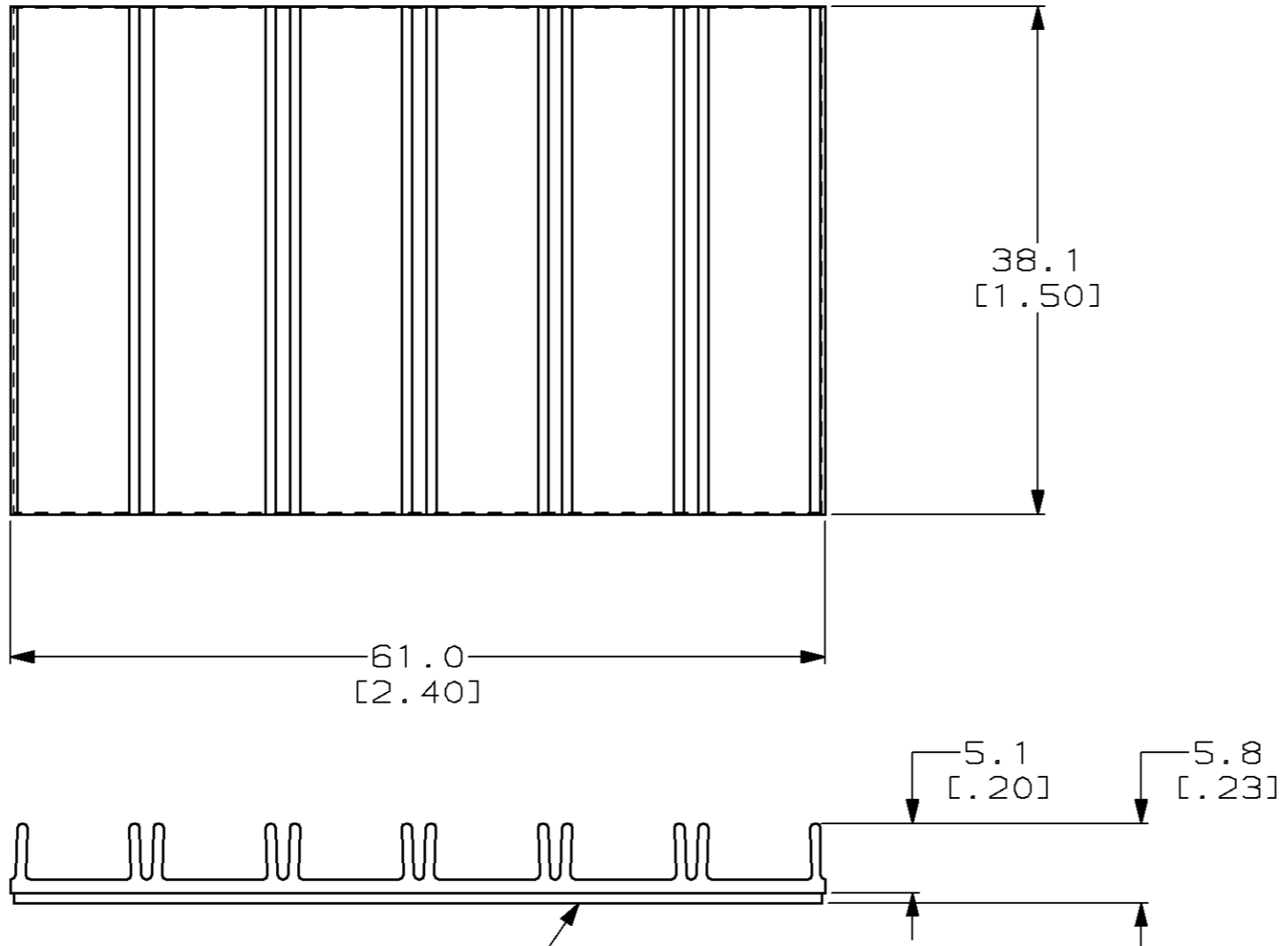


THIS DRAWING IS UNPUBLISHED. RELEASED FOR PUBLICATION, 19 .
 © COPYRIGHT 19 BY AMP INCORPORATED. ALL INTERNATIONAL RIGHTS RESERVED.

LOC	DIST	P	F	ZONE	LTR	DESCRIPTION	DATE	APPD
EW	16				0	REL PER NPR 94-18	3-8-94	RS/MF



TWO (2) SIDE ADHESIVE FOAM TAPE WITH REMOVABLE PAPER LINER

559066-1
PART NO

DO NOT SCALE PRINT, UNLESS SPECIFIED DIMENSIONS IN mm [INCHES] TOLERANCES ON: 2 PLC DEC ± 0.2 [.01] 3 PLC DEC ± 0.51 [.020] ANGLES ± -	DR 3-8-94 R R SCHAFER	AMP AMP Incorporated Harrisburg, PA 17105-3608	
	CHK 3-8-94 M FASNACHT		
	MATERIAL THERMOPLASTIC	APPD 3-8-94 F SHAY APPD 3-8-94 J EBERLE PRODUCT SPEC -	NAME SPLICE HOLDER ASSEMBLY 6/SPLICES, CORELINK
	FINISH -	APPLICATION SPEC - WEIGHT -	SIZE B CAGE CODE 00779 DRAWING NO C-559066 SCALE 2:1 SHEET 1 OF 1

THIS DRAWING IS A CONTROLLED DOCUMENT FOR AMP INCORPORATED. IT IS SUBJECT TO CHANGE AND THE CONTROLLING ENGINEERING ORGANIZATION SHOULD BE CONTACTED FOR THE LATEST REVISION.