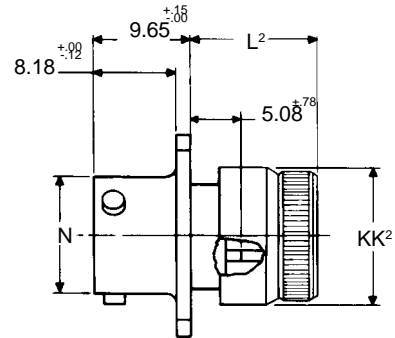
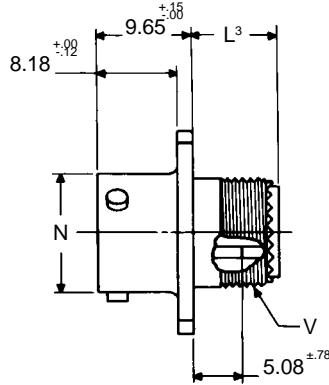
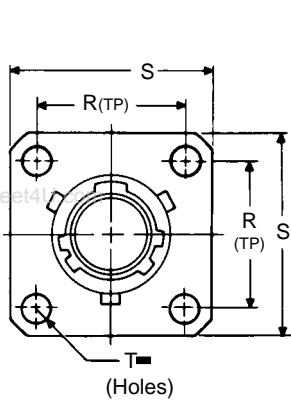


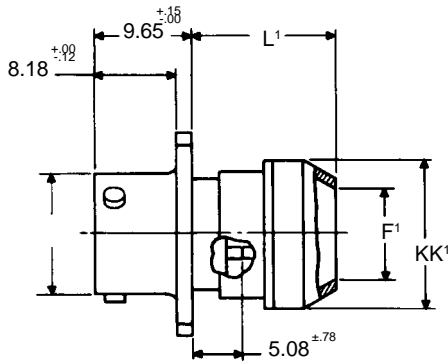
JT00R BS-C2022 MS27472

Wall mounting receptacle

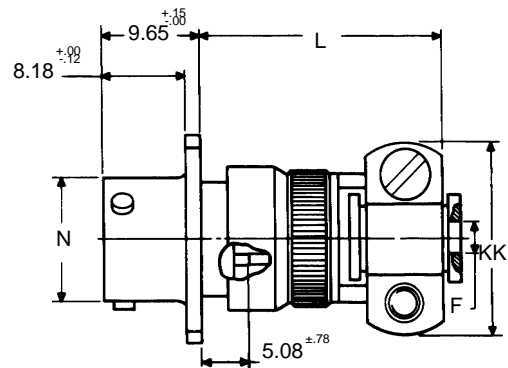


- * JT00RT-XX-XXX
- ** JTS00RT-XX-XXX
- *** JTN00RT-XX-XXX
- * C2022
- * MS27472T

- * JT00RE-XX-XXX
- * MS27472E
- ** JTS00RE-XX-XXX
- ** MS27479E
- *** JTN00RE-XX-XXX

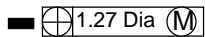


- * JT00RP-XX-XXX
- ** JTS00RP-XX-XXX
- *** JTN00RP-XX-XXX
- * MS27472P
- * MS27479P



- * JT00RE-XX-XXX (SR)
- ** JTS00RE-XX-XXX (SR)
- *** JTN00RE-XX-XXX (SR)

- * To complete order number, see "How to order" pages
- ** High temperature version.
- *** Clear iridite finish (gold colour), N₂O₄ resistant

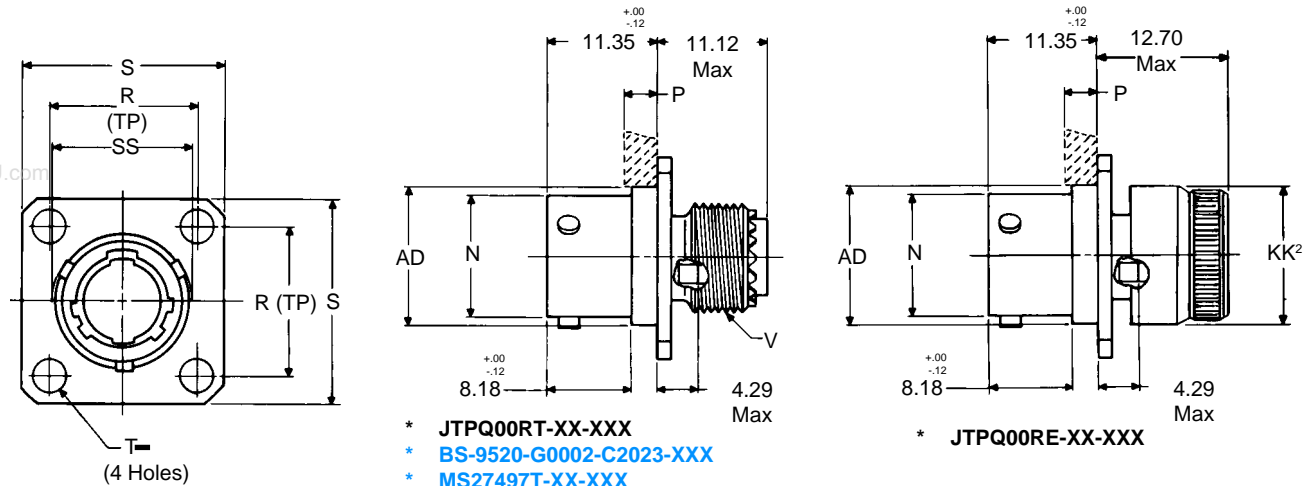


Shell Size	KK Max	KK ¹ Dia Max	KK ² Dia Max	F Dia +.25 - .63	F ¹ Dia	L Max	L ¹ Max	L ² Max	L ³ Max	R (TP)	S ±.41	T ±.13	N +.02 - .13	V Thread UNEF Class 2A
8	20.62	15.89	14.68	3.18	11.28	27.79	15.47	13.89	12.70	15.09	20.62	3.05	12.01	.4375-28
10	22.23	19.05	17.86	4.78	14.17	27.79	15.47	13.89	12.70	18.26	23.83	3.05	14.99	.5625-24
12	25.40	22.23	21.03	7.92	17.35	27.79	15.47	13.89	12.70	20.62	26.89	3.05	19.05	.6875-24
14	28.58	25.40	24.81	9.53	20.52	34.14	15.47	13.89	12.70	23.01	28.58	3.05	22.23	.8125-20
16	30.18	28.58	27.38	12.70	23.09	34.14	15.47	13.89	12.70	24.61	30.96	3.05	25.40	.9375-20
18	36.53	31.75	30.56	15.88	26.26	34.14	15.47	13.89	12.70	26.97	33.32	3.05	28.58	1.0625-18
20	36.53	34.93	33.73	15.88	29.44	34.14	15.47	13.89	12.70	29.36	36.53	3.05	31.75	1.1875-18
22	41.28	38.60	36.91	19.05	32.61	37.31	15.47	13.89	12.70	31.75	39.67	3.05	34.73	1.3125-18
24	43.66	41.28	40.08	20.32	35.79	37.31	17.48	13.89	12.70	34.93	42.88	3.05	38.10	1.4375-18

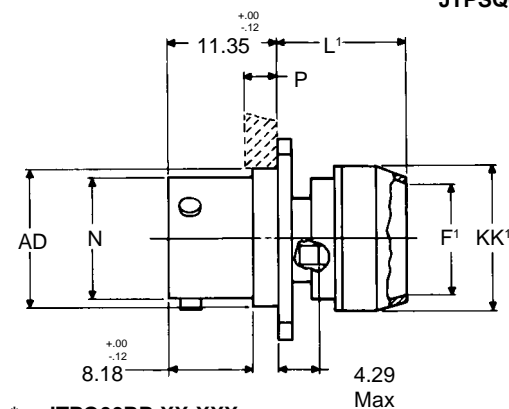
All dimensions for reference only

JTPQ00R BS-C2023 MS27497 HE309 03T PAN 6432-1B

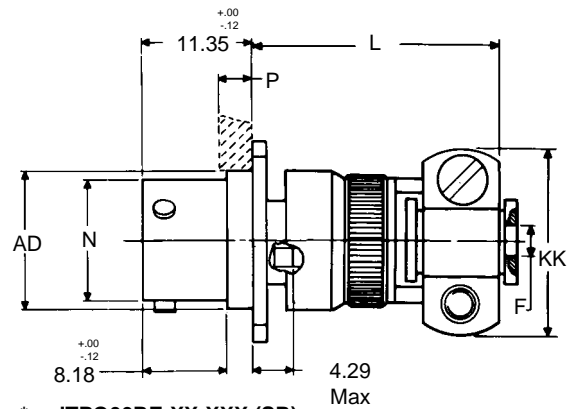
Wall mounting receptacle (back panel mounting)



- * JTPQ00RT-XX-XXX
- * BS-9520-G0002-C2023-XXX
- * MS27497T-XX-XXX
- * HE309 03T-XXXX
- * PAN6432-1B-XX-XXX
- ** JTPSQ00RT-XX-XXX



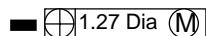
- * JTPQ00RP-XX-XXX
- * MS27597P



- * JTPQ00RE-XX-XXX (SR)

* To complete order number see "How to order" pages

** High temperature version, to complete order number see "How to order" pages

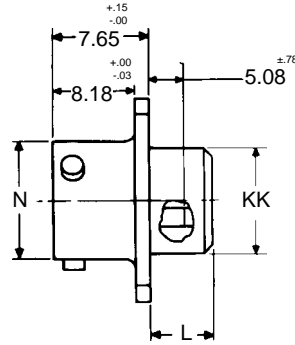
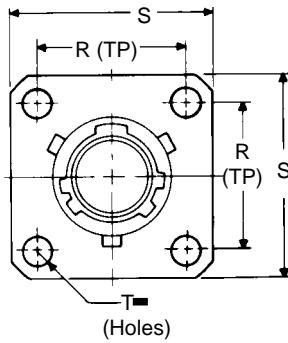


Shell Size	F Dia +.25 -.64	F¹ Dia ±.25	L Max	L¹ Max	N Dia +.03 -.13	P Max Panel Thickness	R (TP)	S ±.41	T Dia ±.13	V Thread UNEF Class 2a (Plated)	AD Dia ±.13	KK Max	KK¹ Dia Max	KK² Dia Max	SS Dia +.00 -.41
8	3.18	11.28	28.96	11.89	12.01	3.61	15.09	20.62	3.05	.4375-28	13.11	19.84	15.88	14.68	14.30
10	4.78	14.17	28.96	11.89	14.98	3.61	18.26	23.83	3.05	.5625-24	16.08	21.44	19.05	17.86	17.27
12	7.92	17.35	28.96	11.89	19.05	3.61	20.62	26.19	3.05	.6875-24	20.37	24.61	22.23	21.03	21.82
14	9.53	20.52	34.93	11.89	22.23	3.61	23.01	28.58	3.05	.8125-20	23.55	27.79	25.40	24.21	24.99
16	12.70	23.09	34.93	11.89	25.40	3.61	24.61	30.96	3.05	.9375-20	26.72	29.31	28.58	27.38	28.14
18	15.88	26.26	34.93	11.89	28.58	3.61	26.97	33.32	3.05	1.0625-18	29.90	35.71	31.75	30.56	31.32
20	15.88	29.44	34.93	11.89	31.75	3.61	29.36	36.53	3.05	1.1875-18	33.07	35.71	34.93	33.73	34.49
22	19.05	32.61	38.51	11.89	34.93	3.61	31.75	39.67	3.05	1.3125-18	36.25	40.49	38.10	36.91	37.67
24	20.32	35.79	38.10	13.72	38.10	3.61	34.93	42.88	3.73	1.4375-18	39.42	42.88	41.28	40.08	40.89

All dimensions for reference only

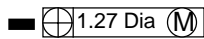
JT02R BS-C2251 MS27499

Box mounting receptacle



- * JT02RE-...
- * BS-9520-G0002-C2251-...
- * MS27499E-...
- ** JTS02RE-...
- *** JTN02RE-...

- * To complete order number, see "How to order" pages
- ** High temperature version
- *** Clear iridite finish (gold colour), N₂O₄ resistant



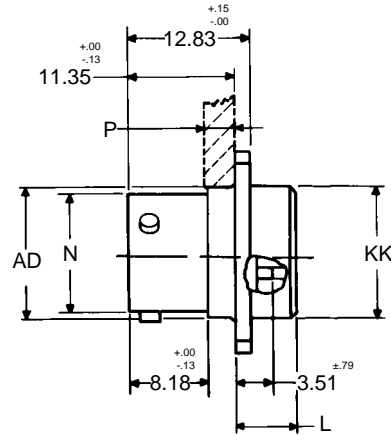
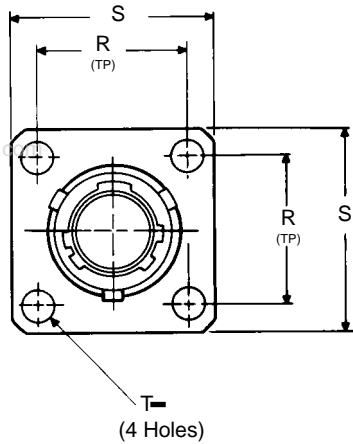
Shell Size	L Max	KK Max	S ±.41	R (TP)	T ±.13	N +.03 -.13
8	7.26	11.13	20.62	15.09	3.05	12.01
10	7.26	14.30	23.83	18.26	3.05	14.99
12	7.26	17.48	26.19	20.62	3.05	19.05
14	7.26	20.65	28.58	23.01	3.05	22.23
16	7.26	23.83	30.96	24.61	3.05	25.40
18	7.26	26.59	33.32	26.97	3.05	28.58
20	7.26	29.77	36.53	29.36	3.05	31.75
22	7.26	32.94	39.67	31.75	3.05	34.93
24	7.26	36.11	42.88	34.93	3.73	38.10

All dimensions for reference only

Note: For applications requiring an environmental seal, please refer to JT00R

JTP02R BS-C2253 MS27508E PAN 6433-1E

Box mounting receptacle (back panel mounting)



- * JTP02RE-XX-XXX
- * BS-9520-G0002-C2253-...
- * MS27508E-...
- * PAN 6433-1E-...
- ** JTPN02RE-XX-XX
- *** JTPS02RE-XX-XXX

- * To complete order number, see "How to order" pages
- ** High temperature version.
- *** Clear iridite finish (gold colour), N_2O_4 resistant

1.27 Dia (M)

Shell Size	N Dia $+0.03$ -0.13	R (TP)	S ± 0.41	L Max	AD Dia ± 0.13	T Dia ± 0.13	P Max Panel Thickness	KK Max
8	12.01	15.09	20.62	5.72	13.11	3.05	3.73	13.49
10	15.00	18.26	23.83	5.72	16.08	3.05	3.86	16.66
12	19.05	20.62	26.19	5.72	20.37	3.05	3.86	21.03
14	22.23	23.01	28.58	5.72	23.55	3.05	3.86	24.21
16	25.40	24.61	30.96	5.72	26.72	3.05	3.86	27.89
18	28.58	26.97	33.32	5.72	29.90	3.05	3.86	30.56
20	31.75	29.36	36.53	5.72	33.07	3.05	4.55	33.73
22	34.93	31.75	39.67	5.72	36.25	3.05	4.55	36.91
24	38.10	34.93	42.88	5.72	39.42	3.73	4.29	40.08

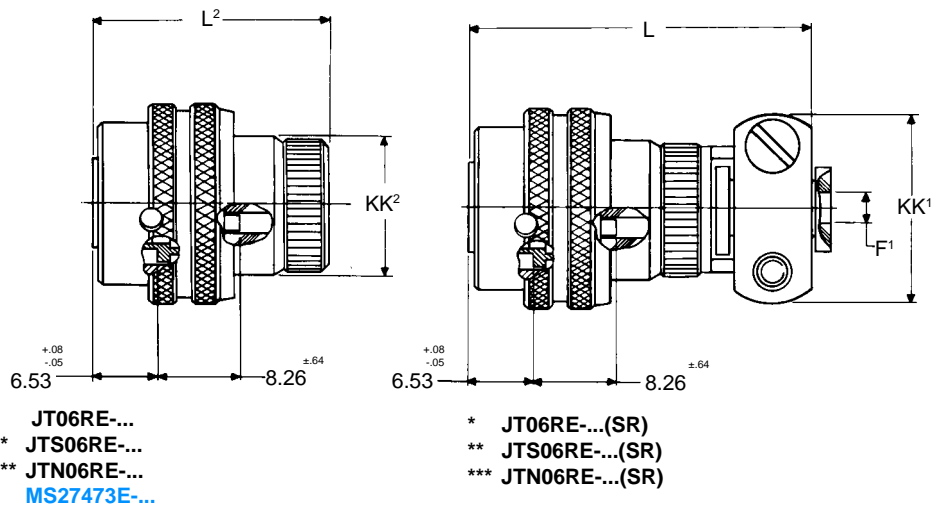
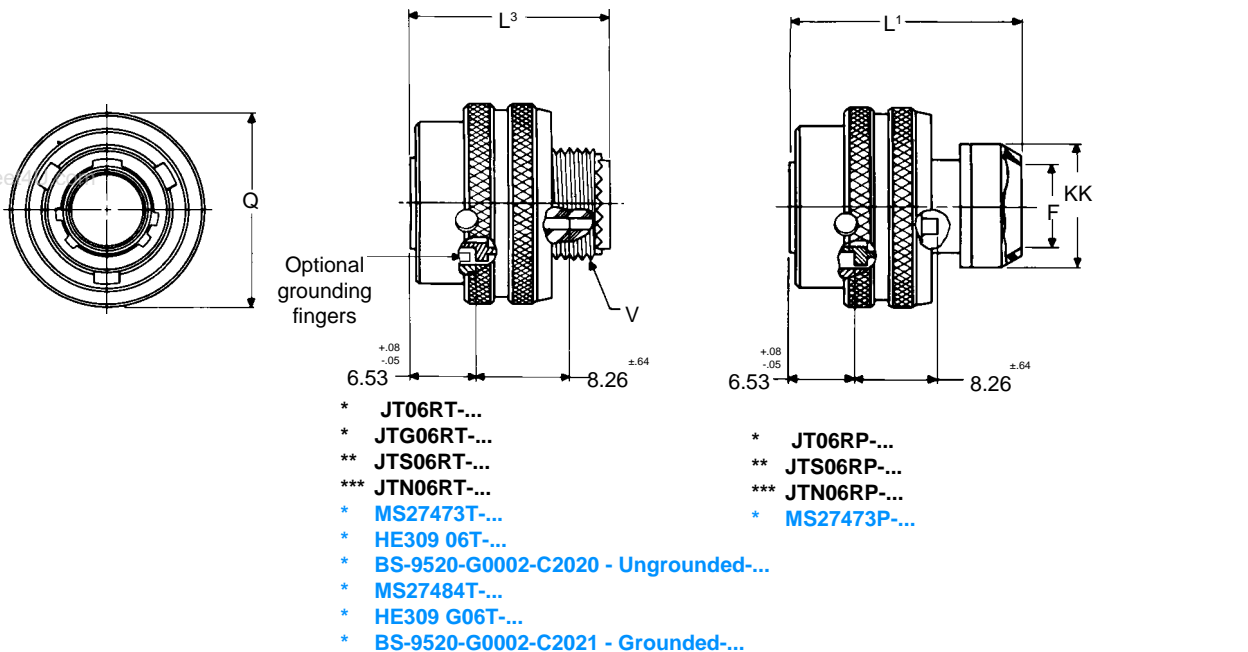
All dimensions for reference only

JT06R BS-C2020 MS27473 HE309 06T PAN 6433-IF

Ungrounded

JTG06R BS-C2021 MS27484 HE309 G06T PAN 6433-IFG

Grounded straight plug

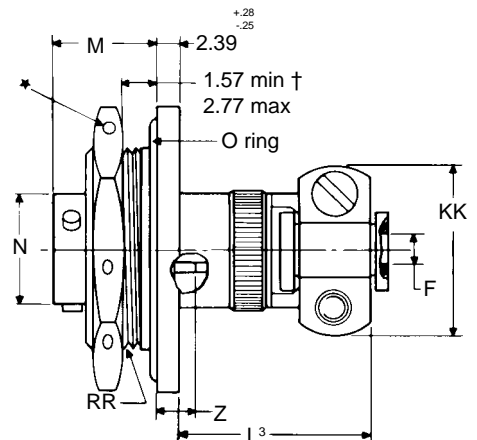
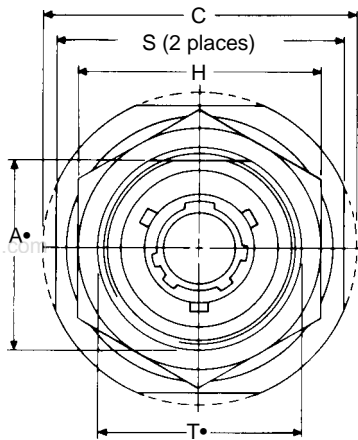


* To complete order number, see "How to order" pages
 ** High temperature version. To complete order number, see "How to order" pages
 *** Clear iridite finish (gold colour), N₂O₄ resistant. To complete order number, see "How to order" pages

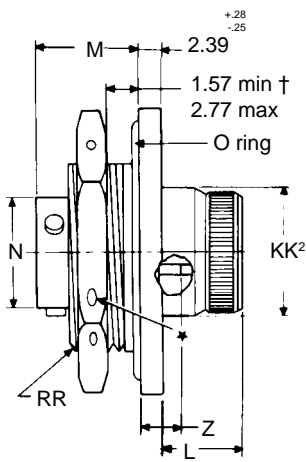
Shell Size	KK Dia Max	KK ¹ Max	KK ² Max	F Dia	F ¹ Dia +.25 - .64	L Max	L ¹ Max	L ² Max	L ³ Max	Q Dia Max	V Thread Modified	
											Class 2a	Modified Major Dia
8	15.88	20.62	14.68	11.28	3.18	39.67	25.40	23.83	22.63	18.64	.4375-28UNEF	.421- .417
10	19.05	22.23	17.86	14.17	4.78	39.67	25.40	23.83	22.63	21.44	.5625-24UNEF	.542- .538
12	22.23	25.40	21.03	17.35	7.92	39.67	25.40	23.83	22.63	25.81	.6875-24UNEF	.667- .663
14	25.40	28.58	24.21	20.52	9.53	46.02	25.40	23.83	22.63	28.98	.8125-20UNEF	.791- .787
16	28.58	30.18	27.38	23.09	12.70	46.02	25.40	23.83	22.63	32.13	.9375-20UNEF	.916- .912
18	31.75	36.53	30.56	26.26	15.88	46.02	25.40	23.83	22.63	35.33	1.0625-18UNEF	1.034 - 1.030
20	34.93	36.53	33.73	29.44	15.88	46.02	25.40	23.83	22.63	38.10	1.1875-18UNEF	1.158- 1.154
22	38.10	41.28	36.91	32.61	19.05	49.23	25.40	23.83	22.63	41.28	1.3125-18UNEF	1.283- 1.279
24	41.28	43.66	40.08	35.79	20.32	49.23	26.97	23.83	22.63	44.45	1.4375-18UNEF	1.408- 1.404

JT07R BS-C2024 MS27474 HE309-07T PAN 6433-1A

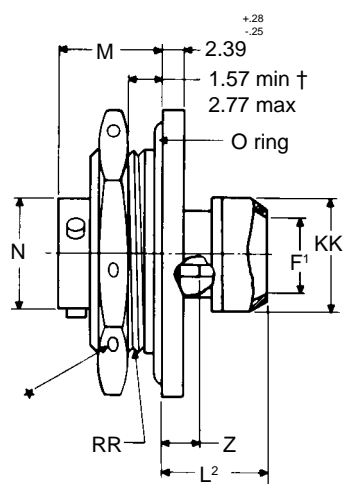
Jam nut receptacle



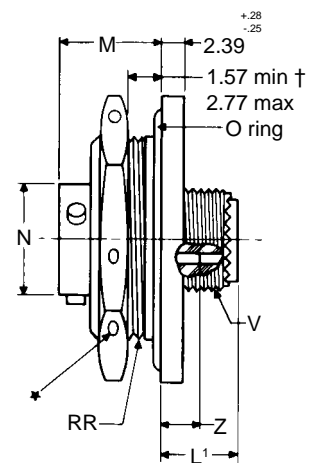
- * JT07RE-...(SR)
- ** JTS07RE-...(SR)
- *** JTN07RE-...(SR)



- * JT07RE-...
- * MS27474E-...
- ** JTS07RE-...
- *** JTN07RE-...



- * JT07RP-...
- * MS27474P-...
- ** JTS07RP-...
- *** JTN07RP-...



- * JT07RT-...
- * MS27474T-...
- ** JTS07RT-...
- *** JTN07RT-...
- *** BS-9522-G0002-C2024-...
- *** HE309-07T-...
- *** PAN6433-1A-...

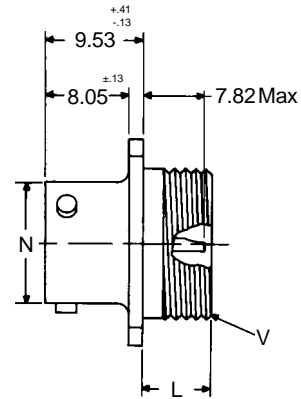
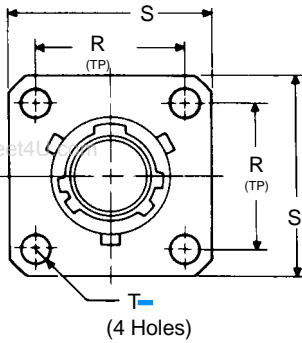
- ★ 1.50 dia min. 3 locking wire holes
- "D" shaped mounting hole dimensions
- * To complete order number see "How to order" pages
- ** High temperature version
- *** Clear iridite finish (gold colour), N₂O₄ resistant
- † Panel thickness

Shell Size	A• +.00 -.25	KK Max	KK¹ Dia Max	KK² Dia Max	L Max	L¹ Max	L² Max	L³ Max	F Dia +.25 -.64	F¹ Dia	M ±.13	H Hex +.43 -.41	S ±.41 ±.79	Z	RR Thread (Plated) Class 2a	V Thread UNEF Class 2a	C Max	T• +.25 -.00	N +.03 -.13
8	21.08	20.62	15.88	14.68	12.29	11.51	14.30	26.59	3.18	11.28	11.13	26.97	31.75	3.66	.8750-20UNEF	.4375-28	35.31	22.45	12.01
10	24.26	22.23	19.05	17.86	12.29	11.51	14.30	26.59	4.78	14.17	11.13	30.18	34.93	3.66	1.0000-20UNEF	.5625-24	38.48	25.58	14.99
12	27.53	25.40	22.23	21.03	12.29	11.51	14.30	26.59	7.92	17.35	11.13	33.32	38.10	3.66	1.1250-18UNEF	.6875-24	41.66	28.80	19.05
14	30.68	28.58	25.40	24.21	12.29	11.51	14.30	32.94	9.53	20.52	11.13	36.53	41.28	3.66	1.2500-18UNEF	.8125-20	44.83	31.98	22.23
16	33.86	30.18	28.58	27.38	12.29	11.51	14.30	32.94	12.70	23.09	11.13	39.67	45.24	3.66	1.3750-18UNEF	.9375-20	49.61	35.15	25.40
18	37.06	36.53	31.75	30.56	12.29	11.51	14.30	32.94	15.88	26.26	11.13	42.88	48.01	3.66	1.5000-18UNEF	1.0625-18	51.59	38.28	28.58
20	40.03	36.53	34.93	33.73	11.51	10.72	13.49	32.16	15.88	29.44	11.79	46.02	51.21	4.78	1.6250-18UNEF	1.1875-18	54.76	41.50	31.75
22	43.21	41.28	38.10	36.91	11.51	10.72	13.49	35.33	19.05	32.61	11.79	50.80	54.36	4.78	1.7500-18UNS	1.3125-18	57.91	44.68	34.93
24	46.38	43.66	41.28	40.08	9.53	10.72	13.47	35.33	20.32	35.79	11.79	53.98	57.53	4.78	1.8750-16UN	1.4375-18	61.09	47.85	38.10

All dimensions for reference only

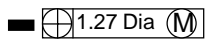
JT00 MS27475

Hermetic wall mounting receptacle



- * JT00H-...
- ** JT00Y-...
- ** MS27475Y..D...
- *** JTS00Y-XX-XXX
- ** MS27482Y..E...

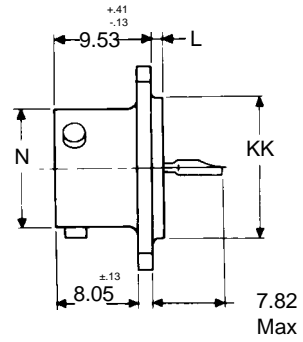
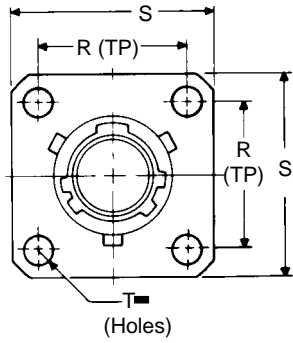
- * To complete order number, see "How to order" pages
- ** Interfacial water seal.
- *** High temperature version, interfacial water seal with stainless shell.



Shell Size	N +.03 -.13	S ±.41	R (TP)	T ±.13	V Thread Size Class 2a	L Max
8	12.01	20.62	15.09	3.05	.5625-24UNEF	5.94
10	14.99	23.83	18.26	3.05	.6875-24UNEF	5.94
12	19.05	26.19	20.62	3.05	.8125-20UNEF	5.94
14	22.23	28.58	23.01	3.05	.9375-20UNEF	5.94
16	25.40	30.96	24.61	3.05	1.0625-18UNEF	5.94
18	28.58	33.32	26.97	3.05	1.1875-18UNEF	5.94
20	31.75	36.53	29.35	3.05	1.3125-18UNEF	5.94
22	34.93	39.67	31.75	3.05	1.4375-18UNEF	5.94
24	38.10	42.88	34.93	3.73	1.5625-18UNEF	7.95

JT02 MS27476

Hermetic box mounting receptacle



- * JT02H-...
- ** JT02Y-...
- ** MS27476Y..D...
- *** JTS02Y-...
- *** MS27476Y..E...

- * To complete order number, see "How to order" pages
- ** Interfacial water seal
- *** High temperature version. interfacial water seal with stainless steel shell

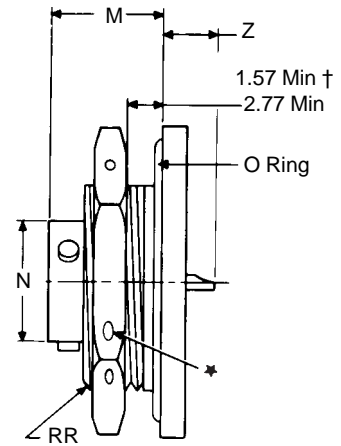
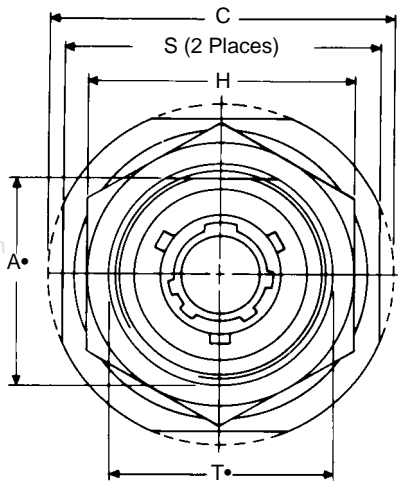
⊕ .13 Dia (M)

Shell Size	L +.15 -.38	KK +.03 -.13	S ±.41	R (TP)	T ±.13	N +.03 -.13
8	1.30	14.27	20.62	15.09	3.05	12.01
10	1.30	17.07	23.83	18.26	3.05	14.99
12	1.30	19.84	26.19	20.62	3.05	19.05
14	1.30	23.01	28.58	23.01	3.05	22.23
16	1.30	26.19	30.96	24.61	3.05	25.40
18	1.30	29.36	33.32	26.97	3.05	28.58
20	1.30	31.75	36.53	29.36	3.05	31.75
22	2.03	34.93	39.67	31.75	3.05	34.93
24	2.03	38.10	42.88	34.93	3.73	38.10

All dimensions for reference only

JT07 MS27477

Hermetic jam nut receptacle



- * JT07H-...
- *** JT07Y-...
- MS27477Y..D...
- **** JTS07Y-...
- MS27483Y..E...

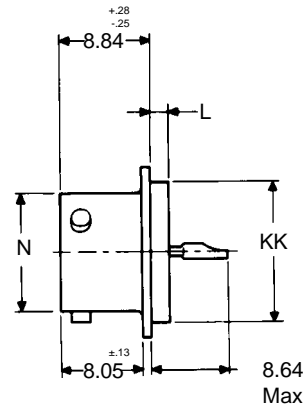
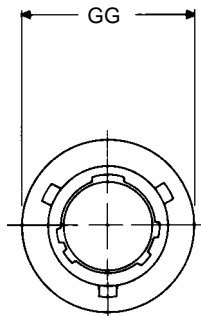
- * .15 dia. min .3 lockwire holes
- "D" shaped mounting hole dimensions
- * To complete order number, see "How to order" pages
- ** Interfacial seal water
- *** High temperature version, interfacial seal water with stainless steel shell
- † Panel thickness

Shell Size	M ±.13	Z Max	RR Thread Class 2a	N +.03 -.13	C Max	S ±.41	H +.43 -.41	T• +.25 -.00	A• +.00 -.25
8	11.13	6.20	.8750-20UNEF	12.01	35.31	31.75	26.97	22.45	21.08
10	11.13	6.20	1.0000-20UNEF	14.99	38.48	34.93	30.18	25.58	24.26
12	11.13	6.20	1.1250-18UNEF	19.05	41.66	38.10	33.32	28.80	27.53
14	11.13	6.20	1.2500-18UNEF	22.23	44.83	41.28	36.53	31.98	30.68
16	11.13	6.20	1.3750-18UNEF	25.40	49.61	45.24	39.67	35.15	33.86
18	11.13	6.20	1.5000-18UNEF	28.58	51.59	48.01	42.88	38.28	37.06
20	11.79	5.54	1.6250-18UNEF	31.75	54.76	51.21	46.02	41.50	40.03
22	11.79	5.54	1.7500-18UNS	34.93	57.91	54.36	50.80	44.68	43.21
24	11.79	5.54	1.8750-16UN	38.10	61.09	57.53	53.98	47.85	46.38

All dimensions for reference only

JTI MS27478

Hermetic solder mounting receptacle



- * JTIH-...
- ** JTIY-...
- MS27478Y..D...
- *** JTSIY-...
- MS27503Y..E...

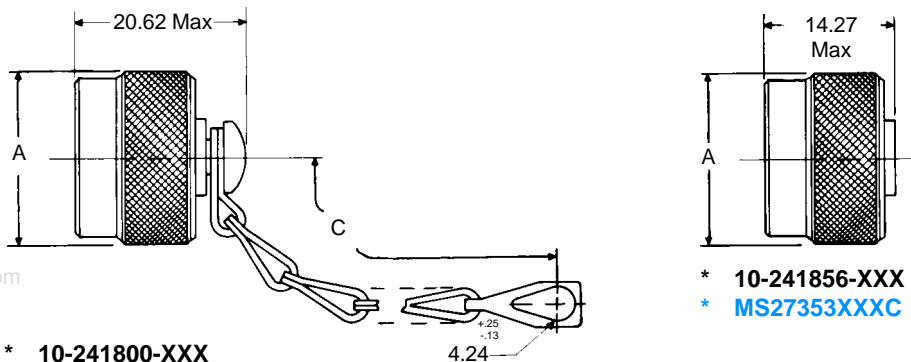
- * To complete order number, see "How to order" pages
- ** Interfacial water seal
- *** High temperature version. interfacial water seal with stainless steel shell

Shell Size	L +.28 -.25	KK +.03 -.13	GG +.28 -.25	N +.03 -.13
8	1.98	14.27	17.45	12.01
10	1.98	17.07	20.24	14.99
12	1.98	19.84	23.01	19.05
14	1.98	23.01	26.19	22.22
16	1.98	26.19	29.36	25.40
18	1.98	29.36	32.54	28.58
20	1.98	31.75	34.93	31.75
22	2.72	34.93	38.10	34.93
24	2.72	38.10	41.28	38.10

All dimensions for reference only

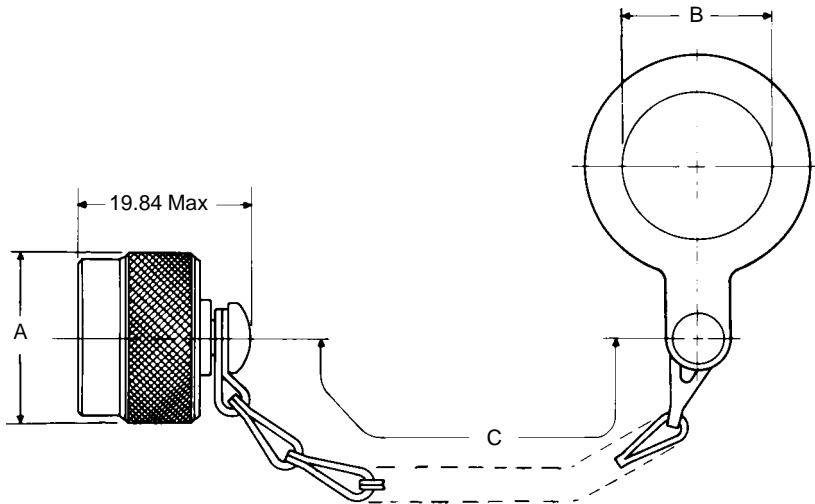
JT MS25711, MS27353 PAN 6433-IM

Receptacle protection cap



- * 10-241800-XXX
- * MS27511XXXC
- * PAN 6433-IMB

- * 10-241856-XXX
- * MS27353XXXC



- * 10-241802-XXX
- * PAN 6433-IMA

For MS stamping identification, accessories must be ordered by MS part number. If ordered by 10-part number, they will be stamped with said number.

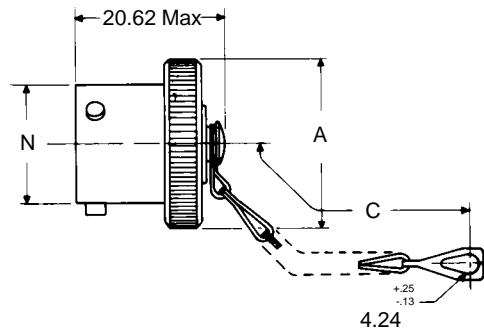
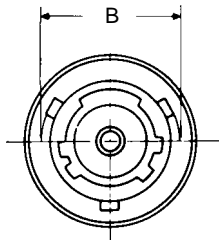
* To complete order number, add shell size and suffix number.
For example, shell size 10 with cadmium plate, nickel base, 10-241800-107, MS27511A10C or MS27353A10.

Shell Size	A Dia Max	B +.25 -0.00	C Approx
8	18.26	22.63	76.00
10	21.44	25.81	76.00
12	25.40	28.98	89.00
14	28.58	32.16	89.00
16	31.75	35.33	89.00
18	34.93	38.51	89.00
20	38.10	41.68	102.00
22	41.28	44.86	102.00
24	44.45	48.03	102.00

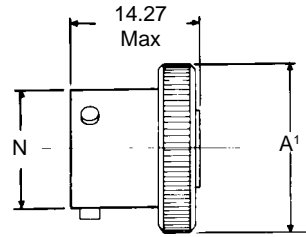
Finish	10-No. Suffix	MS No. Suffix With Chain	MS No. Suffix Without Chain
Chromate treat	-XX0		
Anodic coating	-XX5	CXXC	
Cadmium plate nickel base	-XX7	AXXC	AXX
Olive Drab, Cadmium, nickel base	-XX9	BXXC	BXX
Electroless nickel	-XXG	FXXC	FXX

JT MS27501 PAN 6433-IM

Plug protection cap



- * 10-241801-XXX
- * MS27501XXXC
- * PAN 6433-IMF



For MS stamping identification, accessories must be ordered by MS part number. If ordered by 10-part number, they will be stamped with said number.

* To complete order number, add shell size and suffix number.
For example, shell size 10 with cadmium plate, nickel base, 10-241801-107, MS27510A10C or MS27352A10.

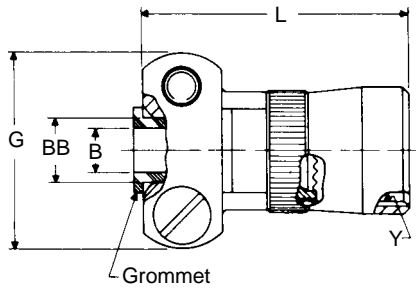
Shell Size	A Dia Max	A ¹ Dia Max	B +.00 - .41	C Approx	N Nia +.03 - .13
8	18.26	17.86	14.30	76.00	12.01
10	21.44	21.03	17.27	76.00	14.99
12	25.40	24.99	21.82	89.00	19.05
14	28.58	28.17	24.99	89.00	22.23
16	31.75	31.34	28.14	89.00	25.40
18	34.93	34.52	31.32	89.00	28.58
20	38.10	37.69	34.49	102.00	31.75
22	41.23	40.87	37.67	102.00	34.93
24	44.45	44.04	40.89	102.00	38.10

Finish	10-No. Suffix	MS No. Suffix With Chain	MS No. Suffix Without Chain
Chromate treat	-XX0		
Anodic coating	-XX5	CXXC	CXX
Cadmium plate nickel base	-XX7	AXXC	AXX
Olive Drab, Cadmium, nickel base	-XX9	BXXC	BXX
Electroless nickel	-XXG	FXXC	FXX

All dimensions for reference only

JT/LJT MS27506 HE309-11

Cable Clamp



- * 10-405982-...
- * MS27506...-2 or M85049/49...
- * HE309-11-...

* To complete order number, add shell size and suffix number.
For example, shell size 10 with cadmium plate, nickel base, 10-405982-107, or M85049/49-2-10W.

Finish	10-No. Suffix	MS27506 Suffix	M85049/49 Suffix
Chromate treat	-XX0		NA
Anodic coating	-XX5	CXX-2	NA
Cadmium plate nickel base	-XX7	AXX-2	NA
Olive Drab, Cadmium, nickel base	-XX9	BXX-2	(-2-XXW)
Electroless nickel	-XXG	FXX-2	NA

Shell Size	G Max	L Max	Y		BB Dia +.00 -.28	Screw Size	B Dia +.25 -.64
			Thread Size Class 2B	(Modified) Modified Minor Dia			
8/9	19.69	24.99	.4375-28UNEF	.399-.405	6.35	6-32UNC	3.18
10/11	21.26	24.99	.5625-24UNEF	.524-.529	7.92	6-32UNC	4.78
12/13	24.46	24.99	.6875-24UNEF	.649-.654	11.13	6-32UNC	7.92
14/15	27.61	31.34	.8125-20UNEF	.766-.771	14.27	6-32UNC	9.53
16/17	29.21	31.34	.9375-20UNEF	.891-.896	15.88	6-32UNC	12.70
18/19	35.56	31.34	1.0625-18UNEF	1.002-1.007	19.05	8-32UNC	15.88
20/21	35.56	31.34	1.1875-18UNEF	1.135-1.140	19.05	8-32UNC	15.88
22/23	40.31	34.52	1.3125-18UNEF	1.252-1.257	23.83	8-32UNC	19.05
24/25	42.70	34.52	1.4375-18UNEF	1.377-1.382	25.40	8-32UNC	20.32

All dimensions for reference only