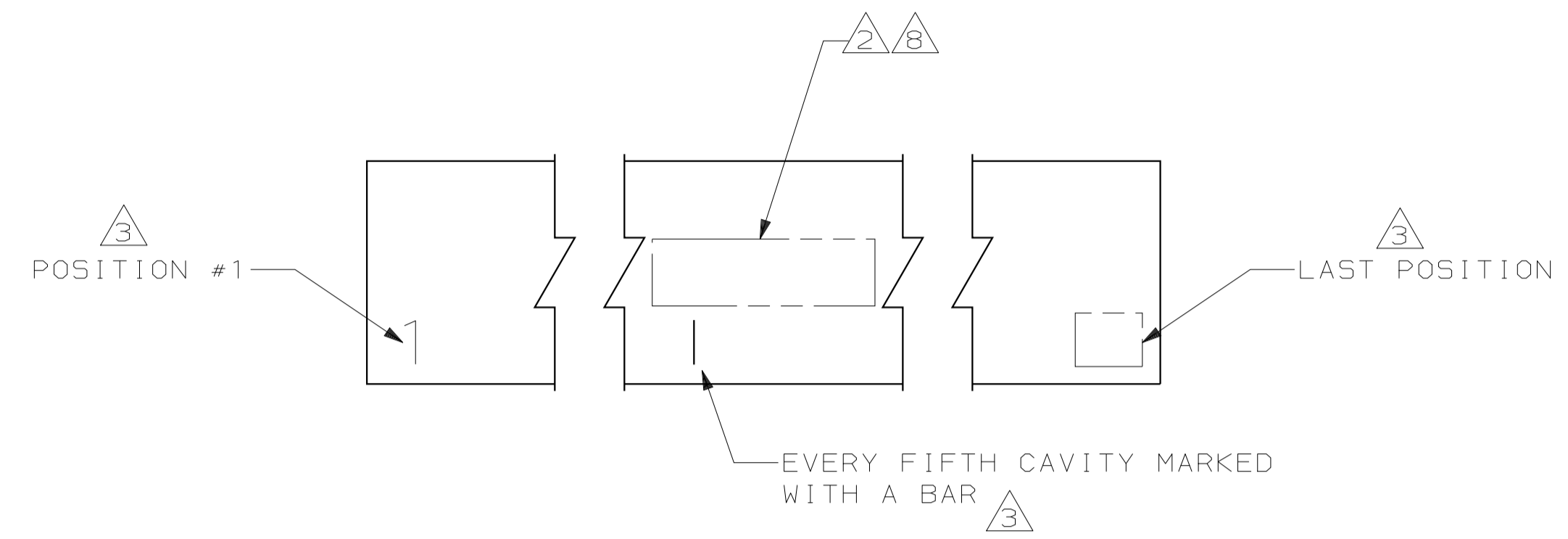
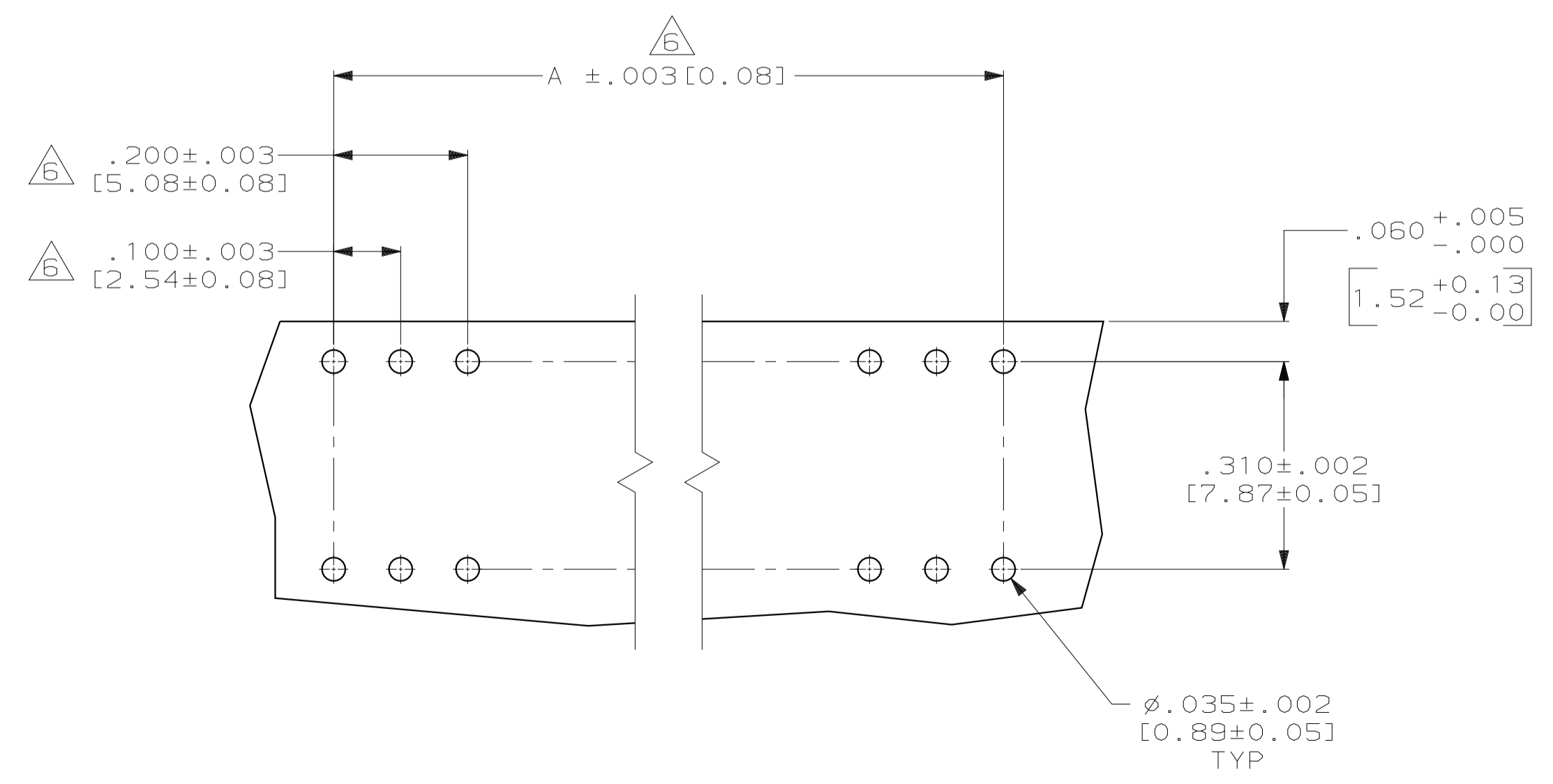
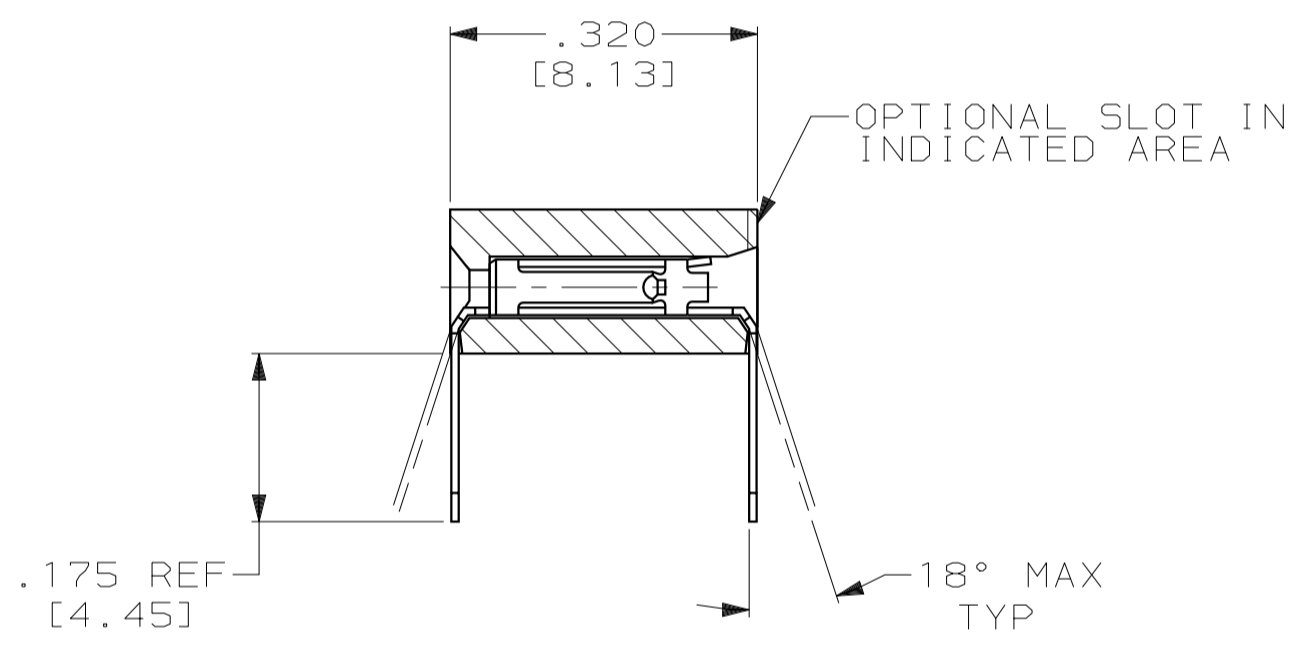
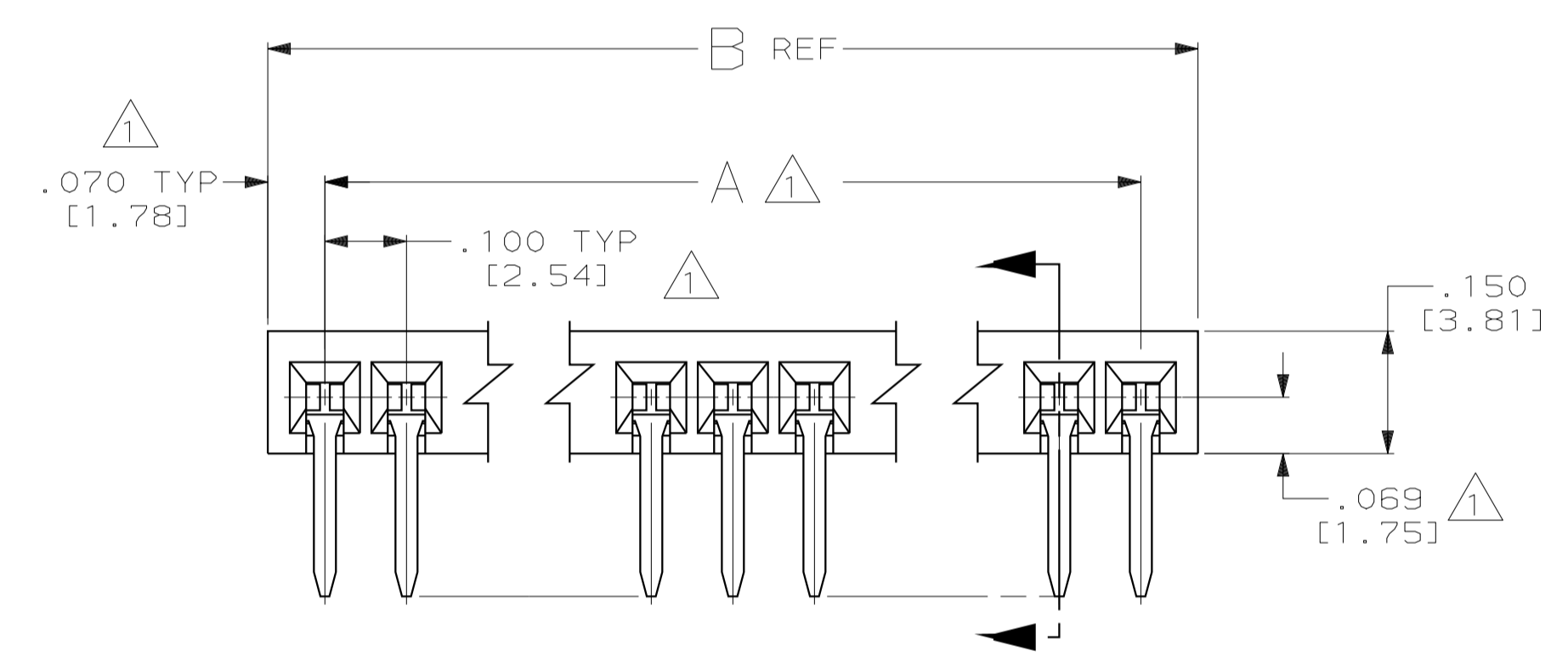


LOC	DIST	REV	DATE	BY	CHK	APPV
DF	ZO	H	8-25-04	CT	DN	



- 1 THESE DIMENSIONS PERTAIN TO CAVITY CENTERLINES ONLY, NOT TO CONTACT LOCATIONS.
- 2 WHEN PART IS PHYSICALLY TOO SMALL FOR THIS INFORMATION (SMALLER THAN 10 POSN) MARK AS FOLLOWS:
 2, 3 & 4 POSN - "AMP" ONLY
 5 THRU 9 POSN - MILITARY PART NO ONLY
- 3 MARK .062±.015 (1.57±0.38) HIGH CHARACTERS AS SHOWN.
- 4. QUALITY CONFORMANCE INSPECTION PER MIL-C-55302. GROUP A, B & C.
- 5. PACKAGED PER MIL-C-55302.
- 6 TOLERANCE NON-CUMULATIVE.
- 7. MARK "CSA" LOGO ON PART.
- 8 MILITARY PART NUMBER (SEE TABLE), AMP AND DATE CODE MARKED .062±.015 (1.57±0.38) HIGH CHARACTERS IN APPROXIMATE AREA SHOWN.
- 9 HOUSING MATERIAL: DIALLYL PHTHALATE, COLOR: BLUE.
 CONTACT MATERIAL: PHOSPHOR BRONZE.
- 10 CONTACT FINISH: .000050 [0.00127] GOLD OVER NICKEL.



RECOMMENDED P.C. BOARD HOLE LAYOUT

THIS DRAWING IS A CONTROLLED DOCUMENT.		DWN T. ALEXANDER 6-17-96	AMP Incorporated Harrisburg, PA 17105-3608	
DIMENSIONS: INCHES [mm]		CHK G. ALTEMOSE 11-8-96	NAME HOUSING ASSEMBLY, MOD II, SINGLE ROW, .100 C	
TOLERANCES UNLESS OTHERWISE SPECIFIED:		APP'D G. ALTEMOSE 11-8-96	DRAWING NO A1 00779 C-102275	
0 PLC ±-	1 PLC ±-	PRODUCT SPEC	SIZE	CAGE CODE
2 PLC ±-	3 PLC ±.010 [0.25]	APPLICATION SPEC	SCALE	SHEET
4 PLC ±-	ANGLES ±-	WEIGHT	5:1	1 OF 2
MATERIAL	FINISH	CUSTOMER DRAWING	REV	H

M55302/127-653B	6.540 [166.12]	6.400 [162.56]	65	6-102275-4
M55302/127-643B	6.440 [163.58]	6.300 [160.02]	64	6-102275-3
M55302/127-633B	6.340 [161.04]	6.200 [157.48]	63	6-102275-2
M55302/127-623B	6.240 [158.50]	6.100 [154.94]	62	6-102275-1
M55302/127-613B	6.140 [155.96]	6.000 [152.40]	61	6-102275-0
M55302/127-603B	6.040 [153.42]	5.900 [149.86]	60	5-102275-9
M55302/127-593B	5.940 [150.88]	5.800 [147.32]	59	5-102275-8
M55302/127-583B	5.840 [148.34]	5.700 [144.78]	58	5-102275-7
M55302/127-573B	5.740 [145.80]	5.600 [142.24]	57	5-102275-6
M55302/127-563B	5.640 [143.26]	5.500 [139.70]	56	5-102275-5
M55302/127-553B	5.540 [140.72]	5.400 [137.16]	55	5-102275-4
M55302/127-543B	5.440 [138.18]	5.300 [134.62]	54	5-102275-3
M55302/127-533B	5.340 [135.64]	5.200 [132.08]	53	5-102275-2
M55302/127-523B	5.240 [133.10]	5.100 [129.54]	52	5-102275-1
M55302/127-513B	5.140 [130.56]	5.000 [127.00]	51	5-102275-0
M55302/127-503B	5.040 [128.02]	4.900 [124.46]	50	4-102275-9
M55302/127-493B	4.940 [125.48]	4.800 [121.92]	49	4-102275-8
M55302/127-483B	4.840 [122.94]	4.700 [119.38]	48	4-102275-7
M55302/127-473B	4.740 [120.40]	4.600 [116.84]	47	4-102275-6
M55302/127-463B	4.640 [117.86]	4.500 [114.30]	46	4-102275-5
M55302/127-453B	4.540 [115.32]	4.400 [111.76]	45	4-102275-4
M55302/127-443B	4.440 [112.78]	4.300 [109.22]	44	4-102275-3
M55302/127-433B	4.340 [110.24]	4.200 [106.68]	43	4-102275-2
M55302/127-423B	4.240 [107.70]	4.100 [104.14]	42	4-102275-1
M55302/127-413B	4.140 [105.16]	4.000 [101.60]	41	4-102275-0
M55302/127-403B	4.040 [102.62]	3.900 [99.06]	40	3-102275-9
M55302/127-393B	3.940 [100.08]	3.800 [96.52]	39	3-102275-8
M55302/127-383B	3.840 [97.54]	3.700 [93.98]	38	3-102275-7
M55302/127-373B	3.740 [95.00]	3.600 [91.44]	37	3-102275-6
MILITARY PART NUMBER	B	A	NO OF POSN	PART NUMBER

M55302/127-363B	3.640 [92.46]	3.500 [88.90]	36	3-102275-5
M55302/127-353B	3.540 [89.92]	3.400 [86.36]	35	3-102275-4
M55302/127-343B	3.440 [87.38]	3.300 [83.82]	34	3-102275-3
M55302/127-333B	3.340 [84.84]	3.200 [81.28]	33	3-102275-2
M55302/127-323B	3.240 [82.30]	3.100 [78.74]	32	3-102275-1
M55302/127-313B	3.140 [79.76]	3.000 [76.20]	31	3-102275-0
M55302/127-303B	3.040 [77.22]	2.900 [73.66]	30	2-102275-9
M55302/127-293B	2.940 [74.68]	2.800 [71.12]	29	2-102275-8
M55302/127-283B	2.840 [72.14]	2.700 [68.58]	28	2-102275-7
M55302/127-273B	2.740 [69.60]	2.600 [66.04]	27	2-102275-6
M55302/127-263B	2.640 [67.06]	2.500 [63.50]	26	2-102275-5
M55302/127-253B	2.540 [64.52]	2.400 [60.96]	25	2-102275-4
M55302/127-243B	2.440 [61.98]	2.300 [58.42]	24	2-102275-3
M55302/127-233B	2.340 [59.44]	2.200 [55.88]	23	2-102275-2
M55302/127-223B	2.240 [56.90]	2.100 [53.34]	22	2-102275-1
M55302/127-213B	2.140 [54.36]	2.000 [50.80]	21	2-102275-0
M55302/127-203B	2.040 [51.82]	1.900 [48.26]	20	1-102275-9
M55302/127-193B	1.940 [49.28]	1.800 [45.72]	19	1-102275-8
M55302/127-183B	1.840 [46.74]	1.700 [43.18]	18	1-102275-7
M55302/127-173B	1.740 [44.20]	1.600 [40.64]	17	1-102275-6
M55302/127-163B	1.640 [41.66]	1.500 [38.10]	16	1-102275-5
M55302/127-153B	1.540 [39.12]	1.400 [35.56]	15	1-102275-4
M55302/127-143B	1.440 [36.58]	1.300 [33.02]	14	1-102275-3
M55302/127-133B	1.340 [34.04]	1.200 [30.48]	13	1-102275-2
M55302/127-123B	1.240 [31.50]	1.100 [27.94]	12	1-102275-1
M55302/127-113B	1.140 [28.96]	1.000 [25.40]	11	1-102275-0
M55302/127-103B	1.040 [26.41]	.900 [22.86]	10	102275-9
M55302/127-093B	.940 [23.88]	.800 [20.32]	9	102275-8
M55302/127-083B	.840 [21.34]	.700 [17.78]	8	102275-7
M55302/127-073B	.740 [18.80]	.600 [15.24]	7	102275-6
M55302/127-063B	.640 [16.27]	.500 [12.70]	6	102275-5
M55302/127-053B	.540 [13.72]	.400 [10.16]	5	102275-4
M55302/127-043B	.440 [11.18]	.300 [7.62]	4	102275-3
M55302/127-033B	.340 [8.64]	.200 [5.08]	3	102275-2
M55302/127-023B	.240 [6.10]	.100 [2.54]	2	102275-1
MILITARY PART NUMBER	B	A	NO OF POSN	PART NUMBER

THIS DRAWING IS A CONTROLLED DOCUMENT.		DWN T. ALEXANDER 6-17-96	AMP Incorporated Harrisburg, PA 17105-3608	
DIMENSIONS: INCHES		CHK G. ALTEMOSE 11-8-96	NAME G. ALTEMOSE 11-8-96	
TOLERANCES UNLESS OTHERWISE SPECIFIED:		PRODUCT SPEC		
0 PLC	±	APPLICATION SPEC		
1 PLC	±	WEIGHT		
2 PLC	±	SCALE		
3 PLC	±	SHEET		
4 PLC	±	REV		
ANGLES	±	CUSTOMER DRAWING		
MATERIAL	FINISH	SIZE A1	CAGE CODE 00779	DRAWING NO C-102275
		SCALE 5:1		SHEET 2 OF 2