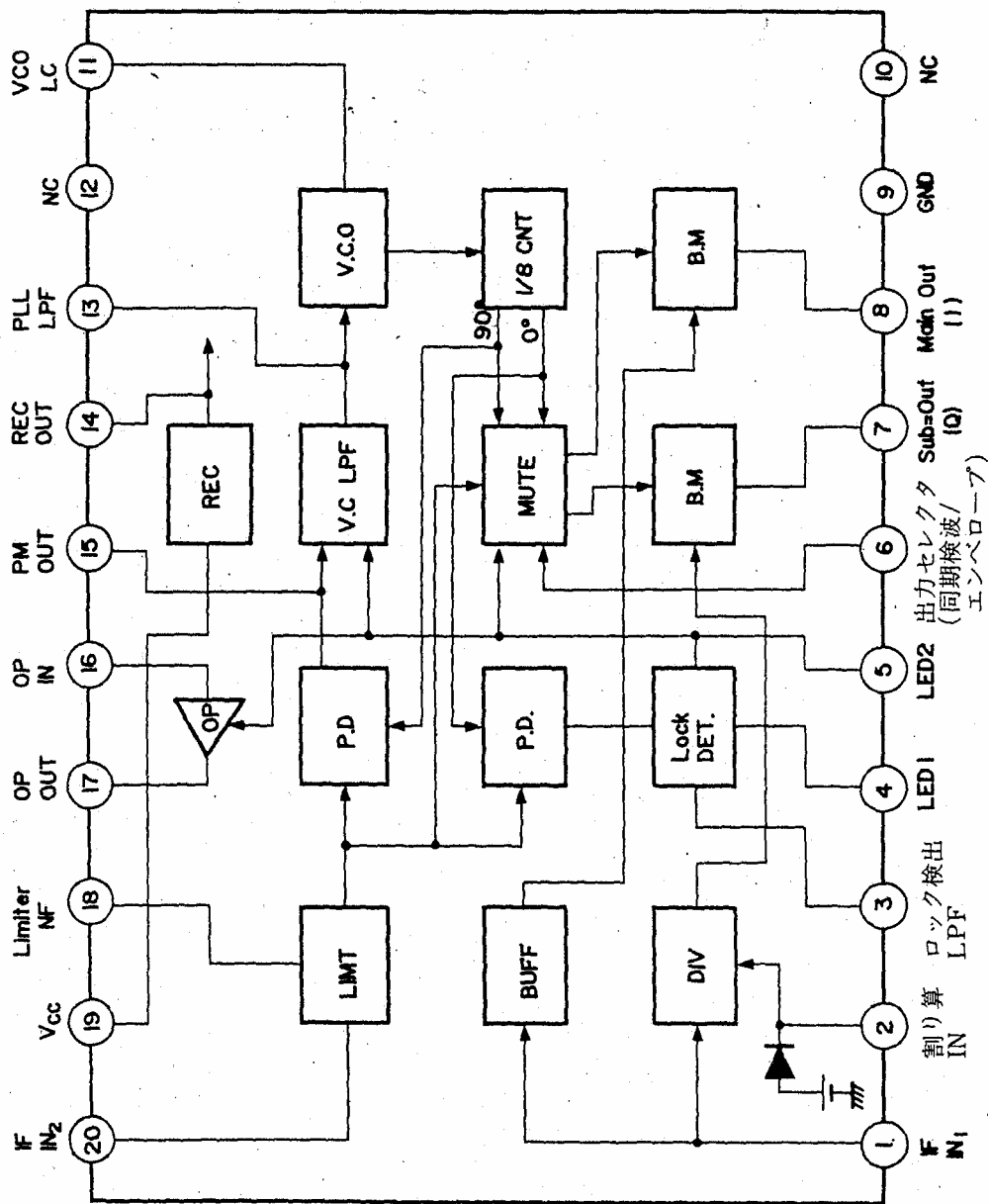


ブロック図



- DIV: Divider
- P.D.: Phase Detector
- B.M.: Balanced Modulator
- LIMT: Limiter
- Op: Operational Amp
- REG: Regulator
- V.C.O.: Voltage Controlled Oscillator
- CNT: Counter
- LPF: Low Pass Filter
- PLL: Phase Locked Loop

出力セレクト (同期検波/エンベロープ)  
 Main Out (I)  
 Sub-Out (Q)

