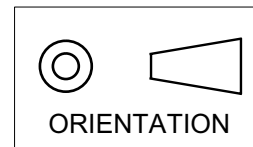
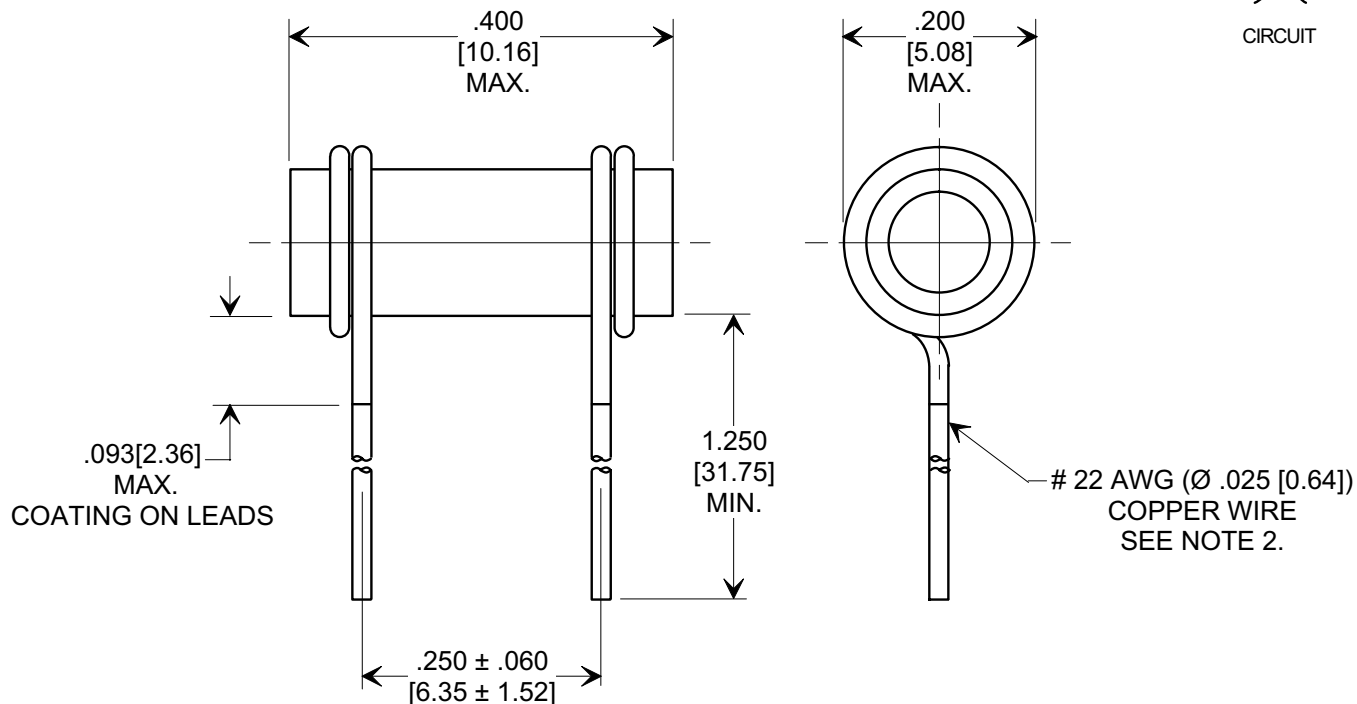
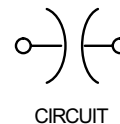


MARKETING SALES DRAWING
DIMENSIONS IN INCHES - DO NOT SCALE THIS DRAWING
DIMENSIONS IN METRIC - []

This drawing is the property of Tusonix, Inc., and may not be used, reproduced, published or disclosed to others without expressed authorization by Tusonix Inc.



Electrical Testing
per Tusonix standard
test plans and Mil-Std-202
Test Methods.



SPECIFICATIONS

TUSONIX STYLE	301-000
Value:	.5 pF
Value Tol.:	± .25 pF
Temp. Coef.:	COK
Operating Range:	-55°C TO 85°C
IR min @ 100 vdc	50 GΩ
Voltage:	Working: 500 vdc
	Test: 1500 vdc
	Life: 1000 vdc
Marking:	Standard Color Code

NOTES:

- TUSONIX STANDARD PART NUMBER: 301-000-C0K0-508C.
TUSONIX RoHS COMPLIANT PART NUMBER: 301-000-C0K0-508C LF.
CUSTOMER MUST SPECIFY STANDARD OR RoHS PART NUMBER WHEN ORDERING.
- LEAD MATERIAL: STANDARD PART #: 22 AWG. 60/40 SOLDER PLATED COPPER WIRE.
RoHS PART #: 22 AWG. 100% TIN PLATED COPPER WIRE.
- PART MARKING: STANDARD PART: STANDARD CC. RoHS PART: STANDARD CC PLUS ADDITIONAL GREEN DOT ON SIDE.
- CLEAR LACQUER COATING.

REVISION RECORD	Original Release	0
	C.O. 20000403-3-01	
	METRIC DIM'S, CIRCUIT, SYMBOL ORIENTATION	
	ADDED SPEC. TABLE REVISED L.E. 09-03-03	
	20030902-4-01	1
	ADDED AND REVISED NOTES. S.M. 05-24-06	
	20060517-6-04	2

--TOLERANCES-- Unless Otherwise Specified	Title CLEAR ENAMEL COATED TUBULAR CAPACITOR	
DECIMAL ±	Drawn S.M. 04-04-00	Scale X 5
ANGLES ±	Approved T.C. 04-04-00	
TUSONIX TUCSON, ARIZONA	A	301-000-C0K0-508C