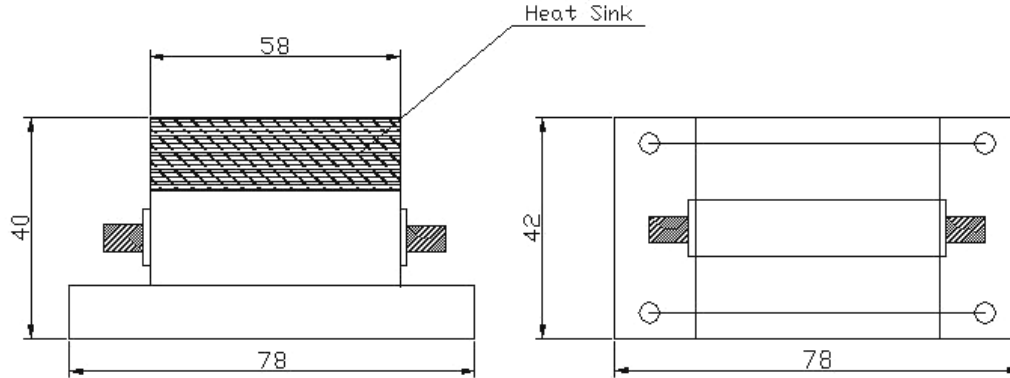


Amplifier

P/N: JXWBLA-T-52-88-28

Frequency Range(MHz)	52-88
Gain(dB)	28 Typ.
Gain Flatness(dB)	±1 max
Pout@1dB(dBm)	+30
Noise Figure(dB)	5 Typ.
IP3(dBm)	42 max
VSWR	2.0:1 max
Power Voltage(V)	+15 DC
Current(mA)	700 Typ.
Impedance(Ohms)	50
Connector	BNC-Female
Environmental Specification	Heat Sink
Operating Temperature(°C)	-40 ~ +70
Net Weight(Kg)	0.215 Around

Outline Drawing (Size: mm)



For current data sheets, please contact: sales@aacix.com