

PLEASE CHECK WWW.MOLEX.COM FOR LATEST PART INFORMATION

Part Number: [0357501810](#)
Status: **Active**
Description: Ring Tongue Terminal for 9-14 AWG (2.20~6.70mm²), Stud Size 10 M5, Tin Plating

Documents:

[Drawing \(PDF\)](#) [RoHS Certificate of Compliance \(PDF\)](#)
[Product Specification PS-35750-005 \(PDF\)](#)

General

Product Family	Ring and Spade Terminals
Series	35750
Crimp Quality Equipment	Yes
Mil-Spec	N/A
Product Name	N/A
Type	Ring

Physical

Barrel Type	Open
Insulation	None
Material - Plating Mating	Tin
Packaging Type	Reel
Plating min: Mating (µin)	40
Plating min: Mating (µm)	1
Plating min: Termination (µin)	40
Plating min: Termination (µm)	1
Stud Size	10 (M5)
Temperature Range - Operating	-40°C to +105°C
Termination Interface: Style	Crimp or Compression
Wire Insulation Diameter	5.00mm (.197") max.
Wire Size AWG	10, 12, 14
Wire Size mm ²	2.20 - 6.70

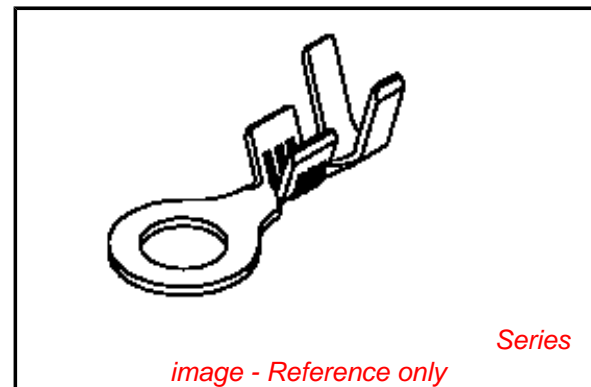
Electrical

Voltage - Maximum	300V AC
-------------------	---------

Material Info

Reference - Drawing Numbers

Product Specification	PS-35750-005
Sales Drawing	SD-35750-18*0



EU RoHS

**ELV and RoHS
Compliant**
**REACH SVHC
Contains SVHC: No**
**Halogen-Free
Status**

China RoHS



**Need more information on product
environmental compliance?**

Email productcompliance@molex.com
 For a multiple part number RoHS Certificate of Compliance, [click here](#)

Please visit the [Contact Us](#) section for any non-product compliance questions.

Search Parts in this Series
[35750Series](#)

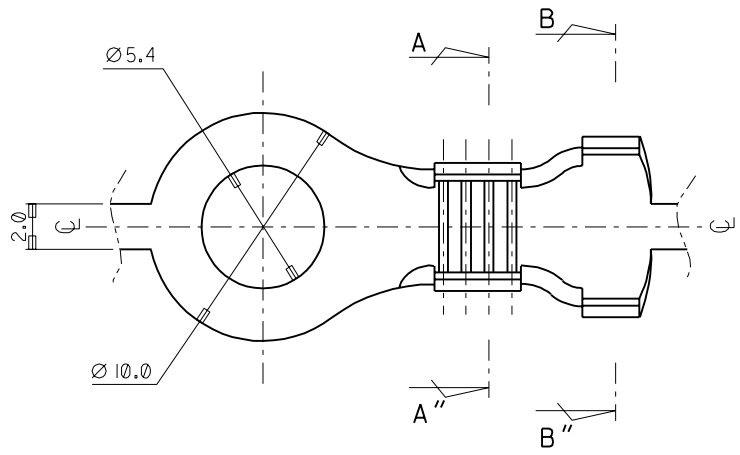
DO NOT SCALE DRAWING DIMENSION IN METRIC

PROJECT NO. ∅ 5.4 RING TM'L

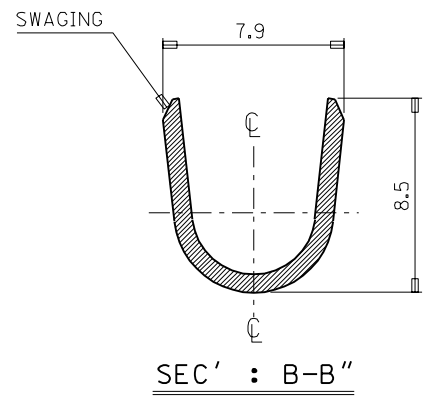
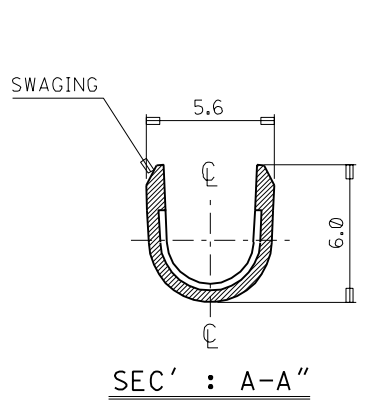
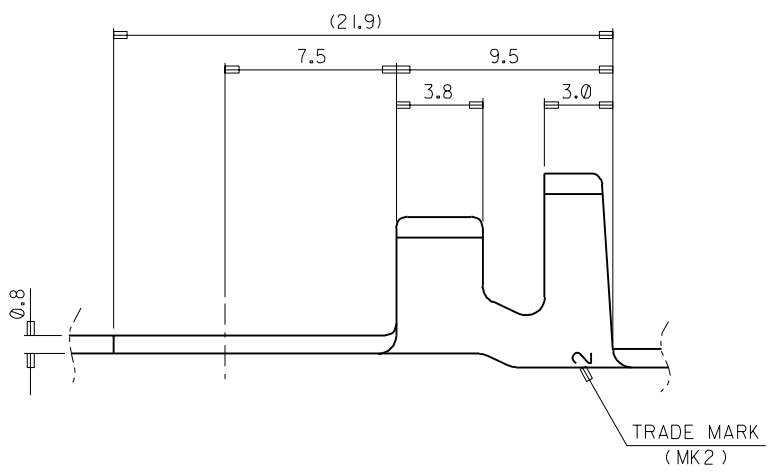
SIMILAR ITEM

EDP NO.

ENG. NO SD 35750-18*0



- NOTES
1. MATERIAL : BRASS , 0.8mm THICKNESS
 2. FINISH : 35750-1800 : UNPLATED
35750-1810 : POST PLATED TIN
35750-1840 : POST PLATED TIN-LEAD
 3. RECOMMENDED LENGTH OF WIRE STRIP IS 5.6-6.2mm.



ASS'Y PART		QTY/REEL OR PACK	SURFACE AREA	MATERIAL	SEE NOTES	WIRE RANGE	GENERAL TOLERANCES	molex MOLEX-KOREA CO.,LTD.			
DESCRIPTION	ENG.NO.	2,000 D'TY /REEL	MM ²			AWG: #14-#9	DIM. : +0.30				
C	REVISED	93-023	93 11.3			MM ² : 2.2-6.7 <th>ANGLE : +0.20</th> <td rowspan="2">REVISION RECORD</td>	ANGLE : +0.20	REVISION RECORD			
B	REVISED	93-019	93 8.17			INSULATION RANGE	TITLE: ∅ 5.4 RING TM'L				
A	CAD REDRAWING	93-016	93 7.12				ENG.NO. SD 35750-18*0	1 of 1			
LTR	REVISION RECORD	ECN	DR/CHK	DATE	DIE FEED	APPL FEED 24.00	WBDW	IBDW	APP'D BY	SCALE 5/1	REV C