

C5100 Series

5000 WATTS (AC) DC/DC SINGLE OUTPUT



Selection Tables

5KW (DC/DC)				Output	
Input Vdc			OutputAmps	Vdc	Adj. Range
320-380Vdc	320-640Vdc	450-800Vdc			
C5184Z	C5174G	C5174K	100	24	23-26
C5185Z	C5175G	C5175K	100	28	26-30
C5189Z	C5179G	C5179K	91	48	45-55
C5186Z	C5176G	C5176K	74	60	58-68
C5187Z	C5177G	C5177K	39	110	100-130
C5187ZJ	C5177GJ	C5177KJ	25	200	190-200

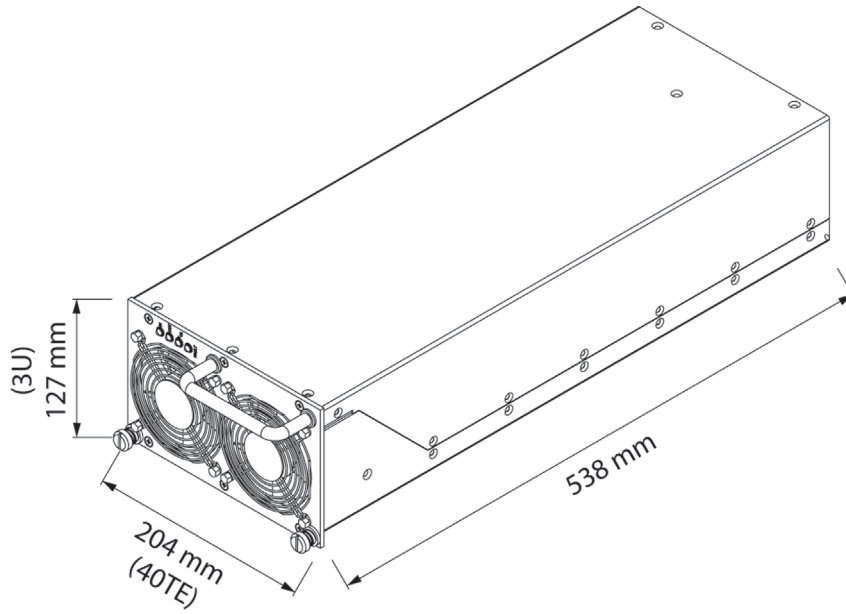
5KW (AC/DC)			Output	
Input Vac, 3 Phase		OutputAmps	Vdc	Adj. Range
3x400(+15%, -20%)	3x480(+10%, -15%)			
C5184V	C5174V	100	24	23-26
C5185V	C5175V	100	28	26-30
C5189V	C5179V	91	48	45-55
C5186V	C5176V	74	60	58-68
C5187V	C5177V	39	110	100-130
C5187VJ	C5177VJ	25	200	190-200

C5100 Series

5000 WATTS (AC) DC/DC SINGLE OUTPUT

Technical Illustrations

C1500-3U
Approx 17kg



C1500-5U
Approx 17kg

