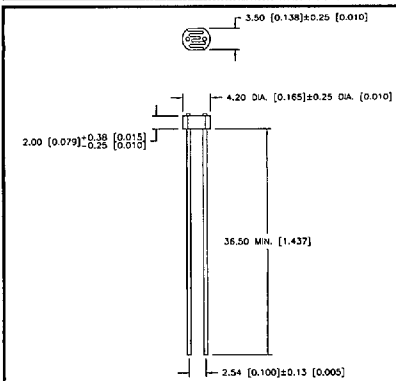
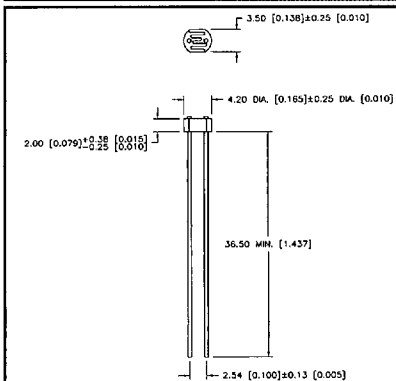


OED-PCC-9P5-2



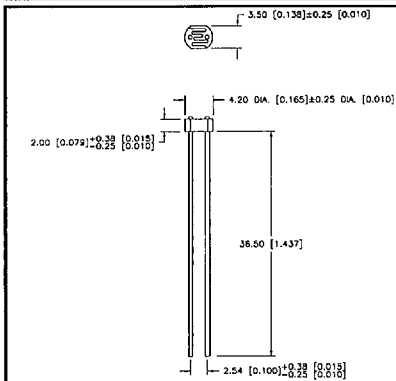
Package Style	AC (V) Max	Measurement (Volts)	λ P (nm) Response	Resistance K θ @ 10 Lux		Dark Resistance M θ Min After 2 sec.	t-opr (°C)
				Min	Max		
T4.2 Ceramic	100	10	550	11	27	0.1	-25 ~ + 75

OED-PCC-9P5-3



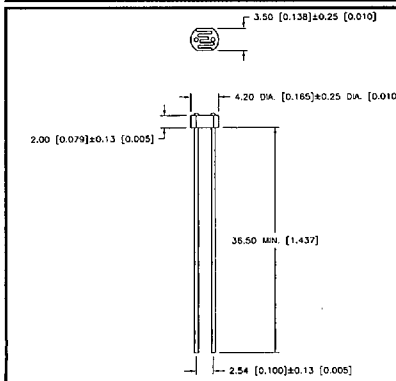
Package Style	AC (V) Max	Measurement (Volts)	λ P (nm) Response	Resistance K θ @ 10 Lux		Dark Resistance M θ Min After 2 sec.	t-opr (°C)
				Min	Max		
T4.2 Ceramic	100	10	550	3	11	0.1	-25 ~ + 75

OED-PCC-9P5-1L



Package Style	AC (V) Max	Measurement (Volts)	λ P (nm) Response	Resistance K θ @ 10 Lux		Dark Resistance M θ Min After 2 sec.	t-opr (°C)
				Min	Max		
T4.2 Ceramic	100	10	550	25	60	2.0	-25 ~ + 75

OED-PCC-9P5-1H



Package Style	AC (V) Max	Measurement (Volts)	λ P (nm) Response	Resistance K θ @ 10 Lux		Dark Resistance M θ Min After 2 sec.	t-opr (°C)
				Min	Max		
T4.2 Ceramic	100	10	550	50	94	3.0	-25 ~ + 75